



### UNIDIRECTIONAL MICROPHONE

The Shure Models 515BSLG24F and 515BSLG27F are dynamic (moving coil), low-impedance, cardioid (unidirectional) microphones, each threaded on a black gooseneck with a black mounting flange. These models are especially suitable for use in communications, paging, and talkback systems. The cardioid pickup pattern provides excellent voice reproduction with effective rejection of feedback and background noise. The slide switch sets the microphone's audio and relay circuit on or off, and the integral gooseneck permits hands-free operation. The attached four conductor cable (two conductors shielded) extends 1.2m (4 ft.) from the mounting flange and terminates in a female 4-pin XLR connector.

### FEATURES

- *Rolled-off low-frequency response combined with a smooth high-frequency rise for clear and intelligible voice pickup*
- *Symmetrical cardioid pickup pattern minimizes feedback*
- *Shock-mounted cartridge for quiet operation and low stand/handling noise*
- *Neodymium magnet for high signal-to-noise ratio*
- *Heavy-duty zinc, die-cast, locking, metal grille protects cartridge and resists wear*
- *Built-in slide switch controls both microphone circuit and relay or control circuit*
- *Backed by the Shure 2-year warranty*

### VARIATIONS

**515BSLG24F:** includes a 609mm (24 in.) black gooseneck and 76.2 mm (3 in.) black mounting flange. Cable has 4 pin XLR female connector.

**515BSLG27F:** includes a 686mm (27 in.) black gooseneck and 76.2 mm (3 in.) black mounting flange. Cable has 4 pin XLR female connector.

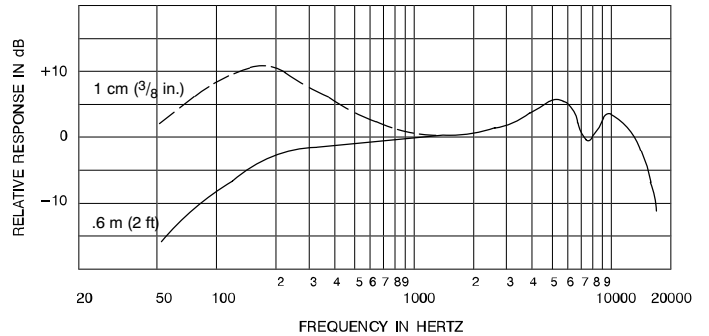
### SPECIFICATIONS

#### Type

Dynamic (moving coil)

### FREQUENCY RESPONSE (FIGURE 1)

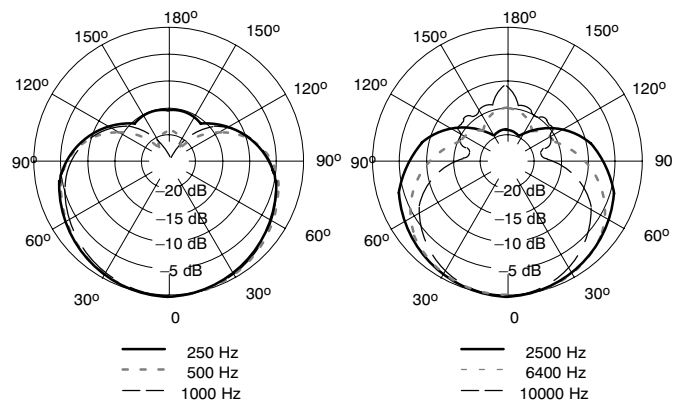
80 to 15,000 Hz



TYPICAL FREQUENCY RESPONSE  
FIGURE 1

### POLAR PATTERN (FIGURE 2)

Cardioid (unidirectional). Effective rejection of sound at rear of microphone is uniform with frequency; front pickup characteristics are symmetrical about axis.



TYPICAL POLAR PATTERN  
FIGURE 2

### IMPEDANCE

150  $\Omega$  rated (180  $\Omega$  actual)

### SENSITIVITY (AT 1,000 HZ)

#### LOZ

Open Circuit Voltage-57.0 dBV/Pa (1.4 mV)  
(1 Pa = 94 dB SPL)

## POLARITY

Positive pressure on diaphragm produces positive voltage on the RED lead with respect to the BLACK lead

## SWITCH

Built-in, double-pole double-throw slide switch. Lockplate to lock switch ON

## SHOCK MOUNT

Internal rubber vibration isolator

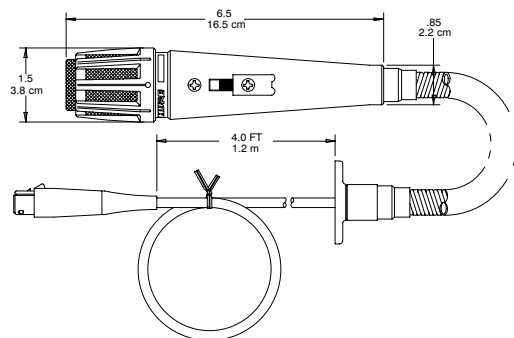
## CABLE

1.2 m (4 ft) extending from mounting flange, four conductors (two shielded), plastic jacketed and 4 pin female XLR connector.

## CASE

Black finish die casting with black enamel diecast grille and stainless steel screen

## DIMENSIONS (FIGURE 3)



OVERALL DIMENSIONS  
FIGURE 3

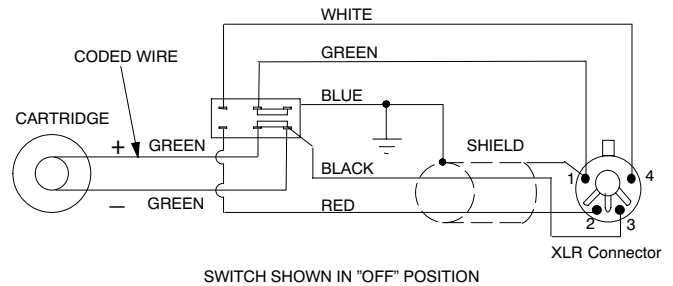
## NET WEIGHT

515BSLG24F: 1008 grams (35.5 oz)  
515BSLG27F: 1095 grams (38.5 oz)

## CERTIFICATION

Conforms to European Union directives, eligible to bear CE marking; meets European Union EMC Immunity Requirements (EN 50082-1, 1992).

## WIRING CONNECTIONS (FIGURE 4)



INTERNAL CONNECTIONS  
FIGURE 4

## MOUNTING

To mount the microphone on a flat surface, drill a 19mm (.75 in.) diameter hole for clearance of the XLR connector. Place the mounting flange over the hole and attach it to the surface using #8 screws (not included).

## FURNISHED ACCESSORIES

1.27 mm (.050 mm) Hex Wrench..... 80A67

## REPLACEMENT PARTS

Cartridge ..... R180  
Grille Assembly ..... RK334G  
Cable Assembly, 2.1 m (7 ft)..... 90B4640  
Gooseneck, 609 mm (24 in.)..... G24B  
Gooseneck, 686 mm (27 in.)..... G27B  
Black Mounting Flange..... A12B

## OPTIONAL ACCESSORIES

Black Heavy-Duty Mounting Flange..... A13HDB  
Windscreen ..... A1WS

For additional service or parts information, please contact Shure's Service department at 1-800-516-2525. Outside the United States, please contact your authorized Shure Service Center.

# SHURE®

SHURE Incorporated Web Address: <http://www.shure.com>  
5800 W. Touhy Avenue, Niles, IL 60714-4608, U.S.A.  
Phone: 800-257-4873 Fax: 847-600-1212  
In Europe, Phone: 49-7131-72140 Fax: 49-7131-721414  
In Asia, Phone: 852-2893-4290 Fax: 852-2893-4055  
Elsewhere, Phone: 847-600-2000 Fax: 847-600-6336