



522

Voice Communication Microphone

Table of Contents

522Voice Communication Microphone	3	Audio Connections	4
General Description	3	Unbalanced high-impedance operation:	4
Features	3	Balanced-line low-impedance operation:	4
Press-To-Talk Switch Operation	3	Specifications	5
Impedance Selection	4	Accessories	7
Logic Connections	4	Replacement Parts	7
		Certifications	7

522 Voice Communication Microphone

General Description



The Model 522 is a dynamic base-station microphone for radio communications, paging, and dispatching systems. Its cardioid (unidirectional) pickup pattern suppresses unwanted background noise from nearby dispatchers, ventilating equipment, or office machines. It also can reduce feedback in public address paging applications.

Features

- Dual impedance (19 to 300 ohms or High)
- Impedance change switch for convenient change-over
- Finger-tip control bar (locking or non-locking action) to actuate microphone circuit and an external relay or control circuit
- Long-life switch to satisfy rigorous requirements of communications and paging systems
- Sturdy, high impact ARMO-DUR[®], base and microphone case
- Adjustable microphone height
- Dependable under most operating conditions

Press-To-Talk Switch Operation

Press and hold the bar switch to talk. To lock the switch, press and pull it forward. To unlock the switch, move the bar back and release.

Impedance Selection

Use the switch located under the microphone base, near the cable entry, to select high (*HI*) or low (*LO*) impedance.

Use the low-impedance position for long cable lengths under conditions of severe hum disturbance. Use Shure Model A95 Series Line Matching Transformers when using a low-impedance microphone line with a high-impedance amplifier input.

Logic Connections

The RED and BLACK leads may be used to control an external relay or switching circuit.

Audio Connections

Unbalanced high-impedance operation:

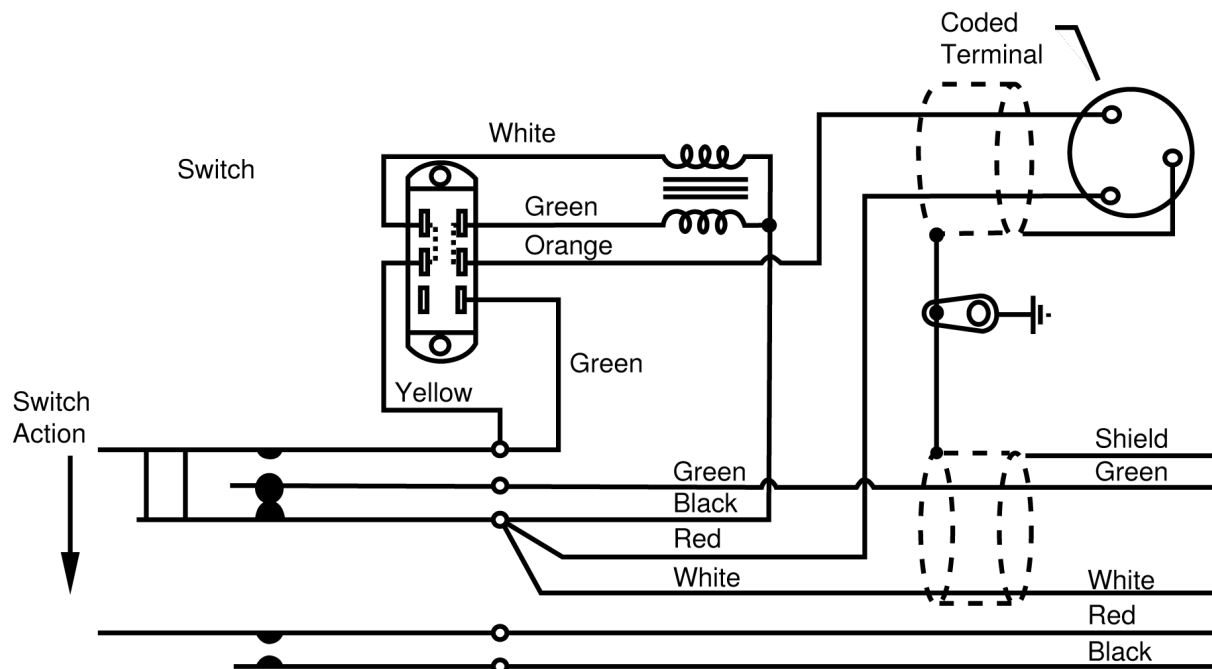
Set the impedance switch to the *HI* position (as shipped). Connect the GREEN cable lead and the shield to the amplifier chassis ground. The WHITE cable lead is the "hot" conductor.

Balanced-line low-impedance operation:

Set the impedance switch to the *LO* position. Connect the shield to the amplifier chassis ground. The WHITE and GREEN cable leads are the "hot" conductors.

Cable-to-Connector Wiring

Input Type	Wire Color	Function	XLR Connector	1/4 in. Phone Plug
Unbalanced	White	Audio	Pin 2	Tip
	Green	Audio Ground	Pin 3	Sleeve
	Shield	Chassis Ground	Pin 1	Sleeve
Balanced	White	Audio +	Pin 2	Tip
	Green	Audio -	Pin 3	Ring
	Shield	Chassis Ground	Pin 1	Sleeve



Specifications

Type

Dynamic (moving coil)

Frequency Response

60 to 11,000 Hz

Polar Pattern

Cardioid

Output Impedance

Dual. "Low" is 260 ohms for connection to microphone inputs rated at 19 to 300 ohms and "High" for connection to high-impedance microphone inputs.

Sensitivity

at 1kHz, open circuit voltage, dependent on impedance setting

LOW	-57.5 dB (1.3 mV)
HIGH	-38.5 dB (12 mV) ^[1]

Switch

Press-to-Talk Switch	lockable, for microphone and an external relay or control circuit. Microphone circuit normally shorted in both high and low impedance.
-----------------------------	--

**Impedance
Selection
Switch**

provides either high- or low-impedance operation.

Cartridge Shock Mount

Internal rubber vibration isolator

Cable

2.1 m (7 ft) four-conductor, two conductors shielded non-detachable

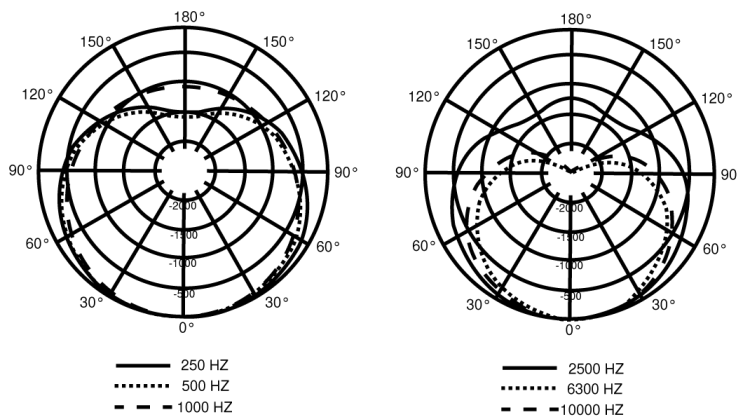
Housing

Two-tone gray ARMO-DUR, with dull-chrome-plated steel screen

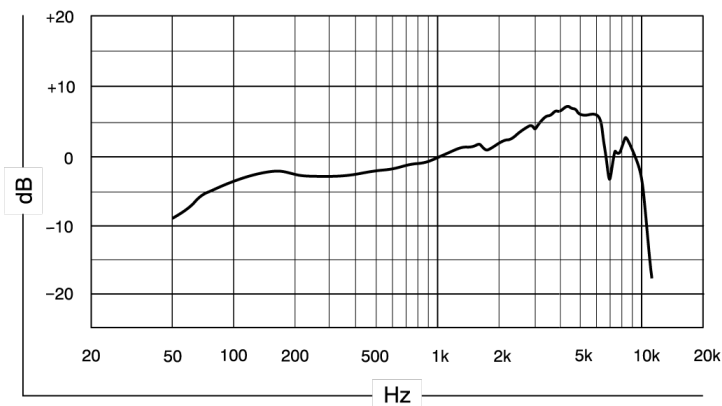
Weight

736 g (1 lb 10 oz.)

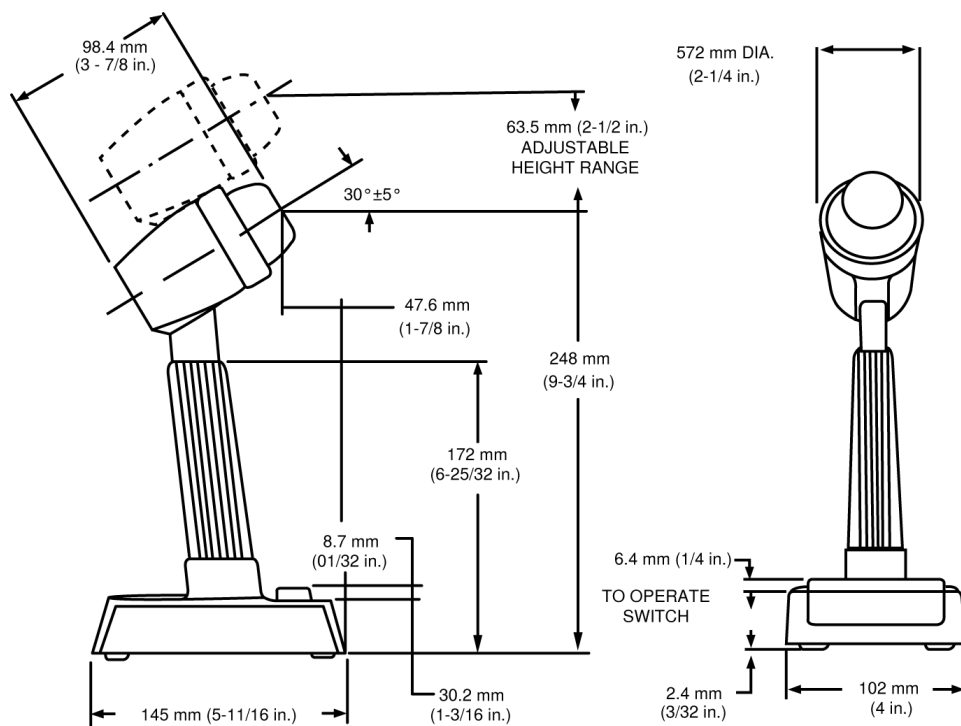
^[1]1 Pa = 94 dB SPL



Typical Polar Pattern



Typical Frequency Response



Overall Dimensions

Accessories

Replacement Parts

Cable	C31C
On-Off Switch	K141S

Certifications

This product meets the Essential Requirements of all relevant European directives and is eligible for CE marking.

The CE Declaration of Conformity can be obtained from: www.shure.com/europe/compliance

Authorized European representative:

Shure Europe GmbH

Headquarters Europe, Middle East & Africa

Department: EMEA Approval

Jakob-Dieffenbacher-Str. 12

75031 Eppingen, Germany

Phone: +49-7262-92 49 0

Fax: +49-7262-92 49 11 4

Email: info@shure.de