



GENERAL

The Shure Model 545L unidirectional dynamic microphone is a low-impedance unit designed for instrument or voice pickup in public address applications. With its attached cable, the microphone is suitable for mounting on an optional A25B swivel adapter, on a fixed pipe or flexible gooseneck, or for handheld use.

The 545L is ideal for use in critical public address systems such as those used in political conventions and legislatures, hotels, public auditoriums, stadiums, and churches. The microphone has an exceptionally uniform pickup pattern that provides an excellent solution to feedback problems in reverberant locations, permits best utilization of space in small studios, facilitates orchestral placement, and provides effective rejection of unwanted noises.

Features

- *Effective cardioid pickup pattern, uniform to low frequencies, minimizes reverberation and feedback, discriminates against pickup of nearby performers and extraneous noise*
- *Excellent reproduction of music and voice*
- *Shock-mounted cartridge for quiet operation*
- *Low impedance for unlimited cable length*
- *Provided with very flexible, small diameter shielded cable*
- *Rugged and dependable under all operating conditions*

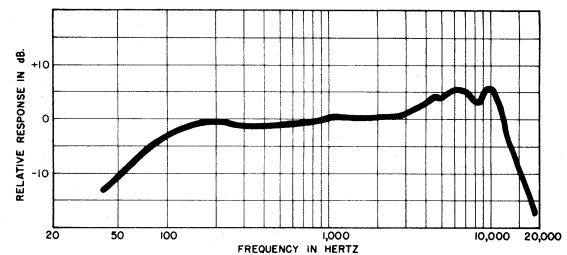
SPECIFICATIONS

Type

Dynamic

Frequency Response

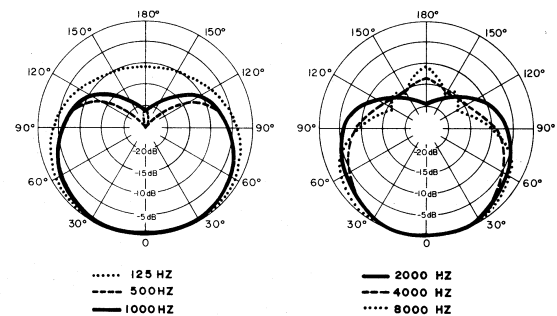
50 to 15,000 Hz (see Figure 1)



TYPICAL FREQUENCY RESPONSE
Figure 1

Polar Pattern

Cardioid (unidirectional)—uniform with frequency, symmetrical about axis (see Figure 2)



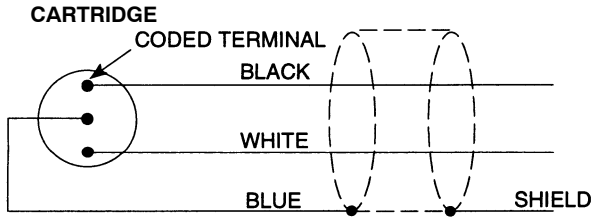
TYPICAL POLAR PATTERNS
Figure 2

Impedance

Microphone rating impedance is 150 Ω (250 Ω actual) for connection to microphone inputs rated at 75 to 300 Ω

Phasing

Positive pressure on diaphragm produces positive voltage on BLACK cable lead (see Figure 3).



INTERNAL CONNECTIONS
FIGURE 3

Sensitivity (at 1,000 Hz)

Open Circuit Voltage: - 57.5 dBV/Pa* (1.3 mV)
*(1 Pa = 94 dB SPL)

Cartridge Shock Mount

Internal rubber vibration isolator

CABLE

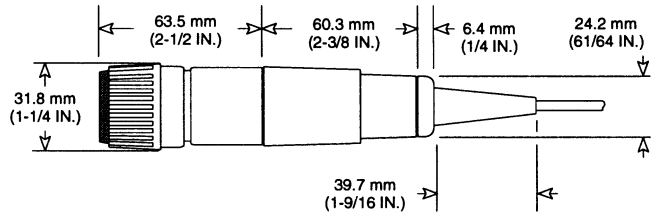
6.1 m (20 ft) two-conductor shielded, attached, small diameter cable

Case

Silver finish aluminum and ARMO-DUR® with stainless steel screen

Dimensions

See Figure 4



OVERALL DIMENSIONS
Figure 4

Net Weight

354 grams (12-1/2 oz)

GOOSENECK MOUNTING

To mount the 545L on a gooseneck or fixed pipe with a 5/8"-27 thread, unscrew (turn counterclockwise) the end cap at the cable end of the microphone, and remove the end cap and strain relief by sliding them down the length of the cable. Fish the cable through the gooseneck or pipe and firmly thread the microphone to the mount.

OPTIONAL ACCESSORIES

Swivel Adapter. A25B
Line Matching Transformer A95 Series
Gooseneck (12 in., 18 in.) G12, G18
Windscreen A2WS-GRA

REPLACEMENT PART

Cartridge R45L



SHURE Incorporated Web Address: <http://www.shure.com>
5800 W. Touhy Avenue, Niles, IL 60714-4608, U.S.A.
Phone: 800-257-4873 Fax: 847-600-1212
In Europe, Phone: 49-7131-72140 Fax: 49-7131-721414
In Asia, Phone: 852-2893-4290 Fax: 852-2893-4055
Elsewhere, Phone: 847-600-2000 Fax: 847-600-6336