

TRANSISTORIZED DYNAMIC HAND-HELD MICROPHONE

GENERAL

The Shure Model 596T is an amplified, dynamic, hand-held microphone designed for rugged and reliable operation in a variety of mobile and fixed-station communications applications. The 596T has an omnidirectional pickup pattern and provides highly intelligible speech communication in police, fire, taxi, bus, utility, forestry, transportation, industrial, radio-telephone, amateur radio and similar applications. In addition to a clear, crisp, natural voice response, the 596T offers extremely low sensitivity to hum pickup.

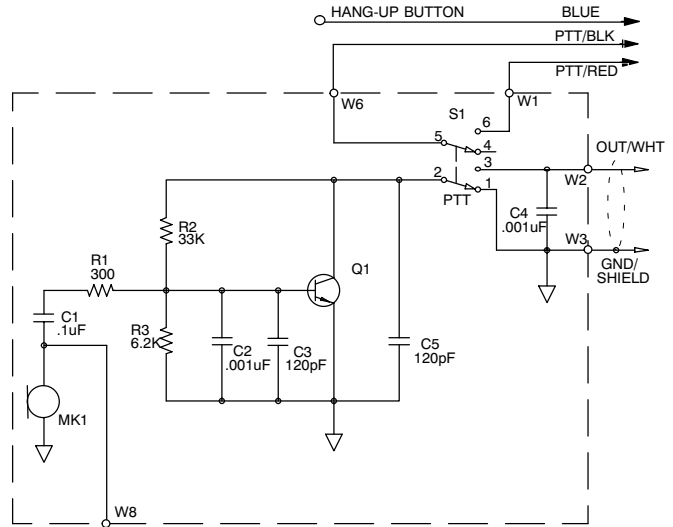
The unit fits naturally and comfortably in the hand and is not affected by heat or humidity. The exclusive ARMO-DUR® case is immune to oil, grease, fumes, salt spray, sun, rust and corrosion—and is outstanding in its ability to withstand mechanical shocks and vibration.

Features

- Built-in transistor amplifier (fed by dynamic microphone)
- Frequency response from 300 to 5,000 Hz, tailored for voice communications use
- Low sensitivity to hum pickup
- *High-impact ARMO-DUR® case is lighter and stronger than die-cast metal, comfortable to the touch in hot or cold weather*
- Rugged and dependable under all operating conditions—Long-life Neoprene-jacketed coil cord
- Silver-plated switch contacts for long-term low contact resistance and reliable performance

CONNECTIONS

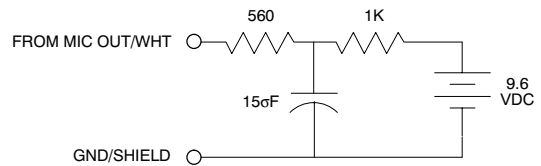
The internal wiring, circuitry, and switch connections of the 596T are shown in Figure 1.



INTERNAL CONNECTIONS
FIGURE 1

RADIO INPUTS

The 596T is designed to operate with two-way radio sets with an audio input circuit similar to that shown in Figure 2.



STANDARD TEST CIRCUIT
FIGURE 2

SPECIFICATIONS

Test Conditions: (unless otherwise specified)

Audio output between White and Shield (Ground)

PTT switch depressed

Measured with High Z DMM

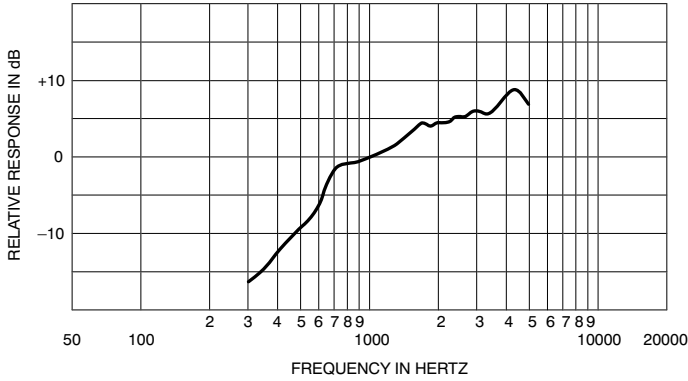
Standard test circuit as shown in Figure 2

Type

Dynamic (with transistor preamplifier)

Frequency Response

300 to 5,000 Hz (see Figure 3)



TYPICAL FREQUENCY RESPONSE

FIGURE 3

Sensitivity (at 1 kHz, 10 mm)

-11 dBV (282 mV)
(0 dB = 1 V at 100 μbars)

Maximum Output Level (at 1 kHz, 3% THD)

-7.2 dBV (437 mV)

Maximum Sound Pressure Level (1 kHz, 3% THD)

126 dB SPL

Magnetic Hum Sensitivity

13.4 dB max equivalent SPL per 1 mOe electromagnetic field

Current Drain

3.5 mAdc at 9.6 Vdc

Polar Pattern

Omnidirectional

Environmental Conditions

Operating Temperature: -40° to 74° C (-40° to 165° F)
Storage Temperature: -54° to 85° C (-65° to 185° F)
Relative Humidity: 0 to 95% (non-condensing)

Switch

Double-pole, single-throw, slide push-to-talk, silver-plated contacts

Cable

Non-detachable, 1.8 m (6 ft) extended, 5 conductor (one shielded), coiled, black Neoprene

Certification

Conforms to European Union directives, eligible to bear CE marking; meets European Union EMC Immunity Requirements (EN 50 082-1, 1992).

Construction

Case: Black textured high-impact ARMO-DUR®

Weight

260 grams (9.2 oz) with cable

ACCESSORY

Mounting Bracket..... RK6MB

REPLACEMENT PART

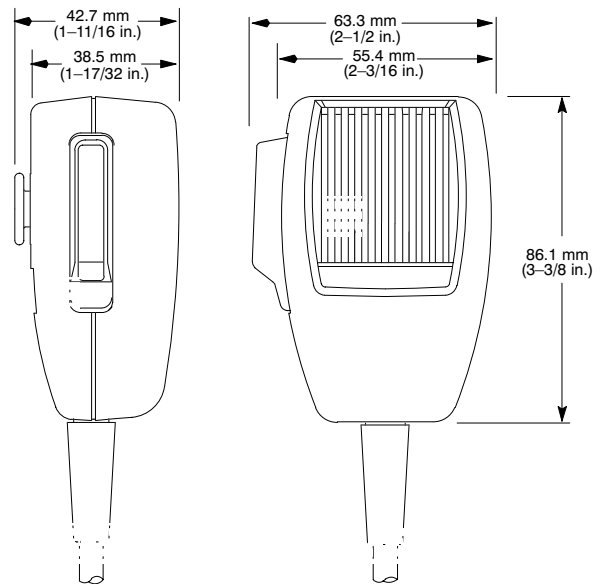
Cartridge..... RP324

MOUNTING

The 596T is provided with a rear-case hang-up button for use with a mounting bracket on or near associated equipment. The bracket has mounting holes with clearance for No. 6 or No. 8 mounting screws (not supplied).

Dimensions

see Figure 4



OVERALL DIMENSIONS

FIGURE 4

SERVICE

For service information and replacement parts, please contact Shure's Service department at 1-800-516-2525. Outside the United States, please contact your Authorized Shure Service Center



SHURE Incorporated Web Address: <http://www.shure.com>
5800 W. Touhy Avenue, Niles, IL 60714-4608, U.S.A.
In U.S.A., Phone: 1-847-600-2000 Fax: 1-847-600-1212
In Europe, Phone: 49-7131-72140 Fax: 49-7131-721414
In Asia, Phone: 1-852-2893-4290 Fax: 1-852-2893-4055
International Fax: 1-847-600-6446