

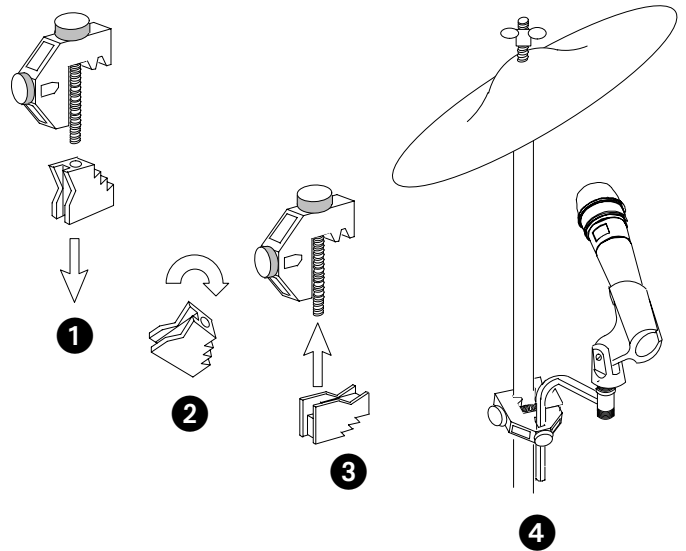
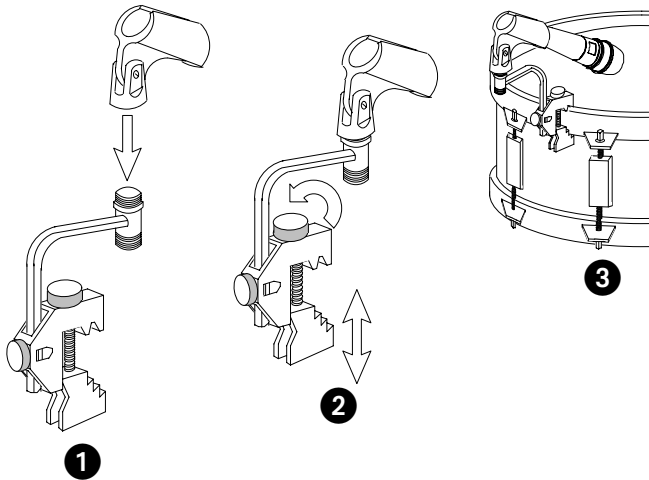
## GENERAL

The Shure A56D mounts microphones on a drum or cymbal. It fits stand adapters with a 5/8-in, 27-thread. An L-adapter extension curves at a 90° angle for optimum microphone placement.

The clamp fits drum rims measuring from 1/2-in. (12.7 mm) to 2 1/4 -in. (57.2 mm) in height, or on cymbal stands measuring from 3/8-in. (9.5 mm) to 1 1/8-in. (28.6 mm) in diameter.

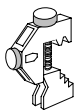
## DRUM RIM MOUNTING

## CYMBAL STAND MOUNTING



## REPLACEMENT PARTS

**NOTE:** To minimize potential noise or damage, position the microphone outside the drummer's range of stick movement and cymbal movement.



Clamp Assembly ..... RPM618



Jaw ..... 32A866



L-Adapter Extension ..... 90A4646



5/8"-27 Lock Nut (Large) ..... 31A1857



5/8"-27 Lock Nut (Small) ..... 31B1770



SHURE Incorporated Web Address: <http://www.shure.com>  
5800 W. Touhy Avenue, Niles, IL 60714-4608, U.S.A.  
In U.S.A., Phone: 1-847-600-2000 Fax: 1-847-600-1212  
In Europe, Phone: 49-7131-72140 Fax: 49-7131-721414  
In Asia, Phone: 1-852-2893-4290 Fax: 1-852-2893-4055  
International Fax: 1-847-600-6446