



# A710-DS

## Desk Stand for MXA710 Microphones

A710-DS desk stand user guide. Mount Shure's MXA710 to this desk stand for easy placement on credenzas, tables, and other flat surfaces.  
Version: 3 (2020-G)

---

# Table of Contents

<b>A710-DSDesk Stand for MXA710 Microphones</b>	<b>3</b>	<b>MXA710 Desk Stand Overview</b>	<b>4</b>
<b>IMPORTANT SAFETY INSTRUCTIONS</b>	<b>3</b>	<b>Installing the Desk Stand</b>	<b>4</b>
		<b>Contact Customer Support</b>	<b>5</b>

---

# A710-DS

## Desk Stand for MXA710 Microphones



---

### IMPORTANT SAFETY INSTRUCTIONS

1. READ these instructions.
2. KEEP these instructions.
3. HEED all warnings.
4. FOLLOW all instructions.
5. DO NOT use this apparatus near water.
6. CLEAN ONLY with dry cloth.
7. DO NOT block any ventilation openings. Allow sufficient distances for adequate ventilation and install in accordance with the manufacturer's instructions.
8. DO NOT install near any heat sources such as open flames, radiators, heat registers, stoves, or other apparatus (including amplifiers) that produce heat. Do not place any open flame sources on the product.
9. DO NOT defeat the safety purpose of the polarized or grounding type plug. A polarized plug has two blades with one wider than the other. A grounding type plug has two blades and a third grounding prong. The wider blade or the third prong are provided for your safety. If the provided plug does not fit into your outlet, consult an electrician for replacement of the obsolete outlet.
10. PROTECT the power cord from being walked on or pinched, particularly at plugs, convenience receptacles, and the point where they exit from the apparatus.
11. ONLY USE attachments/accessories specified by the manufacturer.
12. USE only with a cart, stand, tripod, bracket, or table specified by the manufacturer, or sold with the apparatus. When a cart is used, use caution when moving the cart/apparatus combination to avoid injury from tip-over.



13. UNPLUG this apparatus during lightning storms or when unused for long periods of time.
14. REFER all servicing to qualified service personnel. Servicing is required when the apparatus has been damaged in any way, such as power supply cord or plug is damaged, liquid has been spilled or objects have fallen into the apparatus, the apparatus has been exposed to rain or moisture, does not operate normally, or has been dropped.
15. DO NOT expose the apparatus to dripping and splashing. DO NOT put objects filled with liquids, such as vases, on the apparatus.
16. The MAINS plug or an appliance coupler shall remain readily operable.
17. The airborne noise of the Apparatus does not exceed 70dB (A).
18. Apparatus with CLASS I construction shall be connected to a MAINS socket outlet with a protective earthing connection.
19. To reduce the risk of fire or electric shock, do not expose this apparatus to rain or moisture.
20. Do not attempt to modify this product. Doing so could result in personal injury and/or product failure.
21. Operate this product within its specified operating temperature range.

	This symbol indicates that dangerous voltage constituting a risk of electric shock is present within this unit.
	This symbol indicates that there are important operating and maintenance instructions in the literature accompanying this unit.

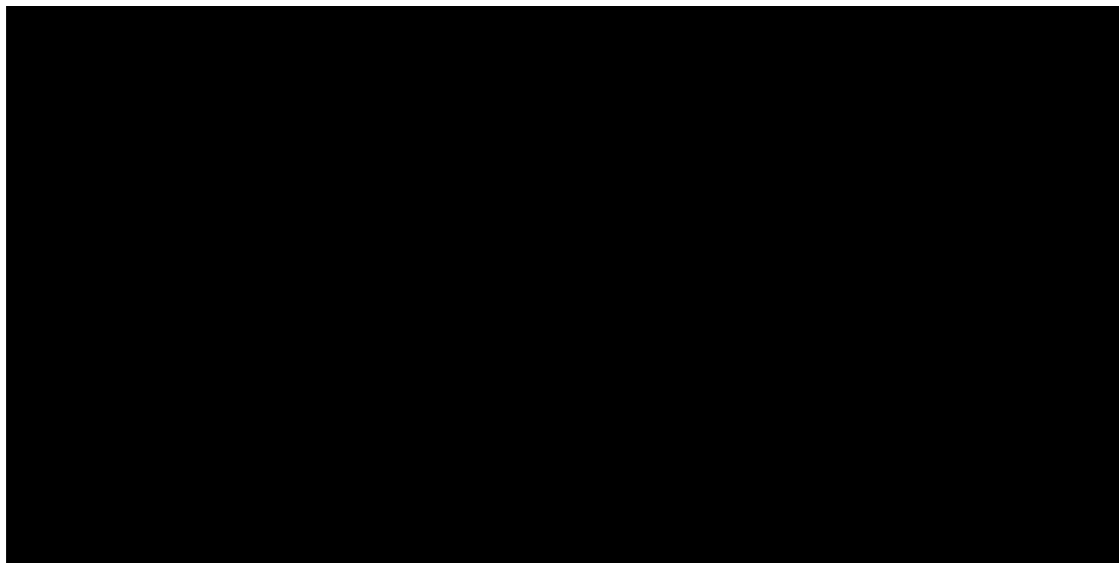
---

## MXA710 Desk Stand Overview

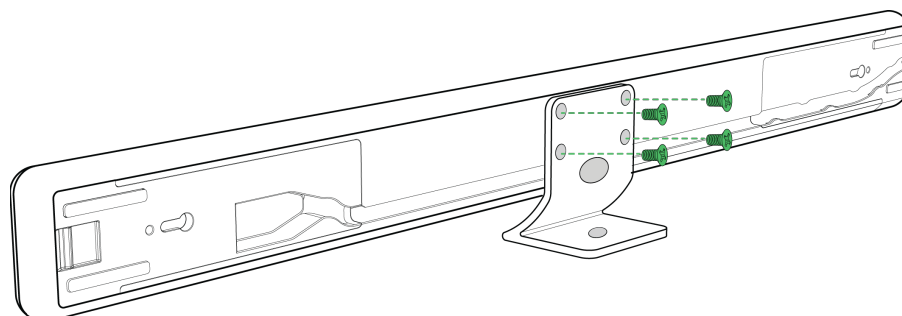
The A710-DS desk stand provides a convenient placement option for the MXA710 Linear Array on any flat surface, such as a credenza or table. Featuring a low-profile design in black (A710B-DS) or aluminum (A710AL-DS) finishes, it attaches directly to the integrated VESA holes on the back of the microphone for easy installation, and includes a base hole for permanent surface mounting.

---

## Installing the Desk Stand



Attach the desk stand to the microphone using the included screws as shown. Use the hole in the center of the stand to route the Ethernet cable.



# Contact Customer Support

Didn't find what you need? [Contact our customer support](#) to get help.