



A98D

Microphone Drum Mount

Shure A98D microphone drum mount online user guide.
Version: 4.0 (2020-G)

Table of Contents

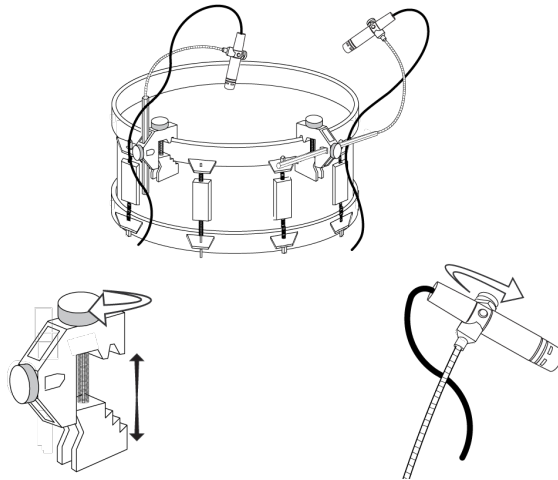
A98DMicrophone Drum Mount	3	Drum Rim Mounting	3
General Description	3	Cymbal Stand Mounting	3
		Replacement Parts	4

A98D Microphone Drum Mount

General Description

The Shure A98D mounts Shure Beta 98A and Beta 98 microphones on a drum or cymbal. The gooseneck adapter can be inserted into the horizontal or vertical slots of the clamp for optimum flexibility.

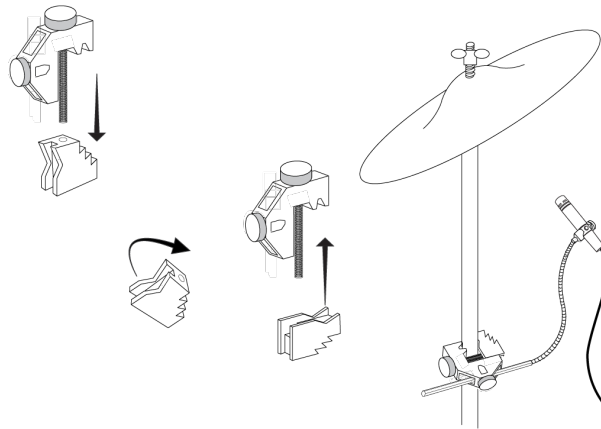
Drum Rim Mounting



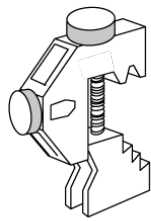
Do not tighten the thumbscrew on the plastic section of the connector as this could cause damage.

To minimize potential noise or damage, position the microphone outside of the drummer's range of stick and cymbal movement.

Cymbal Stand Mounting

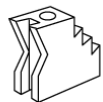


Replacement Parts



Clamp Assembly

RPM618



Jaw

32A866