



**DT15P
DT25P
DT35P
STEREO
CARTRIDGES**

**INSTRUCTIONS
and
SPECIFICATIONS**

222 Hartrey Ave., Evanston, IL 60202-3696
U.S.A.

PHONE 312/866-2200 • CABLE: SHUREMICRO

SPECIFICATIONS	DT15P	DT25P	DT35P
Frequency Response	20-20,000 Hz	15-22,000 Hz	15-27,000 Hz
Output @ 1 KHz, 5 cm/sec @ 1 KHz	5.0 mV	5.0 mV	5.0 mV
Channel Separation	20 dB	22 dB	24 dB (15 dB @ 10 KHz)
Channel Balance	Within 2 dB	Within 2 dB	Within 1.5 dB
Tracking Force	1.25 grams	1.25 grams	1.25 grams
Trackability @ 400 Hz	19 cm/sec	22 cm/sec	24 cm/sec
Recommended Load Impedance	47 kΩ	47 kΩ	47 kΩ

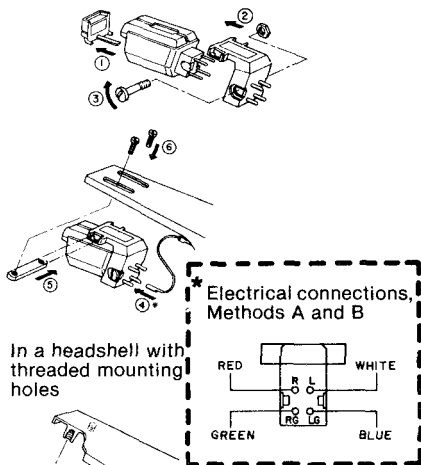
SPECIFICATIONS	DT15P	DT25P	DT35P
Recommended Capacitive Load	200-300 pF	200-300 pF	200-300 pF
Stylus Tip Shape	0.4 x 0.7 mil Bifradial Elliptical	0.3 x 0.7 mil Bifradial Elliptical	0.2 x 1.5 mil Hyper-Ridge
Stylus Grip Color	Burnt Orange	Gray	Red
Cartridge Weight*	5.9 grams	5.9 grams	5.9 grams
Recommended Replacement Stylus	N94LT (Blue Grip)	N96LT (Yellow Grip)	N97LT (Red Grip)

*Without adapter cartridge is compatible with P-Mount arms. With adapter cartridge is compatible with ½-inch mount arms

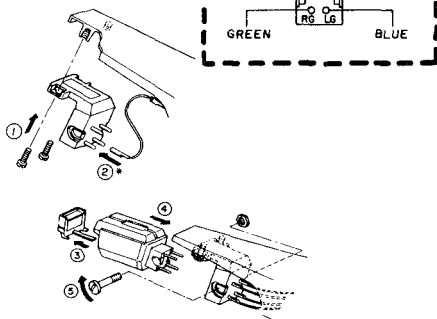
INSTRUCTIONS

The DT15P, DT25P, and DT35P cartridges are compatible with P-Mount arms and with 1/2-inch standard-mount arms (using the supplied adapter). Be sure to remove the stylus before mounting the cartridge. Carefully replace the stylus after mounting is complete. There are three basic methods of mounting the cartridge.

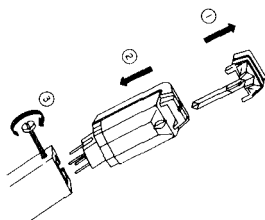
A. In a headshell with unthreaded mounting holes



B. In a headshell with threaded mounting holes



C. In a P-Mount arm



TRACKING FORCE IN A P-MOUNT ARM

After mounting the cartridge, it is not usually necessary to adjust the tracking force in a pre-set arm.

TO PRESERVE STYLUS LIFE

1. Protect stylus with stylus guard when dusting turntable.
2. Regulate tone arm set-down or changer mechanism to prevent stylus from striking edge of turntable or record.
3. Do not handle tone arm while record is being played; handling may cause arm to sweep across record. Use cuing device if available.
4. If manual set-down is necessary, release arm as soon as stylus engages groove.
5. Do not activate arm without record on turntable.
6. Do not stack more records than changer manufacturer recommends.
7. Do not use damaged records.
8. Make certain cartridge is correctly mounted in tone arm; make certain stylus is properly inserted in cartridge.
9. Use appropriate vertical tracking force for each cartridge and stylus; forces outside recommended range can cause stylus and record damage.
10. Follow turntable or tone arm instructions for antiskating force (where applicable).

SPECIAL NOTE

To maintain the original performance standards of your cartridge, be certain that any replacement stylus you buy bears the following certification on the package: "This Stereo Dynetic® stylus is precision manufactured by Shure Brothers Inc." **AVOID INFERIOR IMITATIONS. THEY WILL SERIOUSLY DEGRADE THE PERFORMANCE OF YOUR CARTRIDGE. ALL GENUINE DYNETIC® STYLUS ARE MANUFACTURED BY SHURE BROTHERS INC. LOOK FOR THE NAME SHURE ON THE STYLUS GRIP.**

FULL ONE-YEAR WARRANTY: Shure Brothers Incorporated ("Shure"), 222 Hartrey Avenue, Evanston, Illinois 60202-3696, warrants to the owner of this product that it will be free, in normal use, of any defects in workmanship and materials for a period of one year from date of purchase. You should retain proof of date of purchase. Shure is not liable for any consequential damages. If this Shure product has any defects as described above, carefully repack the unit and return it prepaid to:

Shure Brothers Incorporated
Attention: Service Department
222 Hartrey Avenue
Evanston, IL 60202-3696 U.S.A.

If you are not in the United States, return the unit to your dealer or Authorized Service Center for repair. The unit will be repaired or replaced and returned to you promptly, and if it cannot be repaired or replaced, you may elect to receive a refund. This warranty does not include stylus wear.