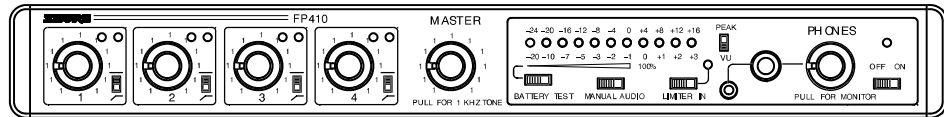


SHURE®

Shure Incorporated
222 Hartrey Avenue
Evanston IL 60202-3696 U.S.A.

Model FP410 User Guide

FP410 PORTABLE AUTOMATIC MIXER



The Shure Model FP410 is an automatic microphone mixer designed for use in a wide variety of multi-microphone speech pickup applications. *Shure IntelliMix* delivers flawless automatic mixing by combining three unique functions:

- *Noise-Adaptive Threshold,*
- *MaxBus, and*
- *Last Mic Lock-On.*

Noise-Adaptive Threshold distinguishes between constant background noise (such as air conditioning) and rapidly changing sound (such as speech). This function continuously adjusts the activation threshold so that only speech levels louder than the background sound will activate an FP410 channel.

MaxBus eliminates the poor audio quality that results when a talker is picked up by more than one microphone. It does this by controlling the number of microphones that may activate for a single sound source. With MaxBus, one talker will activate only one FP410 channel, even if multiple microphones are “hearing” that talker.

Last Mic Lock-On maintains a seamless audio mix by keeping the most recently activated microphone open until a newly activated microphone takes its place. Without Last Mic Lock-On, a long pause in conversation may allow all microphones to turn off, and it may sound as if the audio signal has been lost. Last Mic Lock-On ensures that background ambience will always be present.

Multiple miking situations—with a number of talkers participating—have always presented problems for the audio technician. If too few mics are used, the coverage of each talker may vary, with one talker (nearest the mic) being louder and clearer than the next. Talkers *farthest* from the mics will sound “echoey” and reverberant, as very little of the direct sound from their mouths reaches the microphones. If too many mics are used, there’s more background noise and reverberation pickup, as well as less gain before feedback if a sound reinforcement (PA) system is used.

It’s somewhat like having multiple video cameras all focused on the same subject. If these camera signal are combined, the result is a blurred image. When multiple microphones are open for a single talker, the result is a blurred audio signal. But it’s often not practical for someone to turn mics on when they are needed and off when they are not. The answer is the FP410 automatic microphone mixer.

The FP410 automatically attenuates (turns down) any microphone not being used, greatly reducing the excess reverberation and feedback problems associated with the use of conventional multiple microphone and mixer techniques. When a new talker starts to speak, the FP410 immediately selects and silently activates the most appropriate microphone. *Shure IntelliMix* electronic signal processing enables the FP410 to provide clear, natural voice pickup. The FP410 significantly reduces the problems of “boomy” or “muddy” sound, insufficient sound level (because of feedback or “howling”), and operator errors. In fact, operator errors are virtually eliminated because the FP410 needs no operator or technician for continual adjustment—once set up, it is completely self-sufficient.

The FP410 has numerous applications in video production and audio recording, broadcasting, and sound reinforcement. In any speech pickup application where multiple microphones are required, the FP410 dramatically improves audio quality. Switching from manual to automatic operation allows an individual talker’s voice to rise above the background noise and reverberation to become clearer and more intelligible.

Each FP410 handles up to four microphones or line-level signals. Any high quality, low-impedance, balanced microphone using a dynamic or condenser* transducer (including wireless and shotgun types) can be used. Additional FP410 mixers can be interconnected using the rear-panel link jacks. Complete manual operation is also available using a front-panel selector switch.

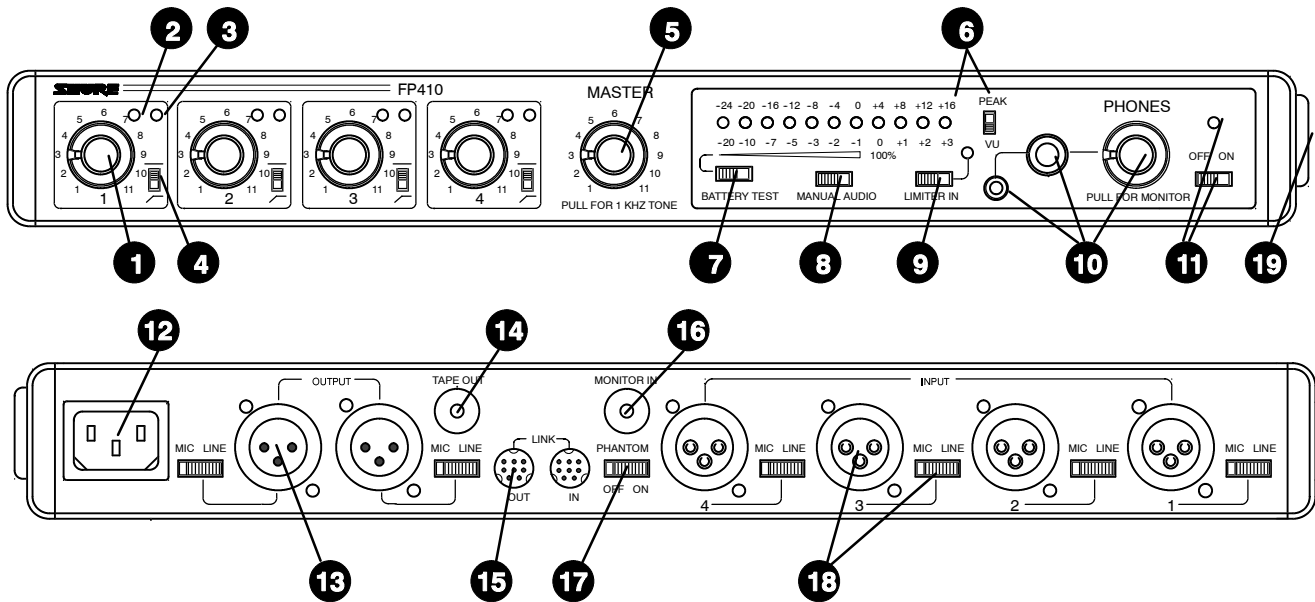
The FP410 is supplied with optional bumpers (feet) for use on horizontal surfaces, a short cable for linking two FP410 mixers, and a rack-mounting kit for installation in a standard 483 mm (19-inch) audio equipment rack.

The FP410 (100 to 120 Vac operation; line fuse 0.1 A) is also supplied as the Model FP410E (230 Vac operation; line fuse 0.05 A), and its line cord contains a Schuko ac plug.

*Self-powered or operable on 14 or 48 Vdc phantom power.

Features

- *Reliable, quick-acting, noise-free microphone selection—automatically adjusts to changes in background room noise*
- *Front-panel channel gain and master controls operate as in conventional mixers*
- *Selectable hold time keeps microphones on during short pauses in speech*



MODEL FP410
FIGURE 1

- Selectable Off-Attenuation control for seamless operation
- Automatic gain adjustment as additional microphones are activated
- Defeatable “Last Mic Lock-On” circuit keeps at least one microphone on at all times—maintains acoustic ambiance and prevents confusing background sound changes
- Wide, flat frequency response and low distortion up +18 dBm output
- Linking capability for systems containing over 25 mixers and over 100 microphones
- LED indication of microphone channel mix levels, output level, and limiter action
- Automatic muting prevents annoying thumps and loud-speaker damage when unit is turned on and off
- Transformer-balanced inputs and outputs switchable to line- or microphone-level
- Separate monitor input and tape output (aux-level) jacks
- Front-panel headphone monitor jacks with level control
- Front-panel auto-disable switch for manual operation
- Operates from ac mains voltage or two 9 V batteries
- Switchable 14 V and 48 V phantom powering for condenser microphones
- Underwriters Laboratories Listed and Canadian Standards Association listed as Certified (FP410 only)

CONTROLS, CONNECTORS, INDICATORS

(See Figure 1)

1. Microphone Channel Gain Controls 1-4: At “0” position, microphone channel is removed from operation. Turning control

clockwise activates microphone channel and allows adjustment of microphone level.

2. Input Normal Green LED: Should flicker with normal speech levels.

3. Input High Red LED: Should flicker only on loud speech peaks.

4. Flat (—)/Low-Cut (↘) Slide Switches: Provide low-frequency rolloff to reduce undesirable low-frequency signals such as wind noise.

5. **MASTER** Rotary Control: Determines the level of the combined input signals at Mic/Line, Tape and Phones outputs. PULL FOR 1 kHz TONE position activates 1 kHz tone oscillator (tone level is determined by Master control setting). Oscillator signal appears at all outputs. When oscillator is not in use, knob should be pushed in.

6. **PEAK/VU** Output Level Meter: Meter function is selected by adjacent PEAK/VU slide switch. In PEAK switch position, meter indicates peak signal levels. In VU position, it indicates average signal levels, simulating a true VU meter.

7. **BATTERY TEST** Momentary Slide Switch: Operates in conjunction with PEAK/VU Meter to indicate battery condition. With POWER switch on and switch in momentary-on position, new set of batteries lights all green LEDs. Number of green LEDs lit indicates approximate battery life remaining when alkaline batteries are used. **NOTE:** POWER LED begins flashing when total battery supply voltage drops to 10 Vdc (one green LED lit).

8. **MANUAL/AUTO** Slide Switch: Selects manual or automatic microphone operating mode. In MANUAL position, unit operates as a conventional microphone mixer. In AUTO position, unused microphones automatically turn off.

9. **LIMITER IN** Slide Switch: Activates fast-acting, peak-responding limiter circuit to cut overload distortion during loud program intervals without affecting normal program levels. The red limiter LED indicates limiting action.

10. **PHONES** $\frac{1}{4}$ -inch and 3.5 mm Phone Jacks: Permit monitoring mixer output through most stereo or mono headphones. PULL FOR MONITOR switch applies signal from rear-panel MON IN 3.5 mm phone jack to headphones amplifier. When switch is activated, mixer output signal does not appear in headphones output. PHONES rotary control determines headphone level in either case.

11. **POWER** Slide Switch: Applies ac or battery power to mixer circuitry. Adjacent green LED indicates power-on status and, in battery operation, flashes when total battery voltage drops to 10 Vdc.

12. **100-120 VAC, 50/60 Hz 8W** 3-Pin Power Connector: For connection to 100 to 120 Vac, 50/60 Hz power outlets (230 Vac in the FP410E).

13. **OUTPUT** 3-Pin Male XLR Connectors: For connection to one or two amplifiers, recorders or other mixers. Output signal levels are individually switchable to Line level or low-impedance Mic level by adjacent individual MIC/LINE slide switches. Both jacks provide the same signal information but are electrically isolated.

14. **TAPE OUT** 3.5 mm Phone Jack: Provides output signal to feed unbalanced aux-level inputs of most tape recorders and amplifiers.

15. **LINK IN/OUT** 8-Pin miniature DIN Jacks: Using link cables, these jacks permit virtually unlimited number of FP410 mixers to be stacked to achieve additional input capacity. Jacks carry audio signals, MaxBus and Last Mic Lock-On information.

16. **MON IN** 3.5 mm Phone Jack: Sends external Aux or Line-level source to headphones amplifier without interrupting other mixer functions. Jack is activated by pulling front-panel PULL FOR MONITOR knob outward.

17. **PHANTOM ON/OFF** Slide Switch: Controls application of 14 Vdc phantom power for condenser microphones to all inputs. With switch on and INPUT MIC/LINE switches in MIC position, +14 Vdc is applied to pins 2 and 3 of each input XLR connector. NOTE: Phantom power can be internally set to 48 Vdc (see *Modifiable Functions* section). When using other than Shure condenser microphones, verify that voltage and source resistance requirements are compatible (see *Specifications*).

18. **INPUT 1-4** Female 3-Pin XLR Connectors: Permit connection to balanced, low-impedance microphones or line-level sources. Adjacent MIC/LINE slide switches adjust inputs to match source levels.

19. **Battery Compartment**: Accepts two 9-volt batteries for remote operation or as automatic backup in the event of ac power failure.

INSTALLATION AND OPERATION

Mixer Installation

Install the FP410 as follows. If the unit is to be placed on a horizontal surface, attach the four supplied bumpers to the corners of the chassis bottom to prevent marring the surface.

If the FP410 is to be rack-mounted in a standard 483 mm (19-inch) audio equipment rack, remove the two Phillips head

screws from each FP410 side panel, place the rack “ears” in position at the sides (rack-mount holes facing forward), and secure the ears with the previously removed Phillips head screws. NOTE: The rack ears are asymmetrical; the *wider* ear should be on your right (as you face the front panel) to permit access to the battery compartment while the FP410 is in the audio equipment rack. Install the rack-mounted FP410 in the equipment rack and secure it with the four supplied rack-mount screws.

Make electrical connections as follows.

1. For battery operation, compress the release latches of the battery drawer with thumb and forefinger, and withdraw the drawer from the compartment. Observing battery polarity markings, insert two fresh 9-volt batteries in the drawer slots. With the Power switch on, slide the Battery Test switch to the right to determine battery condition. IMPORTANT: Battery operating life is reduced when microphones are phantom-powered—especially by 48 Vdc phantom powering. For ac operation, connect the power cord to a 100 to 120 Vac, 50/60 Hz source (FP410E: Connect to a 230 Vac, 50/60 Hz source).
2. Connect the microphones and/or line-level signal sources to the Mic Input connectors (use conventional 2-conductor shielded cables). Adjust Mic/Line switches as required for incoming signal level.
3. If phantom-powered condenser microphones are used, turn on the FP410's Phantom Power switch. NOTE: With condenser microphones other than Shure, verify that voltage and source resistance requirements are compatible.
4. Connect one or both of the FP410 Outputs to the following mixers, amplifiers or recorders. Make certain each Output Mic/Line switch is in the proper position for the desired output levels.
5. If an unbalanced aux-level output is needed, connect it to the Tape Out jack.
6. If additional FP410 mixers are to be linked to increase the number of microphone inputs, connect them by means of the Link In and Link Out jacks. Connect the LINK OUT of the first mixer to the LINK IN of the next mixer, and so on. Leave the LINK IN jack of the *first* mixer and the LINK OUT jack of the *last* mixer unconnected. NOTE: Jacks are for linking only, not for audio inputs or outputs.
7. If headphone monitoring of the FP410 mixed signal is required, connect mono or stereo headphones to one of the front-panel Phone jacks ($\frac{1}{4}$ -inch or 3.5 mm). Adjust the Phone control knob for the desired loudness (after setting the microphone Channel and Master Gain controls according to *Operation* section).
8. To monitor an external signal source, connect it to the rear-panel Mon In jack and pull the Phones control knob outward. Adjust the Phones control and/or the external source level control for the desired loudness.

Operation

1. Turn on the Power switch and set the Manual/Auto switch to Manual.
2. Set the Peak/VU meter to Peak or VU as desired.
3. The 1 kHz internal tone oscillator can be used to help align the following equipment levels (master mixer, amplifier, recorder, etc.) to the output level of the FP410. The tone oscillator is activated by pulling the Master gain control outward. Its level at the FP410 output is set by the Master gain control. After setting equipment levels, turn off the tone oscillator by pushing the Master gain control inward.
4. "Talk" the microphone connected to the FP410 Channel 1 input, and slowly raise the Channel 1 Gain control to the point where the green LED flickers regularly with normal speech, and the red LED only occasionally with louder speech peaks.
5. Set the other FP410 channel gains in the same manner.
6. Set the Flat (—)/Low-Cut (↘) switches adjacent to each Gain control as required. The low-cut position reduces pick-up of low-frequency room noise.
7. Set the Manual/Auto switch to Auto. In about one second, unused microphone inputs will turn off and the level of an individual talker's voice will rise above the background noise and reverberation to become clearer and more intelligible.
8. Adjust the FP410 Master Gain control for the desired output level, as indicated by the Peak or VU meter, or by the following equipment.
9. The FP410 is now ready for operation.

USING AN EQUALIZER/FEEDBACK CONTROLLER WITH AN AUTOMATIC MIXER

When setting up a sound system which has an outboard equalizer or feedback controller in the signal chain, set the FP410 to MANUAL. This activates all microphone inputs, so every possible feedback path is open. With the FP410 in MANUAL mode, equalize the sound system and/or "Ring Out" the room to set the feedback controller.

After equalization is complete, set the FP410 to AUTOMATIC mode. Remember that the input of an automatic mixer drops by 3 dB every time the number activated inputs doubles. When using an FP410 in MANUAL mode, the master output drops by 9 dB when all 8 inputs are activated. Conversely, it will rise by 9 dB when switched back to AUTOMATIC mode.

MODIFIABLE FUNCTIONS

The FP410 is ready for automatic or manual operation as supplied. Additional versatility is provided by easily accessible switches visible when the battery compartment is removed. Note that the switches are all in the "up" position as supplied; changes are made by moving the switch or switches downward. The switch positions are illustrated by a label below the battery compartment (see Figure 2).

VU Meter (Switch No. 1). Change the VU meter, supplied calibrated for +4 dBm = 0 VU, to +8 dBm = 0 VU by moving this switch downward. (This switch does not affect calibration of the LED output level meter in the Peak position.)

Limiter Threshold (Switch Nos. 2, 3). Change the limiter threshold, the output level at which limiter action begins, from the factory-set +16 dBm to either +8 dBm, +4 dBm or 0 dBm output level by moving these switches as shown in Figure 2.

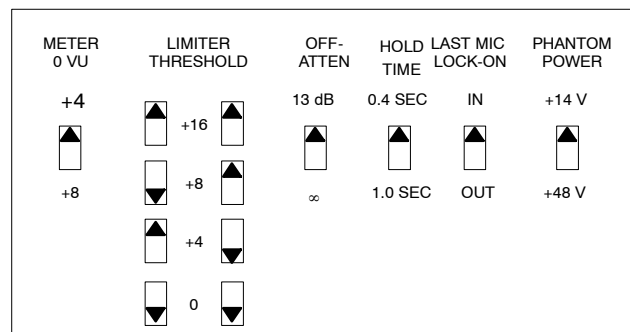
Off-Attenuation (Switch No. 4). Change the off-attenuation from 13 dB to infinite (∞) by moving this switch downward. With the 13 dB setting, an unused microphone is 13 dB lower in level than when it is activated. With the ∞ setting, an unused microphone is completely off.

Hold Time (Switch No. 5). Change the hold time, the duration of time an activated microphone (which is not locked on) remains on after the talker stops talking, from 0.4 seconds to 1.0 second by moving this switch downward.

Last Mic Lock-on Defeat (Switch No. 6). The last mic lock-on feature keeps the most recently activated microphone open until a newly activated microphone takes its place. It can be defeated so that all microphones automatically turn off after the hold time by moving this switch downward.

Phantom Power (Switch No. 7). Phantom power for condenser microphones, normally 14 V, can be changed to 48 V by moving this switch downward. **CAUTION:** Make certain the condenser microphones to be used are compatible with the selected voltage. If the microphones can operate properly with 14 V phantom power, that position should be used to avoid excessive battery drain.

INTERNAL MODIFIABLE FUNCTIONS



MODIFIABLE FUNCTION SWITCHES
FIGURE 2

WARNING

Voltages in this equipment are hazardous to life. No user-serviceable parts inside. Refer all servicing to qualified service personnel.

In addition to the user-modifiable functions described above, the FP410 is designed so that many of its functions can be modified by a qualified technician. Instructions on implementing these modifications are provided in the FP410 Service Manual which is obtainable from Shure. These modifications are:

1. Change Monitor In sensitivity.
2. Change Tape Out level.
3. Change Off-Attenuation value.
4. Change low-cut filter frequency.
5. Change Peak meter attack and decay time constants.
6. Change 0 VU Meter calibration to level other than +4 or +8 dBm.
7. Change Limiter threshold beyond the positions permitted by Switches 2 and 3 (see Figure 2).
8. Change to permanently lock one or more microphones on.
9. Change to permanently prevent one or more microphone channels from activating.
10. Change the preset Hold Time values.
11. Change the Monitor In jack to an Aux In jack function for cascading mixers or creating a “mix-minus”.
12. Change to provide reduced-level program feed in headphones when Pull For Monitor switch is activated.
13. The FP410 can be changed to operate from 230 Vac, 50/60 Hz power. Similarly, the FP410E can be changed to operate from 100 to 120 Vac, 50/60 Hz mains voltage.

WARNING

The safety certifications of the FP410 and FP410E do not apply when the operating voltage is changed from the factory setting.

ADDITIONAL INFORMATION

Limiter

The front-panel Limiter switch turns on a fast-acting, peak-responding limiter circuit that cuts overload distortion during loud program intervals without affecting normal program levels. When the switch is In (operating), the FP410 output is limited to approximately +16 dBm. Increasing the individual or Master gain controls will increase the average output and the amount of limiting. The limiter threshold can be changed from its factory setting as described in the *Modifiable Functions* section. The front-panel red LED adjacent to the Limiter switch indicates limiter action.

Linked Mixers

The FP410 provides four microphone inputs. If additional mic inputs are needed, more FP410s (over 25, if necessary) can be “linked” using link cables of the type supplied. A setup like this can provide over 100 mic inputs. As long as the link jacks of all mixers are connected (out-to-in, sequentially, leaving one Link In and one Link Out jack unconnected), the automatic mixing functions will be shared by all units.

When FP410 mixers are linked, *Shure Intellimix* control functions are also linked so that a single multi-microphone system is created. All input signals (except the Monitor In signal) appear at all linked mixer outputs. There is no master/slave relationship.

The output-related controls and functions of each linked mixer are post-link and do not affect the signals appearing at other linked mixer outputs. Each mixer’s output controls may be set differently to obtain different results. These controls are: Master level control, 1 kHz Tone Oscillator, Peak/VU Meter switch, Limiter In and Limiter Threshold switches, Phone level and Monitor control, and Off-Attenuation switch. NOTE: The actual off-attenuation in the 13 dB switch position increases, as more mixers are linked. This reduces excessive noise and reverberation contributed by the increased number of typically “off” microphones.

The input-channel-related controls and functions of each linked mixer are pre-link and do not affect the input channels of other linked mixers. The effect of these input controls is reflected in the mixed output signals of all the linked mixer outputs. These controls are: Input channel levels controls and Low-Cut switches, Manual/Auto switch, Phantom On/Off switch, Phantom Voltage Selector switch, Hold Time switch, and Last Mic Lock-On switch.

Link Cables

Additional link cables can either be purchased (Shure Part No. 95A1143; 305 mm—12 in.) or constructed using desired lengths of high-quality, 7-conductor, shielded cable (pin 1: shield) with 8-pin mini DIN connectors on each end. The maximum length of a link cable will depend on the grounding considerations of this unbalanced line.

FP410 and Mixing Consoles

The FP410 can be used in conjunction with large mixing consoles to provide automatic mixing for talk shows, panel discussions, and nightly news shows. Large consoles have channel insert jacks so that external signal processing devices can be patched into individual channel signal paths. These jacks are normally line level.

The FP410 can be fed from these insert jacks and the FP410 output then fed to a submaster fader on the console. This arrangement allows the operator complete control of each channel via the console’s input control strip, while the the FP410 keeps the number of open microphones to a minimum, relieving the operator of having to open and close mic channels.

SUPPLIED ACCESSORIES AND REPLACEMENT PARTS

Battery Tray Assembly	90GJ2600
Bumper (Foot) Kit (4 in kit)	90S8100
Control PC Board Assembly	90B8368A
Knob, Master & Phones	95A8238
Knob, Channel Gain	95B8238
Line (Power) Cord (FP410)	95A8231
Line (Power) Cord (FP410E)	95A8247
Link Cable	95A1143
Left Rack-Mount Bracket	53A8252
Right Rack-Mount Bracket	53A8253

SPECIFICATIONS

Measurement Conditions (unless otherwise specified): Line voltage 120 Vac, 60 Hz (FP410E: 230 Vac, 50/60 Hz); full gain; 1 kHz, one channel activated; output terminations: Line 600Ω, Mic 150Ω, Tape 50 kΩ, Phones 200Ω (tip-sleeve and ring-sleeve); Auto mode

Frequency Response (controls centered)

25 Hz to 20 kHz, +0.5,-2 dB (any input to any output)

Voltage Gain

Input	Output			
	Line	Mic	Head-phone	Tape
Low-impedance mic (150Ω)	93 dB	43 dB	97 dB	74 dB
Line	42 dB	-8 dB	46 dB	23 dB
Monitor	—	—	9 dB	—

Inputs

Input	Impedance		Input Clipping Level
	Designed for use with	Actual (Internal)	
Mic	19-600Ω	900Ω	-15 dBV
Line	≤10 kΩ	66 kΩ	To >+26 dBV
Monitor	≤1 kΩ	25 kΩ	+21 dBV

Outputs

Output	Impedance		Output Clipping Level
	Designed for use with	Actual (Internal)	
Mic	Any low-impedance mic input	0.5Ω	-31 dBV (28 mV) min.
Tape	>10 kΩ	1 kΩ	-2 dBV (800 mV)
Head-phones	8-200Ω, 200Ω recommended	500Ω	+6 dBV (2.0 V)
Line	600Ω	100Ω	+19 dBm (6.9 V) min.

Total Harmonic Distortion (controls centered [5], +4 dBm at Line output)

≤0.25%, 50 Hz to 20 kHz

Hum and Noise

- Equivalent Input Noise -128.5 dBV
- Equivalent Input Hum and Noise -128.5 dBV
- Output Noise (300 Hz to 20 kHz; channel controls full counterclockwise)
- Master full counterclockwise -88 dBV
- Master full clockwise -71 dBV
- Output Hum and Noise (20 Hz to 20 kHz; channel controls full counterclockwise)
- Master full counterclockwise -74 dBV
- Master full clockwise -70 dBV

Common Mode Rejection

65 dB minimum with input of -20 dBV at 100 Hz

Polarity

Pin 2 of balanced inputs and outputs are in phase with tip connections of unbalanced inputs and outputs

Input Channel Activation

- Attack Time 4 msec
- Hold Time 0.4 sec (switchable to 1.0 sec)
- Decay Time 0.5 sec

Off-Attenuation

13 dB, fixed (switchable to ∞)(single mixer; attenuation increases as additional mixers are linked)

Overload and Shorting Protection

Shorting outputs, even for prolonged periods, causes no damage. Microphone inputs are not damaged by signals up to 3 V; Line and Monitor inputs by signals up to 20 V

Low-Cut Filters

6 dB/octave rolloff below 170 Hz

Limiter

- Threshold +16 dBm (switchable to +8, +4, 0 dBm)
- Attack Time 3 msec
- Recovery Time 350 msec
- Indicator Lights when limiting is occurring

Meter

- VU Meter Calibration: 0 VU = +4 dBm (switchable to +8 dBm)
- Peak Meter:
- Rise Time: 2.0 msec time constant (0.9 msec/LED step)
- Decay Time: 180 msec time constant (83 msec/LED step)

Tone Oscillator

1 kHz, ±10%, THD <0.5%

Phantom Power

14 Vdc open-circuit, 1 kΩ series resistance, input switches in Mic position only (internally switchable to 48 Vdc, 4.5 kΩ series resistance)

Operating Voltage

AC Operation: 100 to 120 Vac rated nominal, 80 to 132 Vac fully operational (FP410); 230 Vac rated nominal, 160 to 264 Vac fully operational (FP410E), 50/60 Hz, 8 W
DC Operation: 18 Vdc nominal at 25 mA typical no-signal, 33 mA typical at 0 VU (+4 dBm) output with 600Ω load; 6 Vdc minimum; battery life approximately 12 hours with alkaline batteries at +4 dBm output in continuous use at room temperature; two 9-volt batteries (type NEDA 1604A)

Temperature Range

Operating -18° to 57° C (0° to 135° F)
Storage -29° to 71° C (-20° to 160° F)

Overall Dimensions

44.5 mm H x 368 mm W x 210 mm D (1³/₄ x 14¹/₂ x 8¹/₄ inches)(not including feet)

Net Weight

2.27 kg (5 lb)

Certifications

FP410: Listed by Underwriters Laboratories, Inc., listed as Certified by Canadian Standards Association.

FP410E: Conforms to European Union directives, eligible to bear CE marking; VDE GS-certified to EN 60 065; meets European Union EMC Immunity Requirements (EN 50 082-1, 1992).

Questions & Answers

Questions about your FP410 installation? This section lists the most common questions asked about Shure's automatic microphone systems. Maybe your question is among the following. If not, contact Shure's Customer Service Department.

Q. Why don't I get any sound output from my FP410?

A. Assuming that your power amp, tape deck, speakers, etc. are good, possibly it's because:

- The Channel or Master Gain controls are turned down,
- A microphone is not connected,
- A rear-panel Mic/Line input or output switch or the Phantom On-Off switch is improperly set,
- The FP410 isn't plugged in or doesn't have batteries installed, or
- The Power switch isn't on.

Check these items and make the required correction.

Q. Still doesn't work. Why?

A. Maybe you have a defective microphone or cable. While listening to headphones plugged into one of the front-panel Phone jacks, try replacing the suspect microphone or cable with one known to be good.

Q. Why does a microphone turn on or off erratically, causing speech dropouts?

A. Excessive room noise (such as from air-handling or audio-visual equipment) can be a cause. Reduce the room noise, the proximity of the noise to any mic, and/or the talker-to-mic distance. A loud talker close to their microphone or with their Channel Gain control set too high can sometimes inhibit proper microphone activation by a "weaker" talker who is too far from their microphone or has their Channel Gain control set too low. Balance the microphones by repositioning and/or resetting the Channel Gain controls in accordance with the *Operation* section.

IMPORTANT: Best results are generally obtained when the Last Mic Lock-On is *not* defeated and the Off-Attenuation is

13 dB (modifiable function switches up). Difficult situations may be aided by changing the Hold Time from 0.4 to 1.0 second (modifiable function switch down).

Q. Why am I getting howling through my loudspeakers?

A. For the same reason that howling is present in any PA system: your mics are picking up the speaker sound and reamplifying it. Move the speakers or mics, or turn down the gain controls, to avoid the howling. Automatic operation *does* provide more output level before howling than manual operation, but the system still can howl.

Q. Why does the FP410 output sound distorted?

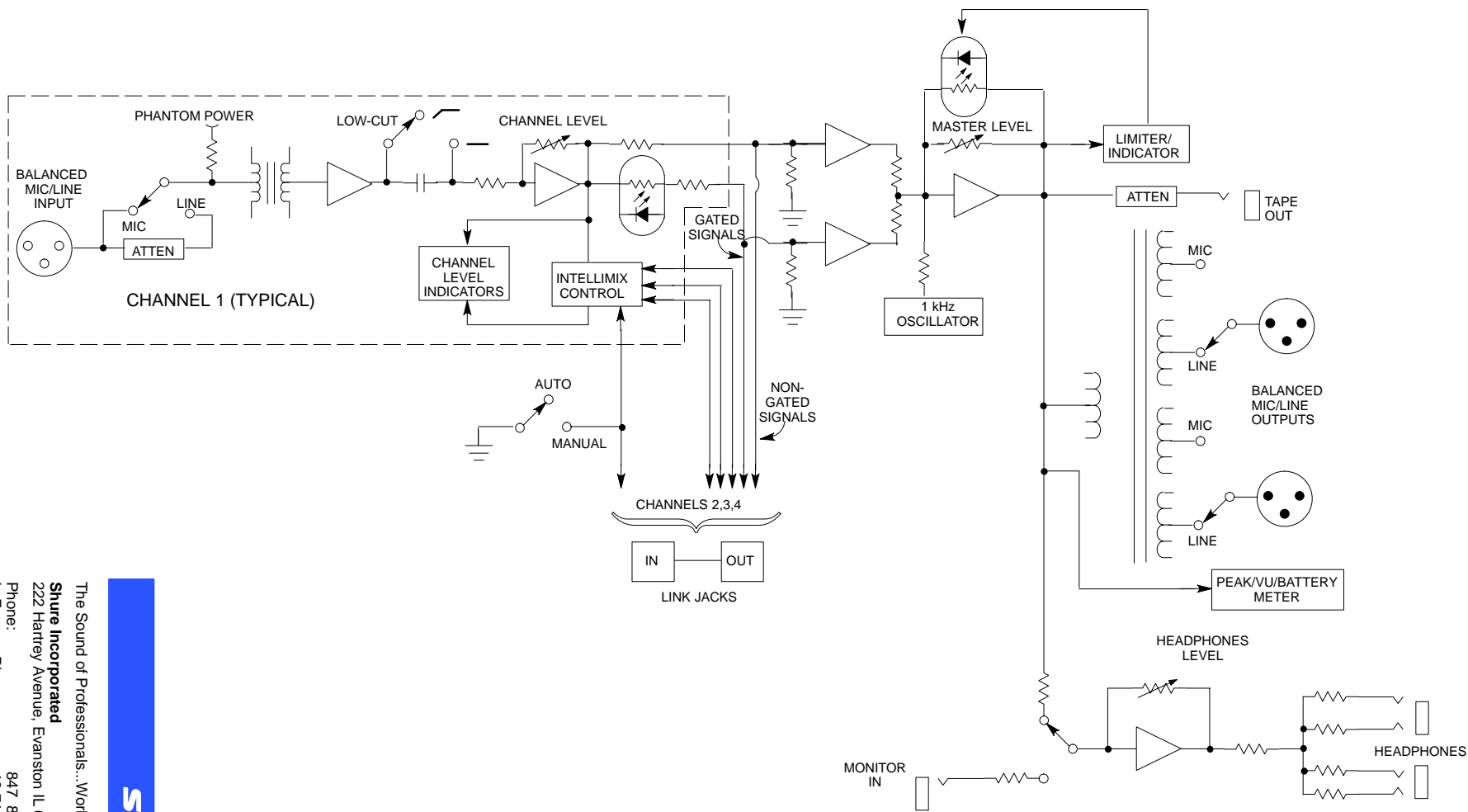
A. The Channel, Master or Phones Gain control may be set too high. Set the Channel Gain according to the *Operation* section. Set the Master Gain to avoid excessive red LED indications on the Output Level meter, or switch the Limiter in. Turn down the Phones control. Check the following equipment levels.

Q. Why does the speech level go up when I switch from Manual to Automatic operation?

A. This is normal and proper operation for any automatic mixer. When switched to Automatic, the FP410 attenuates any input channel not being used. Internally, this removes the inactive channels from the FP410 mix bus. This action increases the perceived level of any *active* input channel. For example, the audio gain increase will be 6 dB when going from four to only one activated microphone channel.

Q. Why is one of my four mics very noisy?

A. Assuming the mic is operating properly (you can check this by substituting with another mic), you probably have a constant noise source such as air-moving equipment or a defective fluorescent light ballast in the trouble area. This ambient noise source can be unnoticed until it's picked up by a mic: then it's extremely annoying. If you can't repair, turn off or lower the noise source, try relocating the mic to eliminate or at least lower the noise. If this is not possible, use the FP410 in the Manual mode to avoid microphone activation problems and accept the noisy output.



FP410 BLOCK DIAGRAM

SHURE

The Sound of Professionals... Worldwide®

Shure Incorporated

222 Hartrey Avenue, Evanston IL 60202-3696

Phone:

847 866-2200 FAX: 847 866-2279

In Europe, Phone:

49-7131-72140 FAX: 49-7131-721414

In Asia, Phone:

852-2893-4290 FAX: 852-2893-4055

Internationally, Phone:

847 866-2200 FAX: 847 866-2585

Français

L'appareil Shure modèle FP410E est un mélangeur de microphone automatique. Il est conçu pour être utilisé dans une large gamme d'applications de prise de sons à partir de plusieurs microphones. *Shure IntelliMix* correspond au nouveau et remarquable concept de fonctionnement sur lequel est basé le mélangeur modèle FP410E. Il permet d'obtenir un mixage automatique sans défaut grâce à la combinaison des trois fonctions très particulières suivantes:

- *Seuil adaptable au bruit,*
- *MaxBus et*
- *Verrouillage du dernier micro (Last Mic Lock-On).*

La fonction du seuil adaptable au bruit peut faire la distinction entre un bruit de fond constant (tel que le bruit d'un système de climatisation) et un sons changeant rapidement (tel que la parole). Cette fonction ajuste de façon continue le seuil d'activation pour que seuls les niveaux de la voix dont l'intensité est plus élevée par rapport à celle du bruit de fond mettent en fonction un canal du mélangeur FP410E.

La fonction MaxBus élimine la mauvaise qualité sonore lorsque la voix d'un speaker est captée par plusieurs microphones à la fois. Cette fonction accomplit ceci en contrôlant le nombre de microphones qui peuvent être mis en fonction pour une source sonore unique. Avec la fonction MaxBus, un speaker ne met en fonction qu'un seul canal du mélangeur FP410E même si plusieurs microphones captent la voix de ce speaker.

La fonction Verrouillage dernier micro (Last Mic Lock-On) maintient un mixage sonore parfait en maintenant le fonctionnement du dernier microphone mis en fonction jusqu'à ce qu'un autre microphone soit mis en fonction pour le remplacer. Sans la fonction Last Mic Lock-On, l'interruption de la conversation pendant une longue période risque d'entraîner l'arrêt de tous les microphones et on aurait l'impression d'avoir perdu le signal sonore. La fonction Last Mic Lock-On permet d'assurer en permanence la présence de l'ambiance d'arrière-plan.

Les situations où plusieurs micros doivent être utilisés par un certain nombre de speakers, ont toujours posés des problèmes aux techniciens du sons. Si plusieurs micros sont utilisés, le signal sonore peut varier en fonction de la proximité ou de l'éloignement de chaque speaker par rapport au micro. En effet, la voix d'un speaker qui est plus proche du micro par rapport à un autre speaker qui est plus éloigné d'un autre micro, est plus sonore et plus claire. Les voix des speakers les plus éloignés des micros, sont résonantes et réverbérantes car, une très faible partie de leur sons vocal direct atteint les microphones. Si le nombre de micros utilisés est beaucoup plus important, le bruit de fond et la réverbération qui seront captés sont également importants. Entre autre, le gain est réduit avant le réaction (feedback) en cas d'utilisation d'un système de sonorisation (amplificateur de puissance).

Ce phénomène est en quelque sorte similaire à une situation où plusieurs caméras sont toutes focalisées sur un même sujet. Si les signaux de ces caméras sont combinés, il en résulte une image floue. Lorsque plusieurs microphones sont ouverts pour un seul speaker, il en résulte un signal sonore parasite. Cependant, il n'est pas souvent pratique de mettre en fonction des micros lorsque leur utilisation s'avère nécessaire et de les mettre hors fonction dans le cas contraire. La solution à tous ces problèmes est apportée par le mélangeur automatique FP410E.

Le mélangeur FP410E atténue automatiquement (met en sourdine) tout microphone qui n'est pas utilisé, réduisant énormément l'excès de réverbération et les problèmes de réaction associés avec l'utilisation de plusieurs microphones et les techniques de mixage classiques. Lorsqu'un nouveau speaker commence à parler, le mélangeur FP410E sélectionne et met en marche immédiatement et de manière silencieuse le microphone le plus approprié. Le traitement du signal électronique selon le concept *Shure IntelliMix* permet au mélangeur FP410E de fournir une prise de sons na-

turelle et nette. Le mélangeur FP410E réduit énormément les problèmes de sons "sourd" ou "trouble", les problèmes dûs à un niveau de sons trop faible (à cause de la réaction ou du "hurlement") et ceux des erreurs commises par les opérateurs. En fait, les erreurs des opérateurs sont virtuellement éliminées, car le FP410E ne fait appel ni à un opérateur ni à un technicien pour subir un réglage continu — après la mise au point, il devient entièrement auto-suffisant.

Le FP410E peut faire l'objet d'une multitude d'applications dans le domaine de la production vidéo et de l'enregistrement sonore, la radiodiffusion et de l'amplification du sons. Quelque soit le domaine d'application de prise de sons où plusieurs microphones sont requis, le FP410E améliore la qualité du sons de manière substantielle. Le passage du fonctionnement manuel au fonctionnement automatique, permet à la voix d'un speaker de s'élever au-dessus du bruit de fond et de la réverbération pour devenir beaucoup plus claire et plus intelligible à la fois.

Chaque FP410E supporte au maximum quatre microphones ou signaux du niveau de la ligne. Il est possible d'utiliser n'importe quel type de microphone symétrique de haute qualité et de faible impédance qui utilise un transducteur condensateur* ou dynamique (y compris les microphones canon et sans fils). Des mélangeurs FP410E supplémentaires peuvent être interconnectés à l'aide des jacks de connexion du panneau arrière. L'utilisation du commutateur de sélection du panneau avant représente également une option d'exploitation manuelle complète.

Le mélangeur FP410E est fourni avec des tampons-amortisseurs (pieds) optionnels utilisables sur des surfaces plates, un câble court pour connecter deux mélangeurs FP410E et un kit de montage en baie pour son installation dans une baie standard de 483 mm pour les équipements audio.

Le FP410E est prévu pour alimentation à 230 V c.a. (fusible de ligne de 0,05 A). Son cordage se termine par une prise c.a. Schuko.

*Automoteur ou alimenté en tension fantôme de 14 ou 28 Vcc.

Caractéristiques

- *Fiable, à action rapide, sélection de microphones sans bruit — à réglage automatique en fonction des variations du bruit de fond de la salle.*
- *Les commandes de l'organe de contrôle principal et du gain du panneau avant fonctionnent de façon similaire que celles des mélangeurs classiques.*
- *Un temps d'arrêt sélectif permet de maintenir les microphones en fonction pendant les pauses courtes durant un discours.*
- *Blocage d'atténuation sélectif dont le résultat est un fonctionnement parfait.*
- *Réglage automatique du gain au fur et à mesure que des microphones supplémentaires sont mis en fonction.*
- *Le circuit Dernier micro verrouillé ("Last Mic Lock-On") permet de maintenir en fonction un microphone au moins à tout moment — maintient l'ambiance acoustique et empêche les variations perturbatrices du bruit de fond.*
- *Réponse à de larges fréquences linéaires, et faible distorsion pour des signaux de sortie pouvant atteindre +18 dBm.*
- *Capacité de liaison des systèmes ayant plus de 25 mélangeurs et plus de 100 microphones.*
- *Indication à base de diodes électroluminescentes (LED) des niveaux de mixage des canaux, des niveaux du signal de sortie et de l'action du limiteur.*
- *L'amortissement automatique permet d'empêcher la gêne due au crépitements et l'endommagement des haut-parleurs lorsque le système est mis en/hors fonction.*

- Transformateur — signaux d'entrée et de sortie symétriques commutables sur secteur—ou au niveau du microphone.
- Jacks d'entrée d'écoute et de sortie pour enregistrement (niveaux accessoires) distincts.
- Jacks pour casque d'écoute situés sur le panneau avant avec réglage de volume.
- Commutateur de déconnexion automatique situé sur le panneau avant qui sert pour le fonctionnement manuel.
- Alimenté en courant alternatif ou à l'aide de deux batteries de 9V.
- Alimentation en fantôme commutable de 14V et 48V pour les microphones à condensateur.
- Homologation VDE pour la sécurité conformément à DIN VDE 0860/05.89, harmonisation avec CENELEC HD 195 S6

COMMANDES, CONNECTEURS, INDICATEURS (Voir Figure 1)

1. Commandes du gain des canaux du microphones 1–4: A la position "0", le canal du microphone est mis hors fonction. Lorsque le bouton de commande est tourné vers la droite, le canal du microphone est mis en fonction et permet de régler le niveau du microphone.
2. Diode électroluminescente (LED) verte indicatrice du signal d'entrée normal: Doit scintiller lorsque les niveaux des signaux sonores sont normaux.
3. Diode électroluminescente (LED) rouge indicatrice de signal d'entrée fort: Doit scintiller lorsque les signaux sonores présentent des crêtes.
4. Commutateurs à coulisse pour fréquences linéaire/Filtre passe-haut (Flat [—]/Low-Cut [↗]): Permettent d'augmenter l'amortissement des basses fréquences pour réduire les signaux à basse fréquence indésirables tels que le bruit du vent.
5. Organe de commande rotatif principal (**MASTER**): Détermine le niveau des signaux d'entrée combinés au niveau des sorties Mic/Line, Tape et Phones. Le réglage de l'organe de commande sur la position PULL FOR 1 kHz TONE met en fonction l'oscillateur d'une tonalité de 1 kHz (le niveau de la tonalité est déterminé par le réglage de l'organe de commande principal). Le signal de l'oscillateur apparaît au niveau de toutes les sorties. Enfoncer le bouton de commande lorsque l'oscillateur n'est pas en fonction.
6. Indicateur de niveau de sortie crête/VU (**PEAK/VU**): Le commutateur adjacent à coulisse PEAK/VU, permet de sélectionner la fonction de l'indicateur. Lorsque le commutateur est positionné sur PEAK, l'indicateur indique les crêtes des signaux. Lorsqu'il est positionné sur VU, l'indicateur indique les signaux de niveaux moyens, simulant un volumètre réel.
7. Commutateur à coulisse sans maintien de test des batteries (**BATTERY TEST**): Fonctionne en conjonction avec l'indicateur PEAK/VU pour indiquer l'état de la batterie. En actionnant le commutateur POWER et le commutateur à coulisse en position de maintien, un jeu de batteries neuves entraîne l'allumage de toutes les diodes électroluminescentes vertes. La durée de service des batteries est déterminée de façon approximative en fonction du nombre de diodes allumées lorsque des batteries alcalines sont utilisées. NOTE: La diode POWER LED commence à clignoter lorsque la tension des batteries diminue et atteint 10 Vcc (une seule diode verte s'allume).
8. Commutateur à coulisse des modes de fonctionnement manuel et automatique (**MANUAL/AUTO**): Sélectionne le mode de fonctionnement manuel ou automatique du microphone. En position MANUAL, le dispositif fonctionne comme un mélangeur de microphones classique. En position AUTO, les microphones inutilisés sont automatiquement mis hors fonction.
9. Commutateur à coulisse du limiteur (**LIMITER IN**): Met en fonction le circuit du limiteur à action rapide qui réagit aux crêtes des signaux pour éliminer la distortion de surcharge durant les intervalles sonores d'un programme sans affecter les nouveaux ordinaux de ce dernier. La diode électroluminescente rouge indique l'action limite.

10. Jacks d'écoute de 3 mm (**PHONES**): Permettent de contrôler le signal de sortie du mélangeur à l'aide de la majorité des casques d'écoute stéréo ou mono. Le commutateur PULL FOR MONITOR applique le signal du jack d'écoute MON IN (3,5 mm) du panneau arrière à l'amplificateur du casque d'écoute. Lorsque le commutateur est mis en fonction, le signal de sortie du mélangeur n'est pas perçu à la sortie du casque d'écoute. L'organe de commande rotatif PHONES détermine le niveau du signal du casque d'écoute.
11. Commutateur à coulisse d'alimentation (**POWER**): Permet de sélectionner l'alimentation des circuits du mélangeur en courant alternatif (secteur) ou en courant continu (batteries). La diode électroluminescente verte adjacente indique que le mélangeur est alimenté et en cas d'alimentation à l'aide de batteries, elle commence à scintiller lorsque la tension totale baisse et atteint 10 Vcc.
12. Fiche mâle à 3 broches pour source d'alimentation de 230 **VCA, 50/60 Hz 8W**: Permet de brancher l'appareil à des prises d'alimentation de 230 Vca, 50/60 Hz.
13. Connecteurs XLR mâles à 3 broches de sortie (**OUTPUT**): Permettent de connecter un ou deux amplificateurs, des appareils d'enregistrement ou d'autres mélangeurs. Les niveaux du signal de sortie peuvent être commutés manuellement sur le niveau de la ligne ou sur le niveau de faible impédance du microphone à l'aide des commutateurs à coulisse adjacents MIC/LINE. Les deux jacks fournissent les mêmes informations relatives au signal, cependant, ils sont isolés électriquement.
14. Jack d'écoute de 3,5 mm pour enregistrement (**TAPE OUT**): Permet de transférer le signal de sortie pour alimenter la plupart des appareils d'enregistrement et des amplificateurs.
15. Jacks DIN miniature de connexion à 8 broches (**LINK IN/OUT**): Ces jacks permettent de connecter à l'aide de câbles de connexion, virtuellement, un nombre illimité de mélangeurs FP410E pour atteindre une capacité d'entrée supplémentaire. Les jacks portent les signaux sonores, et les informations MaxBus et Last Mic Lock—On.
16. Jack d'écoute de 3,5 mm pour entrée mono (**MON IN**): Transmet le signal aux accessoires externes ou le signal de la source niveau ligne à l'amplificateur du casque d'écoute sans interrompre d'autre fonctions du mélangeur. Le jack est actionné en tirant vers l'avant le bouton PULL FOR MONITOR situé sur le panneau avant.
17. Commutateur à coulisse d'alimentation en fantôme (**PHANTOM ON/OFF**): Permet de contrôler l'application de l'alimentation en fantôme de 14 Vcc pour les condensateurs des microphones au niveau de toutes les entrées. En mettant le commutateur sur la position ON et le commutateur INPUT MIC/LINE sur la position MIC, la tension 14 Vcc est appliquée aux broches 2 et 3 de chaque connecteur d'entrée XLR. NOTE: L'alimentation en fantôme peut être réglée à partir de l'intérieur à 48 Vcc (voir le chapitre *Fonctions modifiables*). Lorsque vous utilisez des microphones de condensateurs qui ne sont pas fabriqués par Shure, vérifiez que la tension et la résistance de la source soient conformes aux caractéristiques (Voir *Spécifications*).
18. Connecteurs femelles XLR à 3 broches (**INPUT 1–4**): Permettent la connexion des microphones symétriques de basse impédance ou des sources du niveau de la ligne. Les commutateurs à coulisse adjacents MIC/LINE permettent de régler les niveaux des entrées pour les mettre au même niveau que ceux de la source.
19. Compartiment des batteries: Prend deux batteries de 9 V pour l'exploitation à distance ou pour le remplacement automatique en cas de panne du secteur.

VEUILLEZ PRENDRE NOTE

Ce produit n'est pas complètement déconnecté de l'alimentation de réseau lorsque le disjoncteur est sur Arrêt.

INSTALLATION ET FONCTIONNEMENT

Installation du mélangeur

Installez le mélangeur FP410E comme suit. Si l'appareil doit être installé sur une surface horizontale, fixez les quatre tampon-amortisseurs fournis au niveau des coins de la partie inférieure du châssis pour éviter d'endommager la surface.

Si le FP410E doit être installé dans une baie standard de 483 mm pour équipements audio, enlevez les deux vis à fentes en croix (tête Phillips) de chacun des panneaux latéraux de FP410E. Placez les crampons de la baie sur les côtés (les orifices de montage de la baie dirigés vers l'avant) et serrez les crampons en utilisant les vis Phillips qui ont été enlevées précédemment. NOTE: Les crampons de la baie ne sont pas symétriques; le plus large crampon doit être installé sur le côté droit lorsque vous faite face au panneau avant pour avoir accès au compartiment des batteries une fois que l'appareil est installé dans la baie pour équipement audio. Installez l'appareil FP410E monté en baie dans la baie pour équipements audio et fixez-le en utilisant les quatre vis de montage fournies.

Les connexions électriques doivent être effectuées comme suit.

1. Pour le fonctionnement à l'aide des batteries, appuyez sur les loquets de déclenchement du tiroir des batteries avec le pouce et l'index et retirez le tiroir du compartiment. Insérez deux batteries neuves de 9 V dans le tiroir en faisant attention à la polarité des batteries. Avec le commutateur d'alimentation en position ON, faites coulisser le commutateur de contrôle des batteries vers la droite pour déterminer l'état des batteries. **IMPORTANT:** La durée de service des batteries est réduite lorsque l'alimentation des microphones est une alimentation en fantôme de 48 Vcc en particulier. Pour le fonctionnement en courant alternatif, branchez le câble d'alimentation à une source de 230 Vca, 50/60 Hz.
2. Connectez les microphones et/ou les sources des signaux du niveau de la ligne aux connecteurs d'entrée des microphones (utilisez des câbles classiques blindés à deux conducteurs). Réglez les commutateurs MIC/Line en cas de besoin pour le niveau du signal d'entrée.
3. Si des microphones de condensateurs alimentés en fantôme sont utilisés, mettez en fonction le commutateur d'alimentation en fantôme de FP410E. NOTE: Si les microphones de condensateurs utilisés ne sont pas fabriqués par SHURE, assurez-vous que la tension et la résistance de la source soient conformes aux spécifications.
4. Connectez une ou les deux sorties de FP410E aux mélangeurs, amplificateurs et appareils d'enregistrements. Assurez-vous que chaque commutateur de sortie Mic/Line soit sur la position correcte pour les niveaux de sortie désirés.
5. Si une sortie auxiliaire non symétrique s'avère nécessaire, connectez-la au jack de sortie Tape Out.
6. Si des mélangeurs FP410E supplémentaires doivent être branchés pour augmenter le nombre d'entrées du microphone, connectez-les au moyen des jacks LINK IN et LINK OUT. Connectez le jack LINK OUT du premier mélangeur au jack LINK IN du mélangeur suivant et ainsi de suite. Ne connectez pas le jack LINK IN du premier mélangeur et le jack LINK OUT du dernier mélangeur. NOTE: Les jacks sont destinés à la connexion seulement, mais pas pour les entrées ni les sorties audio.
7. Si un casque d'écoute pour contrôler le signal mélangé de FP410E est requis, connectez les cordons pour casque stéréo ou mono à l'un des jacks PHONE du panneau avant (1/4 pouce ou 3,5 mm). Réglez le bouton de commande PHONE selon le volume sonore désiré (après avoir réglé les commandes Master Gain et Channel du microphone conformément au chapitre *Fonctionnement*).
8. Pour contrôler une source d'un signal externe, connectez-la au jack Mon In du panneau arrière et tirez le bouton de contrôle Phones vers l'extérieur. Réglez le bouton de contrôle Phones et/ou la commande de contrôle du niveau de la source externe selon le

volume sonore désiré.

Fonctionnement

1. Mettez le commutateur Power en position ON et réglez le commutateur Manual/Auto sur Manual. NOTE: Cet appareil n'est pas totalement déconnecté du réseau d'alimentation électrique lorsque le commutateur d'alimentation (POWER) est mis hors fonction. NOTE: Cet appareil n'est pas totalement déconnecté du réseau d'alimentation électrique lorsque le commutateur d'alimentation (POWER) est mis hors fonction.
2. Réglez l'indicateur Peak/VU sur Peak ou VU selon votre choix.
3. L'oscillateur de tonalité interne de 1 kHz peut être utilisé pour améliorer l'alignement des équipements suivants (mélangeur principal, l'amplificateur, l'appareil d'enregistrement etc.) par rapport au niveau du signal de sortie du FP410E. L'oscillateur de tonalité est mis en fonction en tirant l'organe de contrôle du gain Master vers l'extérieur. Après le réglage des niveaux des équipements, mettez hors fonction l'oscillateur de tonalité en enfonçant l'organe de contrôle du gain Master.
4. Parlez dans le microphone connecté à l'entrée du canal 1 de FP410E et augmentez lentement le gain du canal 1 jusqu'à ce que la diode électroluminescente verte commence à scintiller régulièrement durant un discours de tonalité normale. La diode électroluminescente rouge s'allume occasionnellement pour indiquer les crêtes d'un discours plus sonore.
5. Réglez les gains des autres canaux de FP410E de la même manière.
6. Réglez les commutateurs Flat (—)/Low-Cut (↘) qui sont adjacents à chaque commande de contrôle du gain en cas de besoin. La position Low-Cut réduit la prise du bruit d'ambiance de basse fréquence.
7. Mettez le commutateur Manual/Auto sur la position Auto. Après une seconde environ, les entrées des microphones inutilisés sont mis hors fonction et le niveau de la voix d'un speaker s'élèvera au-dessus du bruit de fond et des réverbérations pour devenir plus nette et plus intelligible.
8. Réglez l'organe de contrôle du gain Master de FP410E en fonction du niveau de sortie désiré conformément aux indicateurs Peak et VU ou à l'aide des équipements suivants.
9. Le mélangeur FP410E est maintenant prêt à fonctionner.

FONCTIONS MODIFIABLES

Le mélangeur FP410E est prêt à fonctionner automatiquement ou manuellement en fonction du mode établi à la livraison. Une possibilité d'utilisation supplémentaire est fournie en accédant facilement aux commutateurs qu'on peut voir lorsque le compartiment des batteries est retiré. Notez que tous les commutateurs sont dirigés vers le haut à la livraison; les modifications s'effectuent en abaissant le ou les commutateurs. Les positions des commutateurs sont illustrées sur une étiquette située au-dessous du compartiment des batteries. (Voir Figure 2).

Vumètre (commutateur No. 1). Changez l'indicateur VU livré et étalonné pour +4 dBm = 0 VU, à +8 dBm = 0 VU en abaissant ce commutateur. (Ce commutateur n'affecte pas l'étalonnage de l'indicateur de niveau de sortie de la diode électroluminescente en position Peak.)

Seuil du limiteur (Commutateurs No. 2 et 3). Changez le seuil du limiteur, qui correspond au niveau de sortie à partir duquel le limiteur devient effectif, de +16 dBm (réglage en usine) à un niveau de sortie +8 dBm ou 0 dBm en déplaçant ces commutateurs comme indiqués sur la Figure 2.

Blocage d'atténuation (commutateur No. 4). Changez l'état du blocage d'atténuation de 13 dB à l'infini (∞) en abaissant ce commutateur. Le niveau d'un microphone inutilisé réglé à 13 dB est inférieur à celui du même microphone lorsqu'il est mis en fonction. La différence entre les deux niveaux est égale 13 dB. Un microphone inutilisé, réglé sur la valeur infini (∞) est complètement hors fonction.

Temps d'arrêt (Commutateur No. 5). Changez le temps d'arrêt, la durée pendant laquelle un microphone en fonction (non verrouillé) reste en activité lorsque le speaker s'arrête de parler, de 0,4 seconde à 1 seconde en abaissant ce commutateur.

Dernier micro verrouillé (commutateur No. 6). La caractéristique "dernier microphone verrouillé" maintient le dernier microphone mis en fonction ouvert jusqu'à ce qu'un microphone fraîchement mis en fonction prenne sa place. Il peut être remplacé de manière à ce que tous les microphones soient mis hors fonction après le temps d'arrêt en abaissant ce commutateur.

Alimentation en fantôme (commutateur No. 7). L'alimentation en fantôme des microphones à condensateurs qui est égale normalement à 14 V, peut être modifiée à 48 V en abaissant le commutateur. **ATTENTION:** Assurez-vous que les microphones à condensateurs qui doivent être utilisés soient compatibles avec la tension sélectionnée. Si les microphones peuvent fonctionner correctement avec une alimentation en fantôme de 14 V, cette position doit être utilisée pour éviter de ne pas trop décharger les batteries.

FONCTIONS INTERNES MODIFIABLES

AVERTISSEMENT

Les tensions au niveau de cet équipement présentent un danger mortel. Il n'y a pas de pièces réparables par l'utilisateur à l'intérieur de cet équipement. Chargez un agent technique qualifié pour toutes les opérations.

En plus des fonctions qui peuvent faire l'objet de modifications par l'utilisateur, le mélangeur FP410E est conçu de manière à ce que plusieurs de ses fonctions puissent être modifiées par un technicien qualifié. Les instructions relatives à l'exécution de ces modifications sont indiquées dans le manuel d'entretien du mélangeur FP410E qui peut être obtenu auprès de SHURE. Ces modifications sont indiquées ci-dessous.

1. Changer la sensibilité de l'organe de contrôle.
2. Changer le niveau de sortie Tape.
3. Changer la valeur Off-Atténuation.
4. Changer la fréquence du filtre Passe Haut (Low-Cut).
5. Changer les constantes des temps d'attaque et d'amortissement de l'indicateur Peak.
6. Changer le niveau de calibration de l'indicateur VU qui est égal à 0 à un niveau différent de +4 ou +8 dBm.
7. Changer le seuil du limiteur au-delà des positions permises par les commutateurs 2 et 3 (Voir Figure 2).
8. Effectuer un changement pour verrouiller de façon permanente un ou plusieurs microphones.
9. Effectuer un changement pour éviter de façon permanente le fonctionnement d'un ou de plusieurs canaux d'un microphone.
10. Changer les valeurs pré-réglées du temps d'arrêt.
11. Changer le jack In de l'organe de contrôle en une fonction auxiliaire pour mettre en cascade des mélangeurs ou pour créer un "mix-minus".
12. Effectuer un changement pour réduire le niveau du signal transmis au casque d'écoute lorsque le commutateur Pull For Monitor est mis en marche.

AVERTISSEMENT

La conformité aux normes de sécurité du mélangeur FP410E ne s'applique pas si les tensions d'exploitation établies en usine pour ces deux appareils ont été modifiées.

INFORMATIONS SUPPLEMENTAIRES

Limiteur

Le commutateur du limiteur du panneau avant met en fonction le circuit du limiteur à action rapide qui réagit aux crêtes et qui élimine les distortions de surcharge durant les intervalles d'un programme sonore sans affecter les niveaux normaux du programme. Lorsque le commutateur est opérationnel (In), la sortie du mélangeur FP410E est limitée à +16 dBm environ. L'augmentation d'un niveau ou des niveaux de gain de l'organe de contrôle Master entraîne la croissance de la moyenne du signal de sortie et la valeur limite. Le réglage en usine du seuil du limiteur peut être modifié selon la

description indiquée au chapitre *Fonctions modifiables*. La diode électroluminescente rouge adjacente au commutateur du limiteur indique l'action de ce dernier.

Raccordement des mélangeurs

FP410E fournit quatre entrées pour microphones. Si des entrées pour microphones s'avèrent nécessaires, il est possible de raccorder des FP410E supplémentaires (plus de 25 si nécessaire) en utilisant des câbles similaires à ceux qui sont fournis. Un montage pareil peut fournir plus de 100 entrées pour microphones. Tant que les jacks de connexion de tous les mélangeurs sont connectés (sortie connectée à l'entrée de manière séquentielle, avec un jack Link In et un jack Link Out non connectés), les fonctions de mélange automatique seront applicables à toutes les unités.

Lorsque les mélangeurs FP410E sont connectés, les fonctions de contrôles du concept *Shure Intellimix* sont également liées de façon à ce qu'un seul système à plusieurs microphones soit créé. Tous les signaux d'entrée (à l'exception du signal Monitor In) apparaissent au niveau de toutes les sorties du mélangeur connecté. La relation maître/esclave n'existe pas.

Les fonctions et les commandes liées aux sorties de chaque mélangeur connecté, interviennent après la liaison et n'affectent pas les signaux qui apparaissent au niveau des sorties de l'autre mélangeur connecté. Les commandes de sortie de chaque mélangeur peuvent être réglées différemment pour obtenir des résultats différents. Ces commandes sont: Commande de niveau Master, l'oscillateur de tonalité de 1 kHz, le commutateur de l'indicateur Peak/VU, les commutateurs de seuil du limiteur et de l'entrée (In) du limiteur, le niveau Phone, l'organe de contrôle Monitor et le commutateur Off-atténuation. NOTE: La valeur actuelle de 13 dB indiquée par le commutateur Off-atténuation s'accroît au fur et à mesure que des mélangeurs sont connectés. Ceci réduit l'excès de bruit et de réverbération occasionnés par le nombre croissant de microphones qui sont hors fonction.

Les fonctions et les commandes liées aux canaux d'entrées de chaque mélangeur connecté, interviennent avant la liaison et n'affectent pas les canaux d'entrée des autres mélangeurs connectés. L'effet de ces commandes d'entrée est reflété au niveau des signaux (de sortie) mélangés de toutes les sorties des mélangeurs. Ces commandes sont: Commande des niveaux des canaux d'entrée et les commutateurs Low-Cut, le commutateur Manual/Auto, le commutateur d'alimentation Phantom On/Off, le commutateur de sélection de l'alimentation en fantôme, le commutateur du temps d'arrêt Hold Time et le commutateur Last Mic Lock-on.

Câbles de connexion

Des câbles de connexion supplémentaires peuvent être soit achetés (Pièce Shure No. 95A1143; 305 mm—12 in.), soit fabriqués en fonction des longueurs désirées en utilisant un câble à 7 conducteurs blindé et de haute qualité (broche 1: blindage) avec un connecteur mini DIN à 8 broches à chaque extrémité. La longueur maximale d'un câble de connexion dépend des indications de la prise de terre de cette ligne asymétrique.

FP410E et pupitres de mélange

Le mélangeur FP410E peut être utilisé conjointement avec un grand nombre de pupitres de mélange pour fournir un mixage automatique dans des manifestations, telles que, les conférences, les tables rondes et les spectacles nocturnes sur les actualités. Les grands pupitres sont munis de jacks d'insertion de canaux de façon à ce que les dispositifs de traitement de signaux externes puissent être fichés par cordons dans les chemins des signaux des canaux individuels. Ces jacks sont normalement des jacks de ligne.

Le mélangeur FP410E peut être alimenté à partir de ces jacks de branchement et le signal de sortie du FP410E est transmis à un mélangeur de signaux dans le pupitre de mélange. Cette disposition permet à l'opérateur de contrôler totalement chaque canal via la bande de contrôle d'entrée du pupitre, pendant que le FP410E maintient le nombre de microphones ouverts à un minimum, ce qui permet d'éviter à ce que l'opérateur ne soit pas obligé d'ouvrir et de fermer les canaux des micros.

ACCESSOIRES ET PIÈCES DE RECHANGE

Ensemble plateau de batteries	90GJ2600
Kit de tampon-amortisseurs (pied)(4 dans le kit)	90S8100
Ensemble circuit imprimé de contrôle	90B8368A
Bouton, Master & Phones	95A8238
Bouton, gain du canal	95B8238
Câble d'alimentation électrique (FP410E)	95A8231
Câble d'alimentation électrique (FP410EE)	95A8247
Câble de connexion	95A1143
Patte de fixation — Baie côté gauche	53A8252
Patte de fixation — Baie côté droit	53A8253

SPECIFICATIONS

Conditions à respecter lors des mesures (à moins qu'il ne soit spécifié autrement): Tension d'alimentation 120 Vca, 60 Hz (FP410EE: 230 Vca, 50/60 Hz); gain maximum; 1 kHz, un canal actif; impédances de sortie: ligne 600 Ω, micro 200 Ω, Tape 50 k Ω, Phones 200 Ω (Manchon en pointe et manchon annulaire); mode Auto.

Reponse en fréquence (commandes réglées par rapport au centre)

25 Hz à 20 kHz, +0,5, -2 dB (connexion de n'importe quelle entrée à n'importe quelle sortie).

Amplification en tension

Entrée	Sortie			
	Ligne	Micro	Casque d'écoute	Tape
Micro de faible impédance (150 Ω)	93 dB	43 dB	97 dB	74 dB
Ligne	42 dB	-8 dB	46 dB	23 dB
Organe de contrôle	—	—	9 dB	—

Entrées

Entrée	Impédance		
	Destinée pour être utilisée avec	Réelle (interne)	Niveau limiteur d'entrée
Micro	19–600 Ω	900 Ω	-15 dBV
Ligne	≤ 10 k Ω	66 k Ω	A >+26 dBV
Organe de contrôle	≤ 1 k Ω	25 k Ω	+21 dBV

Sorties

Sortie	Impédance		
	Destinée pour être utilisée avec	Réelle (interne)	Niveau limiteur d'entrée
Micro	N'importe quelle entrée de micro de faible impédance	0,5 Ω	-31 dBV (28 mV) min.
Tape	>10 k Ω	1 k Ω	-2 dBV (800 mV)

Casque d'écoute	8–200 Ω, 200 Ω recommandée	500 Ω	+6 dBV (2 V)
Ligne	600 Ω	100 Ω	+19 dBm (6,9 V) min.

Distortion harmonique totale (commandes réglées par rapport au centre [5], +4 dBm au niveau de la ligne de sortie)
≤0,25%, 50 Hz à 20 kHz

Ronflement du secteur et bruit

Bruit à l'entrée équivalent	-128,5 dBV
Ronflement du secteur et bruit équivalents	-128,5 dBV
Effet thermique (300 Hz à 20 kHz; commandes des canaux tournées complètement vers la droite).	
Master complètement vers la gauche	-82 dBV
Master complètement vers la droite	-71 dBV
Ronflement du secteur et effet thermique (20 Hz à 20 kHz; commandes des canaux tournées complètement vers la gauche)	
Master complètement vers la gauche	-74 dBV
Master complètement vers la droite	-70 dBV

Réjection en mode commun

65 dB minimum avec une entrée de -20 dBV à 100 Hz

Polarité

La broche 2 des entrées et des sorties équilibrées sont en phase avec les connexions en pointe des entrées et des sorties.

Activation du canal d'entrée

Temps de réponse	4 msec
Temps d'arrêt	0,4 sec (commutable à 1 sec)
Temps d'amortissement	0,5 sec

Blocage d'atténuation (Off-Attenuation)

13 dB, fixe (commutable à ∞) (mélangeur unique; l'atténuation augmente au fur et à mesure que des mélangeurs supplémentaires sont connectés).

Protection contre les surcharges et les court-circuits

Les sorties court-circuitées, même pour des périodes prolongées, n'occasionnent aucun endommagement. Les entrées des microphones ne risquent pas d'être endommagées par des signaux qui peuvent atteindre une valeur maximale de 3 V; les entrées de ligne et de l'organe de contrôle peuvent supporter une surcharge pouvant atteindre une valeur maximale de 20 V.

Filtres passe-haut

6 dB/octave augmentation d'amortissement à des fréquences inférieures à 170 Hz.

Limiteur

Seuil	+16 dB (commutable à +8, +4 dBm)
Temps de réponse	3 msec
Temps de recouvrement	350 msec
Indicateur lumineux	S'allume dans des cas de limite.

Indicateur

Etalonnage du vumètre: 0 VU = +4 dBm (commutable à +8 dBm)
Indicateur à maximum:

Temps de montée: Constante de temps de 2 msec (0,9 msec/temps de réponse d'une DEL)
Temps d'amortissement: Constante de temps de 180 msec (83 msec/temps de réponse d'une DEL)

Oscillateur de tonalité

1 kHz, ± 10%, Coefficient de distortion harmonique totale <0,5%

Alimentation en fantôme

14 Vcc circuit ouvert, résistance d'appoint de 1 k Ω, commutateurs d'entrée sur la position Mic seulement(commutables à partir de l'intérieur à 48 Vcc, résistance d'appoint de 4,5 k Ω).

Tension de régime

Régime alternatif (ca): Tension nominale variant entre 100 et 120 Vca, 80 et 130 Vca en plein régime (FP410E), 50/60 Hz, 8W Régime continu (cc): Tension nominale de 18 Vcc à une intensité typique de 25 mA sans signal et à une intensité typique de 33 mA à signal de sortie de 0 VU (+4 dBm) avec une charge de 600 Ω; tension minimale 6 Vcc; la durée de service des batteries alcalines est de 12 heures avec un signal de sortie de +4 dBm lorsqu'elles sont utilisées de façon continue et à la température ambiante; 2 batteries de 9 V (type NEDA 1604A).

Domaine de températures

Températures de fonctionnement
..... -18° à 57°C (0° à 135°F)
Températures de stockage ... -29° à 71°C (-20° à 160°F)

Dimensions hors tout

44,5 mm H X 368 mm L X 210 mm E (1³/₄ X 14¹/₂ X 8¹/₄ inches)
(sans pieds)

Poids net

2,27 kg

Certification

Homologué pour la sécurité par VDE conformément à DIN VDE 0860/05.89, en harmonie avec CENELEC HD 195 S6.

Déclaration de conformité

Ceci atteste que le Mélangeur automatique pour microphones FP410E satisfait aux spécifications et aux règlements incorporés dans vfg 243/1992. Le Zentralamt für Zulassungen im Fernmeldewesen a été informé de la mise en vente de cet article et a reçu le droit de vérifier que l'article ou le système est conforme aux spécifications.

Deutsch

Das Shure Modell FP410E ist ein automatischer Mikrofon-Mischer für einen weiten Anwendungsbereich der Multi-Mikrofon-Sprachübertragung. *Shure IntelliMix* ist ein bemerkenswertes neues technologisches Konzept, das im FP410E angewendet wird. Diese Technologie liefert durch die Kombination von drei Grundfunktionen eine ausgeglichene Automatik-Mischung:

- *Umfedlabhängige Schaltschwelle*
- *MaxBus*
- *Last Mic Lock-On*

Die vom akustischen Umfeld abhängige Schaltschwelle unterscheidet zwischen konstantem Hintergrundgeräusch (wie z.B. Klimaanlage) und sich schnell änderndem Schall (wie Sprache). Diese Funktion paßt ständig den Schwellwert für die Durchschaltung der Mikrofone an, so daß nur Sprachschallpegel einen FP410E Kanal aktivieren können, die lauter als das Hintergrundgeräusch sind.

Die Funktion „MaxBus“ eliminiert die schlechte Tonqualität, die daraus resultiert, daß ein Sprecher durch mehrere Mikrofone gleichzeitig aufgenommen wird (Laufzeitdifferenzen). Die Anzahl der Mikrofone die durch eine Schallquelle aktiviert werden können, wird mit dieser Funktion kontrolliert. Mit „MaxBus“ kann ein Sprecher nur einen FP410E Kanal öffnen, auch wenn mehrere Mikrofone den Redner „hören“.

„Last Mic Lock-On“ garantiert ein weitgehend konstantes Summensignal, ohne Einbrüche nach Abschalten der Mikrofone. Diese Funktion hält das jeweils zuletzt besprochene Mikrofon solange geöffnet, bis ein anderer Kanal durchschaltet. Ohne „Last Mic Lock-On“ kann es passieren, daß in einer Pause der Konversation alle Mikrofone abschalten, das so klingen kann als sei das Audio-Signal verloren gegangen. „Last Mic Lock-On“ garantiert, daß die Rauminformation („Atmo“) immer präsent ist.

Beschallungsaufgaben mit vielen Mikrofonen und einer großen Anzahl von Teilnehmern waren für den Tontechniker schon immer problematisch. Werden zu wenige Mikrofone verwendet, kann es zu unterschiedlichen Pegeln kommen, bei denen der Sprecher, der dem Mikrofon am nächsten ist, lauter und deutlicher klingt als der nächste. Sprecher die sich am weitesten vom Mikrofon entfernt befinden, klingen hallig, da nur sehr wenig vom Direktschall ihrer Sprache die Mikrofone erreicht. Werden zu viele Mikrofone eingesetzt, wird mehr störendes Hintergrundgeräusch und Raumhallanteil aufgenommen und außerdem sinkt die Rückkopplungsschwelle, d.h. daß weniger Verstärkung vor Koppeleinsatz möglich ist.

Es ist so ähnlich als würden mehrere Videokameras alle auf einen Redner gerichtet sein. Wenn diese Kamerasignale zusammen gemischt werden, ist das Resultat ein verschwommenes, unscharfes Bild. Auch ist das manuelle Öffnen und Schließen der Mikrofo-

ne am Mischpult, bedingt durch die Komplexität der Anlage oft nicht möglich. Die Lösung ist der Automatische Mikrofonmischer FP410E.

Der FP410E dämpft automatisch jedes Mikrofon, das gerade nicht benötigt wird und reduziert damit enorm störende Hallanteile und die Rückkopplungsprobleme, die normalerweise in der Multi-Mikrofontechnik bei Ela-Anlagen bestehen. Beginnt ein neuer Teilnehmer zu sprechen, wählt der FP410E sofort das bestmögliche Mikrofon und schaltet es unhörbar durch. Die Elektronik des Signalprozessors *Shure IntelliMix* garantiert eine klare, natürliche Sprachübertragung mit höchster Sprachverständlichkeit. Der FP410E reduziert wesentlich die Probleme des halligen, mit Störanteilen beladenen Audio-Signals, unzureichende Schalldruckpegel (bedingt durch Rückkopplung) und mögliche Bedienungsfehler. Tatsächlich werden Bedienfehler sprichwörtlich ausgeschaltet, da der FP410E kein Bedienpersonal oder Techniker zur ständigen Justierung benötigt—einmal aufgebaut arbeitet die Automatik völlig selbständig.

Für den FP410E gibt es unzählige Einsatzgebiete in Video-Produktionen, Recording, Rundfunk und Fernsehen, sowie im Ela-Bereich. In allen Applikationen mit Sprachübertragung, in denen mehrere Mikrofone eingesetzt werden, bringt der FP410E eine enorme Verbesserung der Audio-Qualität. Die Umschaltung von manuellem auf Automatik-Betrieb erlaubt es einem einzelnen Sprecher, seine Stimme über das Hintergrundgeräusch und den Raumhall hinweg zu heben und damit an Klarheit und Sprachverständlichkeit zu gewinnen.

Jeder FP410E bietet bis zu vier Mikrofon- oder Leitungspegel-Eingänge. Jedes qualitativ hochwertige, niederohmige, symmetrische Mikrofon mit dynamischem oder Kondensator*-Wandler (einschließlich drahtlose und Rohrrecht-Mikrofone) kann verwendet werden. Durch Zusammenschaltung zusätzlicher FP410E Mischer über die rückwärtigen „Link“ Buchsen kann die Anzahl der Kanäle erweitert werden. Durch einen von der Frontseite zugänglichen Schalter kann auf manuellen Betrieb umgeschaltet werden.

Der FP410E wird mit optional nutzbaren Gummifüßen für Positionierung auf glatten Oberflächen, einem kurzen Verbindungskabel zum Einschleifen eines weiteren FP410E und einem Montagekit für die Installation in einem Standard 19" Rack geliefert.

Der FP410E dient zum Betrieb mit 230 V Wechselstrom (Leistungssicherung 0,05 Amp.) Das Kabel ist mit einem Wechselstrom-Schukostecker versehen.

*mit Batteriebetrieb oder externer Phantomspannung 14...48 V=

Technische Besonderheiten

- *Zuverlässige, schnelle und geräuschfreie Mikrofon-Selektion— automatische Anpassung an wechselnde Hintergrundgeräusche*
- *Pegelsteller für Einzelkanäle und Summensignal auf Gerätefrontseite, wie bei konventionellen Mixern*
- *Wählbare Haltezeit hält die Mikrofone während Sprechpausen geöffnet*
- *Wählbare Abschalt-dämpfung ergibt „beruhigtes“ Summensignal*
- *Automatische Verstärkungsanpassung sorgt für gleichbleibendes Summensignal bei Zuschaltung weiterer Mikrofone*
- *Abschaltbare „Last Mic Lock-On“-Funktion hält zu jeder Zeit mindestens ein Mikrofon geöffnet, gewährleistet gleichbleibende „Atmo“ und verhindert Geräuschatmen*
- *Weitreichender, linearer Frequenzgang und geringe Verzerrungen bis zu +18 dBm Ausgangssignal*
- *Kaskadierungsmöglichkeit für über 25 Mischer und damit über 100 Mikrofone*
- *LED Anzeige für Einzelkanalpegel, Ausgangspegel und Begrenzer-Aktivität*
- *Automatische Stummschaltung während des Ein- und Ausschaltens verhindern störende Schaltknackse und eventuelle Lautsprecherbeschädigung*
- *Übertrageregekoppelte symmetrische Ein- und Ausgänge, umschaltbar Mikrofon-/Leitungspegel*
- *Separate Anschlüsse für Monitoreingang und Band-Ausgang (AUX Pegel)*
- *Anschlußbuchsen für Monitor-Kopfhörer mit Pegelsteller auf der Geräte-Frontseite*
- *Schalter für manuellen Betrieb auf Geräte-Frontseite*
- *Wahlweise Netz- oder Batteriebetrieb (zwei 9 V Batterien)*
- *Zuschaltbare Phantomspeisung (14 und 48 V=) für den Anschluß von Kondensator-Mikrofonen*
- *VDE-geprüft für Betriebssicherheit unter DIN VDE 0860/05.89 im Einklang mit CENELEC HD 195 S6.*

EINSTELLER, ANSCHLÜSSE UND ANZEIGEN (siehe Abbildung 1)

1. Mikrofon-Kanal-Pegelsteller 1...4: In „0“-Position sind diese Kanäle nicht in Betrieb. Durch Rechtsdrehung wird der Mikrofonkanal aktiviert und die Pegel-einstellung ermöglicht.
2. Input Normal (grüne LED): Sollte bei normalem Sprachpegel flackern.
3. Input High (rote LED): Sollte bei hohen Pegelspitzen aufleuchten.
4. Flat (—) /Low-Cut (↘) Schiebeschalter: Hochpaßfilter zur Verringerung störender tieffrequenter Signalanteile wie Trittschall oder Windgeräusche.
5. **MASTER** Drehpoti: Bestimmt den Summenpegel der Eingangssignale an den Mic/Line-, Tape- und Kopfhörer-Ausgängen. Durch Ziehen des Drehknopfes wird der 1 kHz Ton-Oszillator eingeschaltet (der Pegel wird durch die Einstellung des Master-Potis bestimmt). Das Oszillator-Signal steht an allen Ausgängen zur Verfügung. Nach Kalibrierung Drehknopf wieder eindrücken.
6. **PEAK/VU** Ausgangspegelmesser: Die Anzeigecharakteristik ist durch den Schiebeschalter PEAK/VU wählbar. In der Position PEAK werden die Signalspitzen angezeigt. In Stellung VU wird der Signal-Mittelwert als Simulation eines VU Meters angezeigt.
7. **BATTERY TEST** Kurzzeit-Schiebeschalter: Arbeitet zusammen mit dem PEAK/VU Meter und zeigt den Batterie-zustand an. Bei Power-Schalter in „on“-Position und Kurzzeitschalter in „on“-Stellung bewirkt ein neuer Batteriesatz das Aufleuchten aller grünen LED's. Die Anzahl der aufleuchtenden LED's geben

die ungefähre noch verbleibende Batterie-Lebensdauer bei Verwendung von Alkali Batterien an. HINWEIS: Die POWER LED beginnt zu blinken, sobald die Gesamt-Batteriespannung auf 10 V herabsinkt (eine grüne LED leuchtet).

8. **MANUAL/AUTO** Schiebeschalter: Hier kann wahlweise manueller oder Automatik-Betrieb für die Mikrofone eingestellt werden. In Position MANUAL arbeitet das Gerät wie ein herkömmlicher Mikrofonmischer. In Stellung AUTO werden die nicht benutzten Mikrofone automatisch abgeschaltet.
9. **LIMITER IN** Schiebeschalter: Aktiviert den schnell, auf Signalspitzen reagierenden, Begrenzer. Der Begrenzer verhindert das Entstehen von Entzerrungen durch Übersteuerungen bei hohen Pegelspitzen, ohne die Qualität des Gesamt-Programmmaterials hörbar zu beeinflussen. Die Begrenzeraktivität wird durch die rote LED angezeigt.
10. **PHONES** 6,3- und 3,5 mm Klinkenbuchsen: Anschluß für übliche Stereo- oder Mono-Kopfhörer zur Monitorkontrolle des Summensignals. Der PULL FOR MONITOR-Zugschalter führt das an der Geräte-Rückseite in der 3,5 mm Klinkenbuchse MON IN angelegte Signal auf den Kopfhörerverstärker. Bei aktiviertem Schalter erscheint das Mischer-Ausgangssignal nicht am Kopfhörer-Ausgang. Über das Drehpotentiometer PHONES kann der Monitorpegel für die Kopfhörer eingestellt werden.
11. **POWER** Schiebeschalter: Hiermit wird je nach Betriebsart die Batterie- oder Netzspannung zugeschaltet. Die angrenzende grüne LED leuchtet bei eingeschaltetem Gerät und blinkt bei Batteriebetrieb, wenn die Gesamt-Batteriespannung auf 10 V absinkt.
12. **230 V~, 50/60 Hz, 8 W** 3-poliger Netzstecker: Für 230 V~, 50/60 Hz Netzspannung.
13. **OUTPUT** 3-poliger XLR Stecker (Männchen): Ausgangsbuchse zum Anschluß an ein oder zwei Verstärker, Bandgeräte oder andere Mischer. Die Ausgangssignale sind individuell von Linepegel auf niederohmigen Mikrofonpegel durch den angrenzenden MIC/LINE Schiebeschalter anpaßbar. An beiden Steckverbindungen liegt das gleiche Signal an, sie sind jedoch elektrisch voneinander isoliert.
14. **TAPE OUT** 3,5 mm Klinkenbuchse: Hier steht das Ausgangssignal mit AUX Pegel zur Ansteuerung von Bandgeräten oder Verstärkern zur Verfügung.
15. **LINK IN/OUT** 8-polige DIN Buchse: Über diese Buchse ist zur Erweiterung der Anzahl der Eingangskanäle eine nahezu unbegrenzte Zahl weiterer FP410E Mischer zuschaltbar, ohne daß ein Eingang verloren geht. An dieser Schnittstelle steht das Audio-Signal, sowie die „MaxBus“ und die „Last Mic Lock-On“ Information zur Verfügung.
16. **MON IN** 3,5 mm Klinkenbuchse: Führt ein externes AUX oder Line Pegelsignal auf den Kopfhörerverstärker, ohne die übrigen Mischerfunktionen zu beeinflussen. Die Buchse wird durch Ziehen des PULL FOR MONITOR Knopfes auf der Geräte-Frontseite aktiviert.
17. **PHANTOM ON/OFF** Schiebeschalter: Hiermit kann eine Phantomspannung (14 V=) für Kondensator Mikrofone auf alle Eingänge zugeschaltet werden. Bei aktiviertem Schalter und INPUT MIC/LINE Schalter in MIC Position werden +14 V= an die Stifte 2 + 3 jedes XLR Eingangssteckers gelegt. HINWEIS: Die Phantomspannung kann intern auf 48 V= geändert werden (siehe entsprechende Beschreibung). Werden andere als Shure Kondensator Mikrofone verwendet, sollte vorher sichergestellt sein, daß die benötigte Spannung und der Quellwiderstand mit den Daten des FP410E kompatibel sind.
18. **INPUT 1—4** 3-polige XLR Buchse (Weibchen): Erlaubt den Anschluß von symmetrischen, niederohmigen Mikrofonen oder Line Pegelsignalen. Die Pegelanpassung erfolgt über den angrenzenden MIC/LINE Schiebeschalter.
19. Batteriegehäuse: Dient zur Aufnahme von zwei 9 V Kompaktbatterien für portablen Batteriebetrieb oder als Redundanz bei Ausfall der Netzspannung.

BITTE BEACHTEN

Das Gerät ist für den Dauerbetrieb geeignet. Das Gerät ist nur durch Ziehen des Netzsteckers vollständig von Netz abgeschaltet.

AUFBAU UND BEDIENUNG

Installation des Mixers

Der FP410E wird wie folgt installiert: Soll das Gerät auf einer horizontalen Oberfläche platziert werden, so sollten zunächst die 4 mitgelieferten GummifüÙe an den Ecken der Geräte-Unterseite angebracht werden.

Soll der FP410E in einem 19" Rack montiert werden, sind die beiden Kreuzschlitzschrauben von jedem Seitenpaneel des FP410E zu entfernen. Die Montage-„Ohren“ werden an den Rack-Seiten angebracht (Montagelöcher zeigen nach vorne) und die Ohren mit den vorher entfernten Kreuzschlitzschrauben festgeschraubt und gesichert. HINWEIS: Die Rack-Ohren sind asymmetrisch; das breitere Ohr sollte, um freien Zugang zum Batteriegehäuse in der Rack-Montage zu gewährleisten, auf der rechten Seite liegen. Abschließend wird das Gerät mit den 4 mitgelieferten Schrauben gesichert.

Die elektrischen Verbindungen:

1. Batteriebetrieb: Die Verschlusslaschen des Batteriegehäuses mit Daumen und Zeigefinger drücken und den Batteriehalter aus dem Gehäuse entnehmen. Unter Beachtung der markierten Batteriepolartät 2 frische 9 V Batterien (vorzugsweise Alkali) in den Batteriehalter einsetzen. Zur Prüfung der Batteriespannung bei eingeschaltetem Gerät den Batterie-Testschalter nach rechts schieben. WICHTIG: Die Batterie-Lebensdauer wird bei Zuschaltung der Phantomspannung, besonders bei 48 V= reduziert. Im Netzbetrieb erfolgt Anschluß an 230 V~, 50/60 Hz.
2. Mikrofon- und/oder Line-Pegel-Signalquelle an die Mikrofon-Eingangsbuchsen (mit normalem 2-adrig abgeschirmten Kabel) anschließen. Die Pegelanpassung erfolgt über die jeweils angrenzenden MIC/LINE Schalter.
3. Wird Phantomspannung für Kondensator Mikrofone benötigt, muß der Schalter „Phantom Power“ aktiviert werden. HINWEIS: Beim Anschluß anderer als Shure Kondensator Mikrofone ist vorher sicherzustellen, daß Spannung und Quellwiderstand mit den Daten des FP410E kompatibel sind.
4. Nachgeschaltete Mischer, Verstärker oder Bandgeräte werden über einen oder beide der FP410E Ausgänge angeschlossen. Es sollte sichergestellt sein, daß jeder MIC/LINE Schalter in der korrekten Position zur Pegelanpassung steht.
5. Wird ein unsymmetrisches Ausgangssignal mit AUX Pegel benötigt, so steht dieses an der Buchse TAPE OUT zur Verfügung.
6. Sollen zur Erhöhung der Anzahl der Eingangskanäle weitere FP410E Mixer eingeschleift werden, so werden diese über die Buchsen LINK IN und LINK OUT zugeschaltet. Hierbei ist LINK OUT des ersten Mixers mit dem LINK IN des nächsten Mixers zu verbinden usw. Der LINK IN des ersten Mixers und der LINK OUT des letzten Mixers bleiben somit unbeschaltet. HINWEIS: Die Link Buchsen dienen nur zur Kaskadierung weiterer FP410E Mixer und nicht als Audio Ein- oder Ausgänge.
7. Zur Monitorkontrolle des FP410E Summensignals ist ein Mono- oder Stereo-Kopfhörer an eine der auf der Frontseite liegenden Klinkenbuchsen (3,5 oder 6,3 mm) anzuschließen. Die gewünschte Lautstärke wird am entsprechenden Potentiometer eingestellt (nachdem die Mikrofon-Einzelkanäle und die Summenverstärkung entsprechend der Anleitung in der Sektion *Bedienung* eingestellt wurden).
8. Zur Monitorkontrolle einer externen Signalquelle wird diese der MON IN Buchse auf der Geräte-Rückseite zugeführt und der Drehknopf für die Kopfhörer Lautstärke nach außen gezogen. Die Lautstärke für die Kopfhörer und/oder der externe Pegel der Signalquelle sollten nach Wunsch eingestellt werden.

Bedienung

1. NetztaÙte (Power) einschalten und den Schiebeschalter Manual/Auto in Position Manual stellen.
2. Den Aussteuerungsmesser wahlweise auf „Peak“ oder „VU“ stellen.
3. Mit dem internen 1 kHz Tongenerator können die nachfolgenden Geräte (Mischpult, Verstärker, Bandgerät etc.) im Pegel kalibriert und an den FP410E angepaÙt werden. Der Tongenerator wird durch Ziehen des Summenstellers (Master) aktiviert. Der Generatorpegel am Ausgang des FP410E wird über den Summensteller kontrolliert. Nach dem Kalibriervorgang muß der Tongenerator durch Eindrücken des Summenpegelstellers wieder abgeschaltet werden.
4. Das Mikrofon, das an Kanal 1 des FP410E angeschlossen ist, besprechen und langsam die Verstärkung am Pegelsteller für Kanal 1 bis zu dem Punkt anheben, bei dem die grüne LED bei normaler Sprachlautstärke ständig flackert und die rote LED nur bei sehr lauten Passagen (Pegelspitzen) gelegentlich aufleuchtet.
5. Die übrigen Kanäle des FP410E in gleicher Weise einstellen.
6. Schalter für den Hochpaßfilter „Flat“ (—) / „Low-Cut“ (∩) an jedem Kanalpegelsteller wunschgemäß einstellen. Die Position „Low Cut“ reduziert tieffrequente Störkomponenten, wie Trittschall, Raumgeräusche etc.
7. Den „Manual/Auto“-Schalter auf „Auto“ stellen. In ca. 1 Sekunde schalten sich die nicht benutzten Mikrofone ab, und der Pegel eines Sprechers steigt über den Pegel des Hintergrundgeräusches und des Raumhalls. Die Sprachverständlichkeit steigt hierbei wesentlich.
8. Den Summensteller des FP410E auf den gewünschten Pegel des Ausgangssignals nach Bedarf entsprechend der Peak- oder VU Meter-Anzeige oder den Erfordernissen der nachgeschalteten Geräte einstellen.
9. Der FP410E ist nun betriebsbereit.

ÄNDERBARE FUNKTIONEN

Mit den werkseitigen Einstellungen ist der FP410E für Automatik- oder manuellen Betrieb einsetzbar. Eine noch höhere Flexibilität gewinnt das Gerät durch zusätzliche, leicht zugängliche Schalter, die sichtbar werden, wenn die Batteriehalterung entfernt wird. Werkseitig stehen alle Schalter in der Position „Up“. Alle Änderungen erfolgen durch Umschalten in die untere Position. Die Schalterpositionen sind durch einen Aufkleber unterhalb des Batteriegehäuses markiert (siehe Abbildung 2).

VU Meter (Schalter # 1), Verändert die VU Meter Einstellung, werkseitig auf +4 dBm = 0 VU eingestellt. Umschaltung ergibt +8 dBm = 0 VU (der Schalter hat keinen Einfluß auf die Kalibrierung des LED-Ausgangspegelmessers in der Position „Peak“).

Begrenzer-Arbeitspunkt (Schalter # 2 + 3). Verändert den Arbeitspunkt des Begrenzers (den Ausgangspegel bei dem der Begrenzer einsetzt) von werkseitig eingestellten +16 dBm auf entweder +8 dBm, +4 dBm oder 0 dBm. Die Schalterpositionen sind in Abbildung 2 dargestellt.

Abschaltedämpfung (Schalter # 4). Verändert die Abschaltedämpfung von werkseitig eingestellten 134 dB auf Unendlich (∞). In der Stellung „13 dB“ wird ein unbenutztes Mikrofon um 13 dB gegenüber dem aktivierten Zustand gedämpft. In der Position ∞ wird ein nicht benutztes Mikrofon komplett abgeschaltet.

Haltezeit (Schalter # 5) Ändert die Haltezeit (die Zeit, die ein Mikrofon—außer dem zuletzt angesprochenen, ständig geöffneten—noch eingeschaltet bleibt, nachdem der Redner aufgehört hat zu sprechen) von 0,4 Sekunden auf 1 Sekunde.

Abschaltung „Last Mic Lock-On“ (Schalter # 6). Die Funktion „Last Mic Lock-On“ hält das jeweils zuletzt angesprochene Mikrofon solange offen, bis ein anderes Mikrofon aktiviert wird. Diese Funktion kann abgeschaltet werden, so daß alle Mikrofone nach Ablauf der Haltezeit deaktiviert werden.

Phantomspannung (Schalter # 7). Die Phantomspannung für Kondensator Mikrofone, werkseitig auf 14 V= eingestellt, kann hiermit auf 48 V= geändert werden. **ACHTUNG:** Es muß sichergestellt sein, daß die anzuschließenden Kondensator Mikrofone mit der gewählten Phantomspannung übereinstimmen. Können die Mikrofone mit 14 V Phantomspannung einwandfrei arbeiten, so sollte zur Vermeidung unnötigen Batterieverbrauchs diese Schalterstellung gewählt werden.

INTERN MODIFIZIERBARE FUNKTIONEN

WARNUNG

Die Spannungen im Innern des Gerätes können lebensgefährlich sein. Hier befinden sich keine für den Anwender wichtigen Teile. Alle Servicearbeiten sollten ausschließlich von qualifiziertem Personal durchgeführt werden.

Zusätzlich zu den zuvor beschriebenen, durch den Anwender änderbaren Funktionen, bietet der FP410E noch weitere Änderungsmöglichkeiten seiner Funktionen an, die durch qualifizierte Techniker vorgenommen werden können. Anleitungen zur Durchführung dieser Modifikationen sind im FP410E Handbuch enthalten. Die möglichen Modifikationen sind:

1. Änderung der Empfindlichkeit für den Monitor.
2. Änderung des „Tape Out“ Pegels.
3. Änderung der Abschalttdämpfung.
4. Änderung der Eckfrequenz des Hochpaßfilters.
5. Änderung der Ansprech- und Abklingzeitkonstanten für den Spitzenwertmesser (Peak-Meter).
6. Änderung der 0 VU Meter Kalibrierung auf andere Werte als +4 oder +8 dBm.
7. Änderung des Begrenzer-Arbeitspunktes über die Festeinstellung hinaus, die durch die Schalter 2 + 3 (siehe Abbildung 2) möglich sind.
8. Änderung zur ständigen Aufschaltung von einem oder mehreren Mikrofonen.
9. Änderung zur Vermeidung der gleichzeitigen Aktivierung mehrerer Mikrofonkanäle.
10. Änderung der Haltezeitwerte.
11. Änderung der „Monitor In“ Buchse in eine „AUX In“ Funktion zur Kaskadierung von Mischern oder zur Erzielung eines „Mix-Minus“.
12. Änderung zur Reduzierung des Monitor-Pegels für die Kopfhörer bei aktiviertem „Pull For Monitor“ Schalter.

WARNUNG

Die Sicherheits-Zulassungen des FP410E sind nach Änderung der werkseitig eingestellten Netzspannung nicht mehr gültig.

ZUSÄTZLICHE INFORMATIONEN

Begrenzer

Durch den auf der Frontseite befindlichen Begrenzerschalter (Limiter) wird ein schnell reagierender, Spitzenwert-Begrenzerkreis zugeschaltet, der Verzerrungen durch hohe Pegelspitzen verhindert, ohne das normale Programmaterial zu beeinflussen. Bei aktiviertem Schalter wird die Ausgangsspannung des FP410E auf ca. +16 dBm begrenzt. Die Anhebung der Einzelkanalverstärkung oder der Summenverstärkung erhöht den mittleren Wert der Ausgangsspannung und den Begrenzeranteil. Der Begrenzer-Arbeitspunkt kann von der werkseitigen Einstellung entsprechend den Hinweisen geändert werden. Die rote LED auf der Geräte-Frontseite am Begrenzerschalter leuchtet bei Erreichen des Begrenzer-Schwellwertes.

Kaskadierung mehrerer Mischer

Der FP410E bietet 4 Mikrofon-Eingänge. Werden weitere Eingänge benötigt, so können mit Hilfe des beigefügten Verbindungs-

kabels mehrere FP410E (über 25, falls erforderlich) über die „Link“ Schnittstelle verbunden (kaskadiert) werden. Ein solcher Aufbau kann über 100 Mikrofoneingänge bereitstellen. Werden alle Mischer über die Link Buchsen untereinander verbunden (Link Out an Link In, wobei ein Link In und ein Link Out Anschluß frei bleibt) ist die automatische Mischfunktion für alle zusammengeschalteten Geräte sichergestellt.

Bei Zusammenschaltung mehrerer FP410E Mischer wird auch die *Shure IntelliMix* Funktion auf alle Mischer übertragen, so daß ein einziges, einheitliches Multi-Mikrofon-System entsteht. Alle Eingangssignale (außer dem „Monitor In“-Signal) stehen an allen kaskadierten Mischeraustritten zur Verfügung.

Die auf das Ausgangssignal bezogenen Einsteller und Funktionen jedes Mischers in der Kette sind „post-link“ geschaltet und haben keine Auswirkung auf das Signal an den anderen Mischeraustritten dieser Kette. Jeder Mischeraustritt kann zur Erzielung individueller Resultate unterschiedlich eingestellt werden. Zu diesen Einstellungen gehören: Summenpotentiometer (Master), 1 kHz Tongenerator, Peak/VU Meter Schalter, „Limiter In“ und Begrenzer-Arbeitspunktschalter, Kopfhörer- und Monitor-Lautstärke und der Dämpfungsschalter. HINWEIS: Die tatsächliche Abschalttdämpfung in der 13 dB Schalterposition nimmt mit der Anzahl der zugeschalteten Mischer ebenfalls zu. Hierdurch werden Raumstörgeräusche und Raumhallanteil, die durch eine zunehmende Anzahl von Mikrofonen verursacht werden, reduziert.

Die zu den Eingangskanälen gehörenden Steller und Funktionen jedes Mischers in der Kette liegen „pre-link“ und haben keine Auswirkung auf die Eingangskanäle der übrigen Mischer. Die eingestellten Werte für diese Eingänge wirken sich im Summenausgang aller zusammengeschalteten Mischer aus. Zu diesen Stellungen und Funktionen gehören: Eingangskanal-Pegelsteller, Schalter für die Hochpaßfilter, Manual/Auto-Schalter, Phantomspannungs-Schalter, Phantomspannungs-Wählschalter, Haltezeit-Schalter und „Last Mic Lock-On“-Schalter.

Verbindungskabel

Zusätzliche Verbindungskabel können entweder käuflich erworben (Shure Teile # 95A1143; 30 cm lang) oder selbst hergestellt werden (hochwertiges, 7-adriges, abgeschirmtes Kabel [Stift 1 = Abschirmung] mit 8-poligem Mini-DIN Stecker an jedem Ende). Die maximale Länge dieses „Link“ Kabels hängt von den Bedingungen für die Masseführung dieser unsymmetrische Leitung ab.

FP410E und Mischpulte

Der FP410E kann zusammen mit großen Mischpultkonsolen eingesetzt werden, z.B. für die automatische Mischung von Talk-Shows, Diskussionsforen oder Roundtable-Gesprächen. Große Mischpulte besitzen Insertpunkte für das Einschleifen externer Signalprozessoren in die einzelnen Kanäle. Diese Inserts benötigen normalerweise Line Pegelsignale.

Der FP410E kann sein Signal aus diesen Schnittstellen erhalten, wobei der Ausgang des FP410E dann auf einen Sub-Masterfader des Mischpultes zurückgeführt wird. Dieses Arrangement erlaubt dem Tontechniker volle Kontrolle jedes Kanals, wobei der FP410E die Anzahl der jeweils offenen Mikrofone auf ein Minimum hält und damit den Bediener von der schwierigen Aufgabe entlastet, die einzelnen Mikrofonkanäle ständig zu öffnen und zu schließen.

MITGELIEFERTES ZUBEHÖR UND ERSATZTEILE

Batteriehalter, komplett	90GJ2600
Gummifüße (4 Stück)	90S8100
gedruckte Platine (PCB kpl.)	90B8368A
Drehnöpfe, Summe und Kopfhörer	95A8238
Drehknopf, Eingangskanal	95B8238
Netzkabel (FP410E)	95A8231
Netzkabel (FP410EE)	95A8247
Verbindungskabel (Link)	95A1143
19"-Montagehalterung (links)	53A8252
19"-Montagehalterung (rechts)	53A8253

TECHNISCHE DATEN

Meßbedingungen (wenn nicht anders angegeben): Netzspannung 120 V~, 60 Hz (FP410EE: 230 V~, 50/60 Hz); volle Verstärkung; 1 kHz, 1 Kanal aktiviert; Ausgangsabschluß: Line 600 Ω, Mic 150 Ω, Tape 50 k Ω, Kopfhörer 200 Ω; Auto-Modus

Übertragungsbereich (Steller auf Mittenstellung)

25...20 000 Hz, +0,5, -2 dB (jeder Eingang zu jedem Ausgang)

Spannungsverstärkung

Eingang	Ausgang			
	Line	Mic	Kopfhörer	Tape
niederohmiges Mikrofon (150 Ω)	93 dB	43 dB	97 dB	74 dB
Line	42 dB	-8 dB	46 dB	23 dB
Monitor	—	—	9 dB	—

Eingänge

Eingang	Impedanz		
	für Anschluß	intern	Engangs-Clipping-Pegel
Mikrofon	19...600 Ω	900 Ω	-15 dBV
Line	≤10 k Ω	66 k Ω	bis >+26 dBV
Monitor	≤1 k Ω	25 k Ω	+21 dBV

Ausgänge

Ausgang	Impedanz		
	für Anschluß	intern	Ausgangs-Clipping-Pegel
Mikrofon	alle niederohmigen Mic-Eingänge	0,5 Ω	-31 dBV (28 mV) Minimum
Tape	>10 k Ω	1 k Ω	-2 dBV (800 mV)
Kopfhörer	8...200 Ω 200 Ω empf.	500 Ω	+6 dBV (2 V)
Line	600 Ω	100 Ω	+19 dBm (6,9 V) Minimum

Harmonische Gesamtverzerrungen (Steller auf Mitte [5], +4 dBm am Line Ausgang)

≤0,25%, 50...20 000 Hz

Geräuschspannungsabstand

äquivalentes Eingangsrauschen -128,5 dBV
 äquivalentes Eingangsrauschen u. Brummen ... -128,5 dBV
 Ausgangsrauschen (300...20 000 Hz; Kanalsteller auf Linksanschlag)

Summensteller auf Linksanschlag -82 dBV
 Summensteller auf Rechtsanschlag -71 dBV
 Ausgangsbrummen und Rauschen (20...20 000 Hz; Kanalsteller auf Linksanschlag)

Summensteller auf Linksanschlag -74 dBV
 Summensteller auf Rechtsanschlag -70 dBV

Symmetrie-Dämpfung

65 dB Minimum bei Eingangssignal -20 dBV bei 100 Hz

Polarität

Stift 2 der symmetrischen Ein- und Ausgänge liegt phasengleich mit dem Tip der unsymmetrischen Ein- und Ausgänge

Eingangskanal-Aktivierung (Gate)

Ansprechzeit 4 ms
 Haltezeit 0,4 s (umschaltbar auf 1 s)
 Abklingzeit 0,5 s

Abschaltdämpfung

13 dB, fest (schaltbar auf ∞) (Einzelmischer; Dämpfung steigt mit zunehmender Anzahl von kaskadierten Mischern)

Überlast- und Kurzschluß-Schutzschaltung

Kurzschluß der Ausgänge, auch über einen längeren Zeitraum, verursacht keine Schäden. Mikrofoneingänge werden durch Signale bis zu 3 V nicht beschädigt; Line- und Monitor-Eingänge sind signalfest bis zu 20 V

Hochpaßfilter

6 dB/Oktave unterhalb 170 Hz

Begrenzer

Arbeitspunkt +16 dBm (schaltbar +8, +4, 0 dBm)
 Ansprechzeit 3 ms
 Abklingzeit 350 ms
 Anzeige leuchtet bei Begrenzereinsatz

Aussteuerungsmesser

VU Meter Kalibrierung: 0 VU = +4 dBm (schaltbar auf +8 dBm)
 Peak Meter:
 Anstiegszeit 2 ms Zeitkonstante (0,9 ms/LED Stufe)
 Abklingzeit 180 ms Zeitkonstante (83 ms/LED Stufe)

Ton-Generator

1 kHz, ±10%, THD <0,5%

Phantomspannung

14 V=, ohne Last, 1 k Ω Serienwiderstand, Eingangsschalter in Mic Position (intern umschaltbar auf 48 V=, 4,5 k Ω Serienwiderstand)

Betriebsspannung

Netzbetrieb: 100...120 V~ nominal, 80...132 V~ Arbeitsbereich (FP410E); 230 V~ nominal, 160...264 V~ Arbeitsbereich (FP410EE); 50/60 Hz, 8 W

Batteriebetrieb: 18 V= nominal bei 25 mA typisch, ohne Signal 33 mA typisch bei 0 VU (+4 dBm) Ausgang an 600 Ω Last; 6 V= Minimum; Batteriebensdauer ca. 12 Stunden mit Alkali Batterien bei +4 dBm Ausgang im Dauerbetrieb bei Raumtemperatur; zwei 9 V Batterien (NEDA 1604A, o.ä.)

Temperaturbereich

Betriebstemperatur -18...57° C
 Lagertemperatur -29...71° C

Gesamtabmessungen

36,8 cm x 4,45 cm x 21 cm (B x H x T), Höhe ohne Füße

Nettogewicht

2,27 kg

Zertifikat

VDE-sicherheitsgeprüft unter DIN VDE 0860/05.89 im Einklang mit CENELEC HD 195 S6.

Erfüllte Vorschriften

Hiermit wird bescheinigt, daß der FP410E, Automatik Mischer, in Übereinstimmung mit den Bestimmungen der vfg 243/1992 funk-entstört ist. Der Zentralamt für Zulassungen im Fernmeldewesen wurde das inverkehrbringen dieses Gerätes angezeigt und die Berechtigung zur Überprüfung der Serie auf Einhaltung der Bestimmungen eingeräumt.

El Modelo FP410E de Shure es un mezclador de micrófonos automático diseñado para su uso en una extensa variedad de aplicaciones para captación de voces con micrófonos múltiples. El Modelo FP410E está basado en un notable concepto operativo nuevo, *Shure IntelliMix*. Proporciona una mezcla impecable automática mediante la combinación de tres funciones exclusivas:

Umbral adaptable al ruido

MaxBus, y

Retención del último micrófono

El umbral adaptable al ruido distingue entre el ruido de fondo constante (tal como el del aire acondicionado) y el sonido que cambia rápidamente (tal como la voz). Esta función ajusta continuamente el umbral de activación de modo que un canal FP410E es activado solamente por niveles de voz más altos que el sonido de fondo.

El MaxBus elimina la mala calidad auditiva causada cuando más de un micrófono recoge la voz del conferenciante. Lo consigue controlando el número de micrófonos que se pueden activar para una sola fuente de sonido. Con MaxBus, un conferenciante activa sólo un canal FP410E, incluso si más de un micrófono están "escuchando" su voz.

La retención del último micrófono mantiene una mezcla de audio sin interrupciones, al conservar abierto el micrófono activado más recientemente hasta que un micrófono recién activado toma su lugar. Sin esta característica, una pausa larga en la conversación podría permitir que se apagaran todos los micrófonos y podría sonar como si se hubiesen perdido todas las señales. La retención del último micrófono asegura que el sonido ambiente está siempre presente.

Las situaciones con múltiples micrófonos cuando participan varios conferenciantes siempre han presentado problemas para el técnico de sonido. Si utiliza pocos micrófonos, la cobertura de cada conferenciante puede variar; el conferenciante más cercano al micrófono puede sonar más alto y claro que el siguiente. Los conferenciantes *más alejados* de los micrófonos producirán "eco" y reverberación, puesto que sólo una pequeña parte del sonido directo de sus voces alcanza los micrófonos. En cambio, si usa demasiados micrófonos se capta demasiado ruido de fondo y reverberación y en caso de usar un sistema de refuerzo del sonido (PA), habrá menos amplificación antes de la reacción.

En cierto modo es como si hubiera varias cámaras de vídeo enfocadas en el mismo punto. Si se combinan las señales de esas cámaras, la imagen resultante será borrosa. Cuando se abren múltiples micrófonos para un sólo conferenciante, la señal auditiva resultante no es clara. Pero con frecuencia no es práctico tener a alguien que conecte los micrófonos cuando se necesitan y los desconecte cuando no se necesitan. La respuesta es el mezclador de micrófonos automático FP410E.

El FP410E atenúa automáticamente cualquier micrófono que no esté en uso, reduciendo gradualmente el exceso de reverberación y los problemas de reacción asociados con el uso de múltiples micrófonos y técnicas de mezcla convencionales. Cuando comienza a hablar un nuevo conferenciante, el FP410E inmediatamente selecciona y activa en silencio el micrófono más apropiado. El procesamiento de la señal electrónica *Shure IntelliMix* permite al FP410E proporcionar un sonido de la voz claro y natural. El FP410E reduce considerablemente los problemas de sonido "retumbante" o "turbio", de nivel de sonido insuficiente (a causa de la reacción o el "aullamiento") y los errores del operador. De hecho, estos errores quedan virtualmente eliminados puesto que el FP410E no necesita ajustes continuos realizados por el operador o el técnico; una vez instalado, es totalmente autosuficiente.

El FP410E tiene numerosas aplicaciones en producción de vídeo y grabación auditiva, retransmisión y refuerzo del sonido. En cualquier aplicación de registro de voces que requiera múltiples micrófonos, el FP410E mejora muchísimo la calidad auditiva. El

cambio de la operación manual a la automática permite que la voz de un conferenciante individual se eleve por encima del ruido de fondo y la reverberación, resultando más clara e inteligible.

Todos los FP410E pueden controlar un máximo de cuatro micrófonos o señales a nivel de línea. Se puede usar cualquier micrófono equilibrado de alta calidad y baja impedancia con un transductor dinámico o de condensador* (incluyendo los tipos sin hilos y de escopeta). Se pueden interconectar mezcladores FP410E adicionales usando los jacks de enlace del panel posterior. También se puede efectuar la operación manualmente, usando un conmutador selector en el panel frontal.

El FP410E tiene unos bloques (patas) opcionales para su uso sobre superficies horizontales, un cable corto para enlazar dos mezcladores FP410E y un juego de montaje en estante para instalarlo en un estante estándar de 483 mm (19 pulgadas) para equipo auditivo.

El FP410E está diseñado para operación con energía de 230 VCA (seccionador de línea de 0,05 A) y su cable de alimentación termina con un enchufe Schuko de CA.

* Puede operar con su propia corriente o con corriente fantasma de 14 a 48 VCC.

Características

- *Selección de micrófono sin problemas, rápida, sin ruido; se ajusta automáticamente a los cambios en el ruido de fondo del recinto*
- *Los controles principales y de amplificación de canal del panel frontal funcionan como los de los mezcladores convencionales.*
- *El tiempo de espera ajustable mantiene los micrófonos conectados durante las pausas breves en la conversación.*
- *Control seleccionable Off-Atenuación para operación sin interrupciones.*
- *Ajuste de amplificación automático cuando se activan micrófonos adicionales.*
- *El circuito anulable de retención del último micrófono mantiene al menos un micrófono conectado en todo momento, manteniendo la acústica ambiental e impidiendo la confusión de cambios del sonido de fondo.*
- *Respuesta ancha de frecuencia plana y distorsión baja con salida de hasta +18 dBm.*
- *Capacidad de enlace para sistemas con más de 25 mezcladores y más de 100 micrófonos.*
- *Indicación LED de los niveles de mezcla de canales del micrófono, nivel de salida y acción limitadora.*
- *Sistema silenciador automático que previene los golpes sordos molestos y las averías del altavoz cuando se conecta y se desconecta la unidad.*
- *Entradas y salidas balanceadas por transformador, conmutables a nivel de línea o de micrófono.*
- *Jacks de entrada de monitor y salida de cinta (nivel auxiliar) independientes.*
- *Jacks de monitor de auriculares del panel frontal con control de nivel.*
- *Conmutador para autoincapacitar en el panel frontal que permite la operación manual.*
- *Funciona con la corriente alterna principal o con dos baterías de 9 V.*
- *Potencia fantasma conmutable de 14 V y de 48 V para micrófonos de condensador.*
- *Aprobado por VDE y cumple con los requisitos de seguridad del código DIN VDE 0860.05.90 de acuerdo con CENELEC HD 195 S6*

CONTROLES, CONECTADORES, INDICADORES

(Vea la Figura 1)

1. Controles de amplificación del canal del micrófono **1 – 4**: En la posición "0", el canal del micrófono es eliminado de la operación. Haciendo girar el control hacia la derecha se activa el canal del micrófono, permitiendo ajustar el nivel del micrófono.
2. Entrada normal, LED verde; debe parpadear con los niveles de voz normales.
3. Entrada alta, LED roja; debe parpadear sólo en los máximos de voz alta.
4. Conmutadores corredizos Plano (—)/Bajo–Corte (↘): proporcionan amortiguación progresiva de baja frecuencia para reducir las señales de baja frecuencia indeseables tales como el ruido de viento.
5. Control giratorio **PRINCIPAL (MASTER)**: Determina el nivel de las señales de entrada combinadas en las salidas de Mic/Línea, Cinta y Micrófonos. La posición TIRAR HACIA AFUERA PARA TONO DE 1 kHz activa el oscilador de 1 kHz (el nivel de tono está determinado por el ajuste del control Master). La señal del oscilador aparece en todas las salidas. Mientras no se use el oscilador, el mando debe estar hacia dentro.
6. Indicador **PICO/UV (PEAK/UV)** de nivel de salida: La función del indicador es seleccionada por el conmutador corredizo contiguo PICO/UV. En la posición del conmutador PICO, el indicador indica los niveles máximos de las señales. En posición UV, indica niveles de señales medias, simulando un vúmetro auténtico.
7. Conmutador corredizo momentáneo **PRUEBA DE BATERIAS (BATTERY TEST)**: Funciona juntamente con el Indicador PICO/UV para indicar el estado de las baterías. Cuando el conmutador POTENCIA está conectado y este conmutador está en posición momentáneo–on, con un juego nuevo de baterías se encienden todas las luces verdes LED. El número de luces LED verdes encendidas indica aproximadamente la duración restante de las baterías, cuando se usan baterías alcalinas. AVISO: la luz POTENCIA LED comienza a destellar cuando el voltaje de suministro total de las baterías cae hasta 10 VCC (una luz verde LED encendida.)
8. Conmutador corredizo **MANUAL/AUTO**: Selecciona el modo de operación manual o automático del micrófono. En posición MANUAL, la unidad funciona como un mezclador de micrófono convencional. En posición AUTO, los micrófonos no usados se desconectan automáticamente.
9. Conmutador corredizo **ENTRADA LIMITADOR (LIMITER IN)**: Activa el circuito limitador de acción rápida que responde a los picos de corriente, para cortar la distorsión por sobrecarga durante intervalos de volumen fuerte del programa sin afectar a los niveles normales del programa. La luz roja LED del limitador indica que está actuando.
10. Jacks de entrada **AUDIOFONOS (PHONES)** de 1/4 de pulgada y 3,5 mm: permiten controlar la salida del mezclador a través de la mayoría de los auriculares estéreo o mono. El conmutador TIRAR PARA MONITOR aplica la señal del telefonjack MON ACTIVO de 3,5 mm al amplificador de los auriculares. Cuando el conmutador está activado, la señal de salida del mezclador no aparece en la salida de los auriculares. El control giratorio Audiofonos determina el nivel de los auriculares en cualquier caso.
11. Conmutador corredizo **POTENCIA (POWER)**: Aplica corriente alterna o potencia de las baterías a los circuitos del mezclador. La luz verde LED contigua indica la entrada de corriente y, cuando funciona con baterías, destella cuando el voltaje total de las baterías cae hasta 10 VCC.
12. Conector de 3 clavijas de potencia de **230 VCA, 50/60 Hz, 8 W**: Para conexión con tomacorrientes de 230 VCA, 50/60 Hz.
13. Conectores machos XLR de 3 clavijas **SALIDA (OUTPUT)**: Para conexión con uno o dos amplificadores, grabadoras u otros mezcladores. Los niveles de señales de salida son conmutables individualmente a nivel de línea o nivel de micrófono de baja impedancia mediante conmutadores corredizos contiguos indivi-

duales MIC/LINEA. Ambos jacks proporcionan la misma información sobre la señal pero están aislados eléctricamente.

14. Telefonjack **SALIDA CINTA (TAPE OUT)** de 3,5 mm: Proporciona señal de salida para alimentar las entradas de nivel auxiliar sin equilibrar de la mayoría de los grabadores de cintas y amplificadores.
15. Jacks DIN miniatura de 8 clavijas **ENLACE ENTRADA/SALIDA (LINK IN/OUT)**: Estos jacks permiten enlazar un número prácticamente ilimitado de mezcladores FP410E usando cables de enlace, para conseguir capacidad de entrada adicional. Los jacks transportan información de señales auditivas, MaxBus y retención del último micrófono.
16. Telefonjack **MONITOR ENTRADA (MON IN)** de 3,5 mm: Envía la fuente externa auxiliar o a nivel de línea al amplificador de los auriculares sin interrumpir otras funciones del mezclador. El jack es activado cuando se tira hacia afuera del mando TIRAR PARA MONITOR que está en el panel frontal.
17. Conmutador corredizo **FANTASMA (PHANTOM) ON/OFF**: Controla la aplicación de potencia de 14 VCC para micrófonos de condensador para todas las entradas. Con el conmutador conectado y los conmutadores ENTRADA MIC/LINEA en posición MIC, se aplican +14 VCC a las clavijas 2 y 3 de cada uno de los conectores XLR de entrada. AVISO: la potencia fantasma puede ajustarse internamente a 48 VCC (consulte la sección *Funciones modificables*). Cuando utilice micrófonos de condensador que no sean de la marca Shure, verifique que los requisitos de voltaje y de resistencia de la fuente sean compatibles (consulte *Especificaciones*.)
18. Conectores hembra XLR de 3 clavijas **ENTRADA (INPUT) 1–4**: Permiten la conexión con micrófonos equilibrados de baja impedancia o con fuentes de nivel en línea. Los conmutadores corredizos contiguos MIC/LINEA ajustan las entradas para que correspondan a los niveles de la fuente.
19. Compartimiento de baterías: Capaz para dos baterías de 9 voltios para operación remota o como reserva automática, en caso de un fallo de la corriente.

ADVERTENCIA

Este producto no se desconecta completamente de la fuente principal de energía después de colocar el interruptor en posición Apagado (Off).

INSTALACIÓN Y OPERACIÓN

Instalación del mezclador

Instale el FP410E de la manera siguiente. Si la unidad se va a colocar sobre una superficie horizontal, fije los cuatro bloques suministrados a las esquinas de la parte inferior del chasis para no estropear la superficie.

Si se va a montar el FP410E en un estante estándar de 483 mm (19 pulgadas) para equipo auditivo, saque los dos tornillos Phillips de cada panel lateral del FP410E, coloque las "orejetas" del estante en su lugar a los costados (con los agujeros para montaje en el estante mirando hacia delante) y sujete las orejetas con los tornillos Phillips que sacó antes. AVISO: Las orejetas son asimétricas; la más ancha debe estar a su derecha (cuando usted mira hacia el panel frontal) para permitir acceso al compartimiento de baterías cuando el PF410 está en el estante. Instale el FP410E montado en su estante en el estante general del equipo y sujételo con los cuatro tornillos suministrados.

Haga las conexiones eléctricas de la manera siguiente:

1. Para funcionamiento con baterías, comprima los cierres de enganche de la caja de las baterías con el índice y el pulgar y saque la caja del compartimiento. Introduzca dos baterías frescas de 9 voltios en las ranuras de la caja, observando las marcas de polaridad. Con el conmutador de potencia conectado, deslice el conmutador de Prueba de Baterías hacia la derecha para determinar el estado de las baterías. **IMPORTANTE**: la duración de las baterías se reduce cuando los micrófonos funcionan con potencia fantasma, especialmente con la de 48 VCC. Para funciona-

- miento con corriente alterna, conecte el cordón eléctrico a una fuente de 230 VCA, 50/60 Hz.
- Conecte los micrófonos y las fuentes de señal a nivel de línea a los conectores Entrada Mic (use cables convencionales blindados de 2 conductores). Ajuste los conmutadores Mic/Línea según sea necesario para el nivel de señal de entrada.
 - Si se usan micrófonos de condensador con potencia fantasma, conecte el conmutador Potencia Fantasma del FP410E. AVISO: Si utilizan micrófonos que no sean Shure, verifique que los requisitos de voltaje y de resistencia son compatibles.
 - Conecte una o ambas salidas del FP410E a los mezcladores, amplificadores o grabadoras deseadas. Cerciórese de que el conmutador Mic/Línea de cada salida está en la posición correcta para los niveles de salida deseados.
 - Si es necesaria una salida a nivel auxiliar no equilibrada, conéctela al jack Salida de Cinta.
 - Si van a enlazar más mezcladores FP410E para aumentar el número de entradas de micrófonos, conéctelos usando los jacks Enlace de Entrada y Enlace de Salida. Conecte el ENLACE DE SALIDA del primer mezclador al ENLACE DE ENTRADA del mezclador siguiente, continuando de esta manera. Deje el jack ENLACE DE ENTRADA del primer mezclador y el jack ENLACE DE SALIDA del último mezclador sin conectar. AVISO: estos jacks se usan solamente para unir, no para entradas o salidas de audio.
 - Si es necesario supervisar la señal mezclada del FP410E con auriculares, conecte auriculares mono o estéreo a uno de los jacks AUDIOFONOS del panel frontal (1/4 de pulgada o 3,5 mm). Ajuste el mando de control Audiofonos para el volumen de sonido deseado (después de ajustar los controles de Canal y Amplificación Master del micrófono de acuerdo con la sección *Operación*.)
 - Para supervisar una fuente externa de señal, conéctela al jack Entrada Mon del panel posterior y tire del mando de control Fonos hacia afuera. Ajuste el control de Fonos y el control de nivel de la fuente externa para el volumen de sonido deseado.

Operación

- Conecte el conmutador de potencia y ponga el conmutador Manual/Auto en Manual. ADVERTENCIA: Este producto no queda completamente desconectado del suministro principal de corriente cuando se desconecta el conmutador de potencia.
- Ajuste el indicador Pico/UV a Pico o UV, según sea conveniente.
- Se puede usar el oscilador de tono interno de 1 kHz como auxiliar para alinear los niveles de los equipos conectados (master mixer, amplificador, grabadora, etc.) al nivel de salida del FP410E. El oscilador de tono se activa tirando del control de amplificación Master hacia afuera. Su nivel en la salida del FP410E se ajusta mediante el control de amplificación Master. Una vez ajustados los niveles del equipo, desconecte el oscilador de tono empujando el control de amplificación Master hacia adentro.
- “Hable” por el micrófono conectado a la entrada del Canal 1 del FP410E y suba lentamente el control de amplificación del Canal 1 hasta el punto donde la luz LED verde parpadee regularmente cuando hable normalmente, y la luz LED roja parpadee sólo en ocasiones, en los máximos de volumen de la voz.
- Ajuste la amplificación de los otros canales del FP410E de la misma manera.
- Ajuste los conmutadores Plano (—)/BajoCorte(⌒) continuos a cada control de amplificación según sea necesario. La posición bajo-corte reduce la captación de ruido ambiente de baja frecuencia.
- Ponga el conmutador Manual/Auto en Auto. En un segundo aproximadamente, las entradas no usadas del micrófono se desconectarán y el nivel de la voz de un conferenciante individual subirá por encima del ruido de fondo y de la reverberación, resultando más clara y más inteligible.

- Ajuste el control de Amplificación Master del FP410E para el nivel de salida deseado, según la indicación del indicador Pico o del vúmetro, o del equipo conectado.
- Ahora el FP410E está listo para la operación.

FUNCIONES MODIFICABLES

Cuando usted recibe el FP410E, la unidad está preparada para operación manual o automática. Unos conmutadores que puede ver si saca el compartimiento para baterías, proporcionan mayor versatilidad. Observe que al principio todos estos conmutadores están en posición hacia arriba; se pueden efectuar cambios moviendo uno o más hacia abajo. Las posiciones de los conmutadores están indicadas por una etiqueta debajo del compartimiento de la batería (vea la Figura 2).

Vúmetro (VU Meter)(Conmutador N° 1). Cambia el vúmetro que viene calibrado para +4 dBm = 0 UV a +8 dBm = 0 UV cuando se mueve este conmutador hacia abajo. (Este Conmutador no afecta la calibración del indicador de nivel de salida LED en la posición PICO.)

Umbral de limitador (Limiter Threshold)(Conmutadores N° 2 y N° 3). Cambian el umbral del limitador, o sea el nivel de salida al cual comienza a actuar el limitador, desde el valor ajustado de fábrica de +16 dBm a uno de estos valores: +8 dBm, +4 dBm o 0 dBm cuando se mueven estos conmutadores como indica la Figura 2.

Off-Atenuación (Off-Attenuation)(Conmutador N° 4). Cambia el valor Off-Atenuación de 13 dB a infinito (∞) moviendo este conmutador hacia abajo. Con el ajuste de 13 dB, un micrófono sin usar está a un nivel 13 dB más bajo que cuando está activado. Con el ajuste ∞, un micrófono sin usar está totalmente apagado.

Tiempo de espera (Hold Time)(Conmutador N° 5). Cambia el tiempo de espera, o sea, la cantidad de tiempo que un micrófono activado (que no está fijo en posición conectada) permanece conectado una vez que el conferenciante deja de hablar, desde 0,4 segundos hasta 1,0 segundos, moviendo este conmutador hacia abajo.

Anulación de la Retención del último micrófono (Last Mic Lock-on Defeat)(Conmutador N° 6). El dispositivo de retención del último micrófono mantiene abierto el micrófono activado más recientemente hasta que un micrófono recién activado toma su lugar. Se puede anular de modo que todos los micrófonos se desconecten automáticamente después del tiempo de espera, moviendo este conmutador hacia abajo.

Potencia fantasma (Phantom Power)(Conmutador N° 7) La potencia fantasma para micrófonos de condensador que normalmente es de 14 V, se puede cambiar a 48 V moviendo este conmutador hacia abajo. **PRECAUCIÓN:** Cerciórese de que los micrófonos de condensador que va a utilizar son compatibles con el voltaje seleccionado. Si los micrófonos pueden funcionar correctamente con 14 V de potencia fantasma, se debe usar esa posición para evitar agotar las baterías.

FUNCIONES INTERNAS MODIFICABLES

ADVERTENCIA

Los voltajes usados en este equipo pueden causar la muerte. El usuario no debe dar servicio a las partes interiores. El servicio a las partes interiores debe ser realizado por personal cualificado.

Además de las funciones modificables por el usuario descritas anteriormente, el FP410E está diseñado de tal manera que un técnico cualificado puede modificar muchas de sus funciones. El Manual de Servicio del FM410 contiene instrucciones sobre estas modificaciones. Son las siguientes:

- Cambiar la sensibilidad de Entrada Monitor.
- Cambiar el nivel Salida Cinta.
- Cambiar el valor Off-Atenuación.
- Cambiar la frecuencia del filtro de bajo-corte.

5. Cambiar las constantes de tiempo de ataque y de extinción del indicador de Pico.
6. Cambiar la calibración 0 del vúmetro a otros niveles que +4 ó +8 dBm.
7. Cambiar el umbral del limitador a valores diferentes de las posiciones permitidas por los conmutadores 2 y 3 (vea la Figura 2).
8. Cambiar para conectar permanentemente uno o más micrófonos.
9. Cambiar para impedir permanentemente que uno o más canales de micrófono se activen.
10. Cambiar los valores de Tiempo de Espera preajustados.
11. Cambiar el jack Entrada Monitor a una función de jack Entrada Aux para mezcladores en cascada o para crear un “mezclamos”.
12. Cambiar para proporcionar alimentación del programa a nivel reducido en los auriculares cuando el conmutador Tirar Para Monitor está activado.

ADVERTENCIA

Si el voltaje de operación se cambia a otro distinto del ajustado en fábrica, no se aplican las certificaciones de seguridad de los modelos FP410E.

INFORMACIÓN ADICIONAL

Limitador

El conmutador del Limitador del panel frontal conecta un circuito limitador de acción rápida, sensible a los picos de corriente, que corta la distorsión por sobrecarga durante los intervalos altos del programa sin afectar a los niveles normales. Cuando el conmutador está en posición Entrada (operación), la salida del FP410E es limitada a +16 dBm aproximadamente. Al incrementar los controles de amplificación individuales o Master, aumentará la salida media y la cantidad de limitación. Es posible cambiar el umbral del limitador a partir del ajuste de fábrica, como se describe en la sección *Funciones modificables*. La luz LED roja del panel frontal contigua al conmutador Limitador indica que el limitador está actuando.

Mezcladores enlazados

El FP410E proporciona cuatro entradas de micrófono. Si hacen falta más entradas, se pueden “enlazar” más unidades FP410E (más de 25 si es necesario), usando cables de conexión del tipo suministrado. Una instalación de este tipo puede proporcionar más de 100 entradas de micrófono. Siempre que los jacks de conexión de todos los mezcladores están conectados (en una secuencia salida a entrada, dejando un jack Entrada y uno Salida desconectados), las funciones automáticas de mezcla serán compartidas por todas las unidades.

Cuando se enlazan mezcladores FP410E, las funciones de control *Shure Intellimix* también están enlazadas de modo que se crea un sistema multimicrófono. Todas las señales de entrada (excepto la señal Entrada Monitor) aparecen en todas las salidas de los mezcladores enlazados. No hay una relación superior/inferior.

Los controles y las funciones relacionados con la salida de cada mezclador enlazado son posteriores al enlace y no afectan a las señales que aparecen en las salidas de otros mezcladores enlazados. Se pueden ajustar de manera diferente los controles de salida de cada mezclador para conseguir resultados diferentes. Estos controles son: control de nivel Master, Oscilador de Tono de 1 kHz, conmutador del indicador Pico/UV, conmutadores de Entrada de Limitador y Umbral de Limitador, control de nivel Fono y Monitor y conmutador Off–Atenuación. AVISO: el valor Off–Atenuación real en la posición de 13 dB del conmutador aumenta cuando se enlazan más mezcladores. Esto reduce el ruido y la reverberación excesivas causadas por el número mayor de micrófonos típicamente “off”.

Los controles y las funciones relacionadas con el canal de entrada de cada mezclador son anteriores al enlace y no afectan a los canales de entrada de otros mezcladores enlazados. El efecto de

estos controles de entrada se refleja en las señales de salida mezcladas de las salidas de todos los mezcladores enlazados. Estos controles son: controles de niveles de canal de entrada y conmutadores de Bajo–Corte, conmutador Manual/Auto, conmutador Fantasma On/Off, conmutador Selector de Voltaje Fantasma, conmutador Tiempo de Espera y conmutador de Retención del Ultimo Micrófono.

Cables de enlace

Si hacen falta más cables de enlace, se pueden comprar (Parte Shure Nº 95A1143; 305 mm o 12 pulgadas) o construir usando las medidas deseadas de cable de buena calidad, de 7 conductores, blindado (clavija 1: blindaje) con miniconectores DIN de 8 clavijas en cada extremo. La longitud máxima de un cable de enlace dependerá de las consideraciones para la puesta a tierra de esta línea no equilibrada.

Aplicación del Modelo FP410E en Consolas de Mezcla

Se puede utilizar el FP410E conectado a grandes consolas de mezcla para retransmisiones de conversaciones con varios interlocutores, discusiones en panel y shows de noticias. Las consolas tienen jacks para insertar los canales de modo que los dispositivos que procesan las señales externas se pueden conectar en las trayectorias de las señales de los canales individuales. Normalmente estos jacks están a nivel de línea.

Se puede hacer llegar la señal al FP410E desde estos jacks de inserción y a su vez, la salida del FP410E se hace llegar a un atenuador subprincipal de la consola. Esta disposición permite al operador el control total de todos los canales mediante la tira de control de entrada de la consola, mientras que el FP410E conserva el número de micrófonos abiertos al mínimo, liberando al operador de la tarea de abrir y cerrar canales de micrófonos.

ACCESORIOS Y PIEZAS DE REPUESTO SUMINISTRADOS

Grupo de bandeja de baterías	90GJ2600
Juego de bloques (patas) (4 por juego)	90S8100
Grupo de panel de control PC	90B8368A
Mando, Master y Fonos	95A8238
Mando, Amplificación de canal	95B8238
Cordón eléctrico (FP410E)	95A8231
Cordón eléctrico (FP410EE)	95A8247
Cable de enlace	95A1143
Soporte de montaje – Estante a la izquierda . . .	53A8252
Soporte de montaje – Estante a la derecha . . .	53A8253

ESPECIFICACIONES

Condiciones de medida (a menos que se especifique otra cosa): Voltaje de la línea, 120 VCA, 60 Hz (FP410EE: 230 VCA, 50/60 Hz); amplificación completa; 1 kHz, un canal activado; terminaciones de salida: Línea 600 Ω, Mic. 150 Ω, Auriculares 200 Ω (manguito de punta y manguito de anillo); Modo automático

Respuesta de frecuencia (controles centrados)

25 Hz a 20 kHz, + 0,5 – 2 dB
(cualquier entrada a cualquier salida)

Amplificación de voltaje

Entrada	Salidas			
	Línea	Mic	Auricular	Cinta
Mic. de baja impedancia (150 Ω)	93 dB	43 dB	97 dB	74 dB
Línea	42 dB	-8 dB	46 dB	23 dB
Monitor	—	—	9 dB	—

Entradas

Entrada	Impedancia		
	Diseñado para uso con	Real (Interna)	Nivel de corte de entrada
Mic	19–600 Ω	900 Ω	–15 dBV
Línea	≤ 10 k Ω	66 k Ω	A >+26 dBV
Monitor	≤ 1 k Ω	25 k Ω	+21 dBV

Salidas

Salida	Impedancia		
	Diseñado para uso con	Real (Interna)	Nivel de corte de salida
Mic	Cualquier entrada de mic. de baja impedancia	0,5 Ω	–31 dBV (28 mV) min.
Cinta	>10 k Ω	1 k Ω	–2 dBV (800 mV)
Auriculares	8 – 200 Ω , 200 Ω recommended	500 Ω	+6 dBV (2,0 V)
Línea	600 Ω	100 Ω	+19 dBm (6,9 V) min.

Distorsión armónica total (controles centrados [5], +4 dBm a la salida de la línea)

$\leq 0,25\%$, 50 Hz a 20 kHz

Zumbido y ruido

Ruido equivalente de entrada –128,5 dB

Zumbido y ruido equivalente de entrada –128,5 dB

Ruido de salida (300 Hz a 20 kHz; controles de canal totalmente hacia la izquierda)

Control principal (master) totalmente hacia la izquierda

..... –82 dBV

Control principal (master) totalmente hacia la derecha

..... –71 dBV

Ruido y zumbido de salida (20 Hz a 20 kHz; controles de canal totalmente hacia la izquierda)

Control principal (master) totalmente hacia la izquierda

..... –74 dBV

Control principal (master) totalmente hacia la derecha

..... –70 dBV

Rechazo en modo común

65 dB mínimo con entrada de –20 dBV a 100 Hz

Polaridad

Las clavijas 2 de las entradas y salidas equilibradas están en fase con las conexiones de punta de las entradas y salidas no equilibradas.

Activación de canal de entrada

Tiempo de ataque 4 mseg.

Tiempo de espera 0,4 seg. (conmutable a 1,0 seg.)

Tiempo de extinción 0,5 seg.

Off-Atenuación

13 dB fijo (conmutable a ∞) (mezclador sencillo; la atenuación aumenta cuando se enlazan mezcladores adicionales)

Protección contra sobrecarga y cortocircuitos

Las salidas en cortocircuito, incluso por períodos prolongados, no causan ningún daño. Las entradas de los micrófonos no son afectadas por las señales de hasta 3 V (hasta 20 V para entradas de Línea y Monitor).

Filtros de Bajo-Corte

Atenuación progresiva de 6 dB/octava por debajo de 170 Hz

Limitador

Umbral +16 dBm (conmutable a +8, +4, 0 dBm)

Tiempo de ataque 3 mseg.

Tiempo de recuperación 350 mseg.

Indicador Se enciende mientras hay efecto de limitación

Indicador

Calibración del vúmetro 0 UV = +4 dBm (conmutable a +8 dBm)

Medidor de picos

Tiempo de subida 2,0 mseg. tiempo constante (paso de 0,9 mseg./LED)

Tiempo de extinción 180 mseg. tiempo constante (paso de 83 mseg/LED)

Oscilador de tono

1 kHz +1%, THD (distorsión total de armónicos) <0,5%

Potencia fantasma

Circuito abierto, 14 VCC, resistencia en serie de 1 k Ω , conmutadores de entrada en posición Mic solamente (conmutable internamente a 48 VCC, resistencia en serie de 4,5 k Ω)

Voltaje de funcionamiento

Funcionamiento con corriente alterna: 100 a 120 VCC nominales, 80 a 132 VCA a nivel totalmente operativo (FP410E); 230 VCA nominales, 160 a 264 VCA a nivel totalmente operativo (FP410EE), 50/60 Hz, 8 W.

Funcionamiento con corriente continua: 18 VCC nominales a 25 mA típicos sin señal, 33 mA típicos a 0 UV (+4 dBm) de salida con carga de 600 Ω ; 6 VCC mínimo; duración de la batería, aproximadamente 12 horas con baterías alcalinas con salida de +4 dBm en uso continuo a temperatura ambiente; dos baterías de 9 voltios (tipo NEDA 1604A)

Intervalo de temperatura

Funcionamiento –18° a 57° C (0° a 135° F)

Almacenaje –29° a 71° C (–20° a 160° F)

Dimensiones globales

44,5 mm H x 368 mm A x 210 mm P (1 3/4 x 14 1/2 x 8 1/2 pulgadas) (sin incluir las patas)

Peso neto

2,27 kg (5 lb)

Certificación

Aprobado por VDE y cumple con los requisitos de seguridad del código DIN VDE 0860.05.89 de acuerdo con CENELEC HD 195 S6.

Declaración de conformidad

Este documento certifica que el mezclador automático para micrófonos, modelo FP410E, cumple con las especificaciones y reglamentos indicados en vfg 243/1992. Zentralamt für Zulassungen im Fernmeldewesen ha sido notificada de que este dispositivo se ha comercializado y se le ha otorgado el derecho de verificar el dispositivo o sistema para comprobar su cumplimiento con las especificaciones.

Italiano

Il modello Shure FP410E corrisponde ad un miscelatore per microfoni automatico creato per l'utilizzo in una vasta varietà di applicazioni per la rilevazione di discorsi a più microfoni. Shure Intellimix è un incredibile nuovo concetto operativo del FP410E. Fornisce un missaggio automatico scorsivo combinando tre funzioni uniche:

- *Soglia sonora adattata al rumore*
- *Canale massimo, e*
- *Attivazione dell'ultimo microfono*

La soglia sonora adattata al suono distingue tra costanti di rumore di sfondo (come il condizionatore d'aria) e suoni in rapido movimento (come un discorso); tale funzione modifica continuamente la soglia sonora di attivazione in modo che solo i livelli di discorso più forti di quello di sfondo attivino un canale FP410E.

Il canale massimo elimina la qualità audio scarsa che risulta quando un interlocutore viene rilevato da più di un microfono; ciò avviene controllando il numero di microfoni da attivare per una singola fonte sonora. Con il canale massimo un interlocutore attiva solo un canale FP410E, anche se diversi microfoni lo ricevono.

L'attivazione dell'ultimo microfono mantiene un missaggio audio ininterrotto tenendo aperto l'ultimo microfono attivato fin quando questo non venga sostituito da un altro. Senza tale funzione una lunga pausa durante la conversazione permette lo spegnimento di tutti i microfoni e dà l'impressione che il segnale audio sia perso. Tale funzione assicura che l'ambiente di sfondo sia sempre presente.

Situazioni con più microfoni, ovvero con un certo numero di interlocutori, hanno sempre presentato dei problemi per il tecnico audio; se vengono utilizzati pochi microfoni, varia la copertura per ogni interlocutore, con uno di essi (il più vicino al microfono) risultante più forte e chiaro degli altri. Gli interlocutori più lontani dai microfoni si sentiranno come echi e riverberanti, poiché una minima parte del suono diretto dalle loro bocche raggiunge i microfoni. Se al contrario vengono utilizzati troppi microfoni, esiste allora più rumore di sfondo e rilevazione di riverbero, così come meno guadagno prima della rialimentazione nel caso di utilizzo di un sistema di rinforzo (PA).

Il risultato è come avere video camere multiple tutte focalizzate sullo stesso soggetto; se il segnale di tali camere è combinato, ne risulta un'immagine sfumata. Quando vengono aperti microfoni multipli per un singolo interlocutore, il risultato è un segnale audio tenue. Sovente però non è pratico dover attivare i microfoni quando necessario e disattivarli in caso contrario; la risposta è un miscelatore per microfoni automatico FP410E.

FP410E attenua (abbassa) automaticamente qualsiasi microfono non utilizzato, riducendo di molto l'eccesso di riverbero ed i problemi di sfondo associati all'utilizzo di più microfoni convenzionali e di tecniche di missaggio. Quando un nuovo interlocutore comincia a parlare, FP410E seleziona immediatamente ed attiva silenziosamente il microfono più opportuno. L'elaborazione del segnale elettronico Shure Intellimix permette al FP410E di fornire una rilevazione naturale e chiara della voce; FP410E riduce di molto il problema del suono "bombato", del livello di suono insufficiente (a causa dello sfondo o di "fruscii") e degli errori di funzionamento. Infatti, questi ultimi vengono completamente eliminati poiché FP410E non ha bisogno di operatore o di tecnico per regolazioni continue; una volta installato, è completamente autosufficiente.

FP410E possiede diverse applicazioni in produzioni video e registrazioni audio, trasmissioni e rinforzi sonori. Nell'applicazione di qualsiasi rilevazione di discorso dove vengono richiesti diversi microfoni, FP410E migliora di molto la qualità audio. Il passaggio da un'operazione manuale ad una automatica permette alla voce di un interlocutore singolo di alzarsi al di sopra del rumore di sfondo e del riverbero per diventare più chiara e più intelligibile.

Ogni FP410E può operare un totale di 4 microfoni o segnali a livello di linea. Può venire usato qualsiasi microfono di alta qualità, a bassa impedenza e bilanciato utilizzando un trasduttore dinamico

o condensato* (incluso i tipi senza filo e a cannone). Inoltre, è possibile interconnettere miscelatori FP410E addizionali usando le prese di sinistra sul pannello posteriore; è disponibile un completo funzionamento manuale utilizzando un interruttore di selezione sul pannello anteriore.

FP410E viene fornito con paraurti opzionali (supporti) per l'utilizzo su superfici orizzontali, un cavo corto per collegare due miscelatori FP410E ed il materiale per montaggio a cremagliera su un'attrezzatura audio standard di 483 mm. (19 pollici).

Il modello FP410E viene fornito per il funzionamento a 230 Vac (fusibile in linea 0,05 A) ed il relativo cavo di alimentazione è terminato da una spina ca Schuko.

*Autoalimentato oppure funzionante a potenza combinata a 14 o 48 Vdc.

Caratteristiche

- *Selezione del microfono affidabile, veloce e senza rumori – si adatta automaticamente alle modifiche dei rumori di sfondo nella stanza*
- *Il guadagno del canale sul pannello anteriore ed i controlli centrali operano come in un miscelatore convenzionale*
- *Il tempo di tenuta selezionabile tiene i microfoni accesi durante pause brevi nel discorso*
- *Controllo di fuori-attenuazione selezionabile per funzionamento ininterrotto*
- *Modifica automatica del guadagno attivando microfoni addizionali*
- *Il circuito di attivazione dell'ultimo microfono annullabile mantiene almeno un microfono acceso sempre, tiene l'ambiente acustico e previene la confusione con modifiche dei suoni di sfondo*
- *Ampia, piatta risposta di frequenza e bassa distorsione fino a +18 dBm in uscita*
- *Capacità di collegamento per sistemi contenenti oltre 25 miscelatori ed oltre 100 microfoni*
- *Indicazione LED di livelli miscelati di canale per microfono, livello di uscita ed azione limitante*
- *La funzione del muto automatico previene vibrazioni e danni agli altoparlanti quando l'unità viene attivata e disattivata*
- *Entrate ed uscite bilanciate a trasformatore intercambiabili a livello di linea o microfono*
- *Entrata monitor separata e prese di uscita nastro (livello ausiliare)*
- *Prese monitor cuffia sul pannello anteriore con controllo di livello*
- *Interruttore auto-disattivante sul pannello anteriore per funzionamento manuale*
- *Funziona ad un voltaggio a rete di distribuzione ac oppure a due batterie a 9 V*
- *Potenza combinata intercambiabile a 14 e 48 V per microfoni condensatori*
- *Conforme alle norme VDE per la sicurezza DIN VDE 0860/05.89, regolato con CENELEC HD 195 S6.*

CONTROLLI, CONNETTORI, INDICATORI (Vedere figura 1)

1. Controlli 1–4 del guadagno del canale del microfono: su posizione "0" il canale del microfono non è funzionante; girando il controllo in senso orario si attiva il canale del microfono e si permette la regolazione del livello di quest'ultimo.
2. Lampadina verde normale LED di entrata: dovrebbe oscillare a livelli di discorso normale.
3. Lampadina rossa di massima LED di entrata: dovrebbe vibrare solo quando il discorso raggiunge punte massime.

4. Interruttori guida Piatto (—) e Basso frazionamento (↷): fornisce un'attenuazione a bassa frequenza per ridurre segnali a bassa frequenza non desiderati come nel caso di vento.
5. Controllo ruotabile **CENTRALE (MASTER)**: determina il livello dei segnali di entrata combinati alle uscite a Microfono/Linea, Nastro e Cuffie. La posizione Tirare per tono a 1 kHz attiva un oscillatore di tono ad 1 kHz (il livello del tono è determinato dalla messa a punto del controllo centrale). Il segnale oscillatore appare a tutte le uscite. Quando l'oscillatore non viene utilizzato, il bottone dovrebbe essere spinto in dentro.
6. Misuratore del livello di uscita **MASSIMA/VU (PEAK/VU)**: la funzione del misuratore viene selezionata dall'interruttore guida adiacente PEAK/VU. Nella posizione Massima (PEAK), il misuratore indica segnali di punte massime. In posizione VU, indica segnali di livello medio, simulando un misuratore VU.
7. Interruttore guida momentaneo **TEST BATTERIE (BATTERY TEST)**: funziona insieme al misuratore PEAK/VU per indicare le condizioni della batteria. Con l'interruttore di Potenza acceso e l'interruttore su posizione momentanea attiva, una nuova serie di batterie accende tutte le lampadine verdi LED; un determinato numero di lampadine verdi LED accese indica approssimativamente lo stato delle batterie nel caso di utilizzo di batterie alcaline. **NOTARE:** la lampadina POWER LED comincia a lampeggiare quando il voltaggio totale della batteria scende a 10 Vdc (ovvero, una sola lampadina verde LED accesa).
8. Interruttore guida **MANUALE/AUTO (MANUAL/AUTO)**: seleziona il funzionamento manuale o automatico del microfono. Nella posizione Manuale, l'unità funziona come un miscelatore per microfono convenzionale. In posizione Auto, i microfoni non utilizzati vengono automaticamente disattivati.
9. Interruttore guida **ENTRATA LIMITORE (LIMITER IN)**: attiva il circuito limitatore veloce, rispondente alle punte massime per eliminare la distorsione dovuta a sovraccarico durante intervalli di programma ad alto volume senza incidere sui livelli normali del programma. La lampadina rossa LED indica il limite.
10. Prese da telefono a 1/4 di pollice e 3,5 mm. **CUFFIE (PHONES)**: permettono il controllo dell'uscita del miscelatore attraverso la maggior parte di cuffie stereo oppure mono. L'interruttore Tirare per Monitor applica il segnale dalla presa da telefono di 3,5 mm. sul pannello posteriore Entrata Monitor all'amplificatore cuffie. Quando l'interruttore è attivato, il segnale di uscita miscelatore non appare nell'uscita cuffia. Il controllo ruotabile Cuffie determina il livello cuffia in entrambi i casi.
11. Interruttore guida **POTENZA (POWER)**: applica potenza ac o a batteria al circuito del miscelatore. La lampadina verde LED adiacente indica la presenza di potenza e, in caso di funzionamento a batteria, lampeggia quando il voltaggio complessivo scende a 10 Vdc.
12. Connettore di potenza a tre morsetti **230 VAC, 50/60 Hz 8W**: per il collegamento ad uscite di potenza da 230 Vac, 50/60 Hz.
13. Connettori XLR maschio a tre morsetti **USCITA (OUTPUT)**: per il collegamento ad uno o due amplificatori, registratori oppure altri miscelatori. I livelli dei segnali di uscita sono singolarmente intercambiabili a livello di linea oppure di microfono a bassa impedenza tramite interruttori guida Microfono/Linea individuali adiacenti. Entrambe le prese forniscono le stesse informazioni circa il segnale, ma sono elettricamente isolate.
14. Presa da telefono a 3,5 mm. **USCITA NASTRO (TAPE OUT)**: fornisce un segnale di uscita per alimentare entrate sbilanciate a livello ausiliare della maggior parte dei registratori nastro ed amplificatori.
15. Prese DIN in miniatura ad 8 morsetti **COLLEGAMENTO ENTRATA/USCITA (LINK IN/OUT)**: utilizzando cavi di collegamento, tali prese permettono di accatastare un numero illimitato di miscelatori FP410E per raggiungere una capacità di entrata addizionale. Le prese portano segnali audio ed informazioni relative al canale massimo e l'attivazione dell'ultimo microfono.
16. Presa da telefono a 3,5 mm. **ENTRATA MONITOR (MON IN)**: manda una fonte ausiliare esterna o a livello di linea all'amplificatore cuffie senza interrompere altre funzioni del miscelatore. La presa viene attivata tirando in fuori il bottone Tirare per Monitor sul pannello anteriore.
17. Interruttore guida **INTERRUTTORE DI POTENZA COMBINATA ATTIVATA/DISATTIVATA (PHANTOM ON/OFF)**: controlla l'applicazione di potenza combinata a 14 Vdc per microfoni condensatori a tutte le uscite. Quando l'interruttore è attivato e gli interruttori di Entrata Microfono/Linea sono sulla posizione MIC, sono applicati +14 Vdc ai morsetti 2 e 3 di ogni connettore XLR di entrata. **NOTARE:** La potenza combinata può essere stabilita internamente su 48 Vdc (Fare riferimento alla sezione Funzioni modificabili). Utilizzando dei microfoni diversi da quelli condensatori Shure, verificare che i requisiti riguardanti il voltaggio e la resistenza della fonte siano compatibili (Fare riferimento a *Specificazioni*).
18. Connettori XLR femmina a 3 morsetti **ENTRATA (INPUT) 1-4**: permettono il collegamento a microfoni bilanciati a bassa impedenza oppure a fonti a livello di linea. Gli interruttori guida Microfono/Linea adiacenti regolano le entrate ai livelli della fonte.
19. Scompartimento batteria: contiene due batterie a 9 volt per funzionamento a distanza oppure per salvaguardia automatica nel caso di mancanza di corrente.

AVVERTENZA

Questo prodotto non è completamente scollegato dalla fonte di alimentazione quando l'interruttore viene messo in posizione OFF.

MESSA IN OPERA E FUNZIONAMENTO

Messa in opera del miscelatore

Installare FP410E come segue. Se l'unità deve essere posta su una superficie orizzontale, appoggiare i quattro paraurti agli angoli del fondo telaio per evitare di toccare la superficie.

Se FP410E deve essere montato su cremagliera su un'attrezzatura audio standard di 483 mm. (19 pollici), rimuovere le due viti portanti Phillips da ogni lato del pannello del FP410E, porre le griffe della cremagliera in posizione ai lati (con i buchi di montatura sul davanti) ed assicurare le griffe con le viti rimosse in precedenza. **NOTARE:** le griffe della cremagliera sono asimmetriche; quelle più larghe dovrebbero essere alla Vostra destra (guardando al pannello anteriore) per permettere l'accesso allo scompartimento batterie mentre FP410E è nella cremagliera audio. Installare FP410E sulla cremagliera ed assicurarlo con le quattro viti apposite fornite.

Effettuare i collegamenti elettrici come segue.

1. Per il funzionamento a batteria, tirare i lacci di sgancio del cassetto batterie con il pollice e l'indice e tirare il cassetto dallo scompartimento. Fare attenzione ai segni di polarità delle batterie, inserire due batterie nuove a 9 volt nelle fessure. Con l'interruttore di potenza attivato, spostare l'interruttore di prova delle batterie sulla destra per determinarne le condizioni. **IMPORTANTE:** il funzionamento a batteria viene ridotto quando i microfoni vengono alimentati a potenza combinata, specialmente a 48 Vdc. Per il funzionamento ac, collegare il conduttore di potenza ad una fonte da 230 Vac, 50/60 Hz.
2. Collegare i microfoni e/o le fonti dei segnali a livello di linea ai connettori di entrata microfono (utilizzare cavi schermati conduttori 2 convenzionali). Regolare gli interruttori Microfono/Linea come richiesto per l'entrata del livello segnale.
3. Se vengono utilizzati microfoni condensatori alimentati a potenza combinata, attivare l'interruttore di potenza combinata del FP410E. **NOTARE:** con microfoni condensatori diversi da quelli Shure, verificare che i requisiti circa il voltaggio e la resistenza della fonte siano compatibili.
4. Collegare una oppure entrambe le uscite FP410E ai seguenti miscelatori, amplificatori o registratori. Assicurarsi che ogni interruttore Microfono/Linea di uscita sia nella giusta posizione per i livelli di uscita desiderati.
5. Se è necessaria una uscita sbilanciata a livello ausiliare, collegarla alla presa di uscita nastro.

6. Se devono essere collegati FP410E addizionali per aumentare il numero di entrate microfono, collegarli tramite le prese di collegamento di entrata ed uscita. Collegare il collegamento uscita del primo miscelatore al collegamento entrata del miscelatore successivo e così via. Lasciare la presa di collegamento entrata del primo miscelatore e collegamento uscita dell'ultimo scollegate. NOTARE: le prese sono solo di collegamento, non per entrate oppure uscite audio.
7. Se è necessario il controllo cuffia dei segnali miscelati FP410E, collegare le cuffie stereo oppure mono ad una delle prese da cuffie del pannello anteriore (1/4 di pollice o 3,5 mm.). Regolare il pulsante di controllo del telefono al volume desiderato (dopo aver regolato il canale del microfono ed il guadagno centrale secondo la sezione Messa a punto).
8. Per controllare una fonte di segnale esterno, collegarlo alla presa monitor di entrata sul pannello posteriore e spingere in fuori il pulsante di controllo telefono. Regolare il controllo telefono e/o controllo del livello del segnale esterno al volume desiderato.

Funzionamento

1. Attivare l'interruttore di potenza e porre l'interruttore Manuale/Audio su posizione Manuale. NOTARE: Questo prodotto non viene disattivato completamente dall'alimentazione della rete di distribuzione quando l'interruttore di potenza è spento.
2. Porre il misuratore Massima/VU su Massima o VU come desiderato.
3. L'oscillatore di tono interno ad 1 kHz può essere utilizzato per regolare i seguenti livelli di attrezzatura (miscelatore centrale, amplificatore, registratore ecc.) al livello di uscita del FP410E; l'oscillatore di tono viene attivato spingendo in fuori il controllo guadagno centrale. Il suo livello all'uscita FP410E viene stabilito da tale controllo. Dopo aver stabilito i livelli di attrezzatura, disattivare l'oscillatore di tono spingendo in dentro il controllo guadagno centrale.
4. Utilizzare il microfono collegato all'entrata del canale 1 del FP410E ed alzare lentamente il controllo guadagno del canale 1 fino al punto in cui la lampadina verde LED oscilla regolarmente ad un discorso normale e quella rossa LED oscilla occasionalmente con punte massime.
5. Regolare gli altri guadagni del canale FP410E allo stesso modo.
6. Regolare gli interruttori adiacenti Piatto (—) e Basso Frazionamento (⤴) ad ogni controllo del guadagno come richiesto. La posizione bassa riduce la rilevazione di rumori a bassa frequenza.
7. Porre l'interruttore Manuale/Audio su posizione Audio. In circa un secondo, le entrate microfono non utilizzate vengono disattivate ed il volume della voce dell'interlocutore si alza oltre i rumori di sfondo ed il riverbero e diventa più chiara ed intelligibile.
8. Regolare il controllo guadagno centrale FP410E al livello di uscita desiderato, come indicato dal misuratore Massima/VU oppure dalle seguenti attrezzature.
9. A questo punto FP410E è pronto per il funzionamento.

FUNZIONI MODIFICABILI

FP410E è adatto per il funzionamento automatico o manuale; viene fornita una versatilità addizionale grazie ad interruttori facilmente accessibili visibili rimuovendo lo scompartimento batterie. Notare che gli interruttori vengono tutti forniti in posizione verso l'alto; le modifiche avvengono spostando l'interruttore/i verso il basso e le posizioni vengono illustrate da un disegno sotto lo scompartimento batterie (Fare riferimento alla figura 2).

MISURATORE VU (VU METER) (Interruttore No.1) Modificare il misuratore VU, fornito calibrato per +4 dBm = 0 VU, a +8 dBm = 0 VU spostando l'interruttore verso il basso (tale interruttore non incide sulla calibratura del misuratore del livello di uscita LED nella posizione Peak).

LIMITATORE SOGLIA SONORA (LIMITER THRESHOLD) (Interruttori No. 2,3). Modificare la soglia sonora limitante al cui livello comincia l'azione limitante dalla misura di fabbrica +16 dBm al livello

di uscita +8 dBm, +4 dBm oppure 0 dBm, spostando gli interruttori come nella figura 2.

FUORI-ATTENUAZIONE (OFF-ATTENUATION) (Interruttore No.4). Modificare tale funzione da 13 dB ad infinito spostando l'interruttore verso il basso. Su 13 dB un microfono non utilizzato risulta essere ad un livello minore di 13 dB rispetto a quando viene usato. Con la posizione su infinito un microfono non utilizzato è completamente disattivato.

TEMPO DI TENUTA (HOLD TIME) (Interruttore No.5) Modificare il tempo di tenuta, ovvero il tempo in cui un microfono attivato (e non bloccato) rimane acceso dopo che l'interlocutore ha terminato di parlare, da 0,4 secondi a 1,0 spostando l'interruttore in basso.

ANNULLAMENTO ATTIVAZIONE DELL'ULTIMO MICROFONO (LAST MIC LOCK-ON DEFEAT) (Interruttore No.6) Tale caratteristica mantiene acceso l'interruttore attivato più di recente fin quando un'altro non lo sostituisce. Può essere annullato in modo che tutti i microfoni siano disattivati automaticamente dopo il tempo di tenuta spostando l'interruttore verso il basso.

POTENZA COMBINATA (PHANTOM POWER) (Interruttore No.7) Per microfoni condensatori, normalmente a 14 V, tale potenza combinata può essere portata a 48 B spostando l'interruttore verso il basso. **ATTENZIONE:** Assicurarsi che i microfoni condensatori da utilizzare siano compatibili con il voltaggio selezionato. Se i microfoni possono operare adeguatamente con una potenza combinata di 14 V, tale posizione dovrebbe essere utilizzata per evitare un abbassamento eccessivo delle batterie.

FUNZIONI MODIFICABILI INTERNE

ATTENZIONE

I voltaggi della presente attrezzatura sono mortali; non ci sono parti utilizzabili dall'utente. Rivolgersi quindi a personale di servizio qualificato.

Oltre alle funzioni modificabili dall'utente di cui sopra, FP410E è creato in modo che un tecnico qualificato possa modificare molte delle sue funzioni. Le istruzioni su come effettuare tali modifiche vengono fornite nel Manuale di Servizio FP410E ottenibile dalla Shure. Tali modifiche sono:

1. Modifica alla sensibilità dell'entrata monitor.
2. Modifica al livello di uscita nastro.
3. Modifica al valore di fuori-attenuazione.
4. Modifica alla frequenza del filtro di basso frazionamento.
5. Modifica alle costanti dell'attacco del misuratore punte massime e tempo di caduta.
6. Modifica alla calibratura del misuratore 0 VU a livelli diversi da +4 o +8 dBm.
7. Modifica alla soglia sonora limitante oltre le posizioni permesse dagli interruttori 2 e 3 (Vedere figura 2).
8. Modifica per bloccare permanentemente uno o più microfoni attivi.
9. Modifica per prevenire permanentemente uno o più canali microfono dall'attivazione.
10. Modifica ai valori del tempo di tenuta prestabilito.
11. Modifica alla presa di entrata monitor in una presa di entrata ausiliare per collegare in serie miscelatori oppure creare un "misaggio minimo".
12. Modifica per fornire l'alimentazione del programma a livello ridotto in cuffie quando l'interruttore Tirare per monitor è attivato.

ATTENZIONE

I certificati di sicurezza di FP410E non valgono se il voltaggio di funzionamento viene modificato rispetto a quello di fabbrica.

INFORMAZIONI ADDIZIONALI

Limitatore

L'interruttore limitatore sul pannello anteriore attiva un circuito limitante veloce, che risponde all'ampiezza massima ed elimina la distorsione dovuta a sovraccarico durante intervalli di programma ad alto volume senza incidere sui livelli normali del programma. Quando l'interruttore è operante (su posizione In), l'uscita del FP410E è limitata a circa +16 dBm. Aumentando i controlli guadagno centrale o individuali viene aumentata l'uscita media e la quantità limitante.

La soglia sonora limitante può essere modificata rispetto a quella di fabbrica come descritto nella sezione Funzioni modificabili. La lampadina rossa LED adiacente l'interruttore limitatore indica tale azione.

Miscelatori collegati

FP410E fornisce quattro entrate microfono; se ne occorrono di più, più FP410E (se necessario fino a 25) possono essere collegati utilizzando i cavi di collegamento del tipo fornito. Fin quando le prese di collegamento di tutti i miscelatori sono collegate (uscita-entrata, in modo sequenziale, lasciando una presa di collegamento entrata ed una di collegamento uscita non collegate), le funzioni automatiche di missaggio vengono utilizzate da tutte le unità.

Quando i miscelatori FP410E vengono collegati, sono collegate ugualmente le funzioni di controllo *Shure Intellimix* in modo da creare un sistema singolo a più microfoni. Tutti i segnali di entrata (eccetto entrata monitor) appaiono a tutte le uscite miscelatore collegate. Non esiste alcuna relazione centrale/secondario.

I controlli relativi all'uscita e le funzioni di ogni miscelatore collegato sono post-collegamento e non incidono sui segnali che appaiono sulle uscite degli altri miscelatori collegati. I controlli di ogni uscita del miscelatore sono stabiliti in maniera diversa in modo da ottenere risultati diversi. Tali controlli sono: Controllo del livello centrale, Oscillatore di tono ad 1 kHz, Interruttore del Misuratore Massima/VU, Interruttori del Limitatore di entrata e della Soglia sonora, Controlli Cuffie e Monitor ed Interruttore di fuori-attenuazione. **NOTARE:** la funzione di Fuori-Attenuazione effettiva in posizione interruttore di 13dB aumenta quanto più miscelatori vengono collegati. Questo riduce il rumore eccessivo ed il riverbero dati dal numero maggiore di microfoni normalmente disattivati. I controlli relativi all'entrata e le funzioni di ogni miscelatore collegato sono pre-collegamento e non incidono sui canali di entrata degli altri miscelatori collegati. L'effetto di tali controlli di entrata si riflette nei segnali di uscita combinati di tutte le uscite degli altri miscelatori collegati. Tali controlli sono: Controlli dei livelli del canale di entrata ed Interruttori di Basso Frazionamento, Interruttore Manuale/Audio, Interruttore di potenza combinata attivata/disattivata, Interruttore di selezione del voltaggio combinato, Interruttore del tempo di tenuta ed Interruttore di attivazione dell'ultimo microfono.

Cavi di collegamento

Possono essere acquistati cavi di collegamento addizionali (Shure No. 95A1143; 305 mm.-12 pollici) oppure costruiti utilizzando un cavo schermato di alta qualità, a 7 cavi (morsetto 1: schermo) con connettori mini DIN ad 8 morsetti ad ogni estremità. La lunghezza massima di un cavo di collegamento dipende dalle considerazioni circa la terra della linea sbilanciata in questione.

FP410E Ed I Quadri di Comando di Missaggio

FP410E può essere utilizzato insieme a grandi quadri di comando di missaggio per fornire un missaggio automatico di programmi, discussioni e notiziari serali. Tali quadri di comando hanno prese di inserimento canale in modo che i dispositivi di elaborazione del segnale esterno possano essere collegati ad i vari percorsi dei segnali dei canali individuali. Tali prese sono normalmente a livello di linea.

FP410E può essere alimentato dalle prese di inserimento, mentre l'uscita FP410E a sua volta alimenta un riduttore secondario sul quadro. Questa struttura permette all'operatore un controllo completo di ogni canale tramite il nastro di controllo entrata del quadro, mentre FP410E mantiene il numero di microfoni aperti al minimo, evitando all'operatore di dover aprire e chiudere i canali microfono.

ACCESSORI FORNITI E PARTI DI RICAMBIO

Assemblaggio scompartimento batterie 90GJ2600
Cassetta paraurti (4) 90S8100
Assemblaggio tavola PC di controllo 90B8368A
Pulsante, Centrale e Cuffie 94A8238
Pulsante, Guadagno canale 95B8238

Conduttore di linea (potenza) (FP410E) 95A8231
Conduttore di linea (potenza) (FP410EE) 95A8247
Cavo di collegamento 95A1143
Supporto sinistro di montaggio cremagliera 53A8252
Supporto destra di montaggio cremagliera 53A8253

SPECIFICAZIONI

Condizioni di misurazione (se non diversamente specificate):
voltage linea di 120 Vac, 60 Hz (FP410EE: 230 Vac, 50/60 Hz); pieno guadagno; 1 kHz, un canale attivato; terminazione uscita: linea a 600 Ohms, Microfono a 150 Ohms, Nastro a 50 kOhms, Cuffie a 200 Ohms (cilindro a punta e cilindro ad anello); modo Auto

Risposta di frequenza (controlli centrati)

da 25 Hz a 20 kHz, +0,5 -2 dB (da qualsiasi entrata a qualsiasi uscita)

Guadagno voltaggio

Entrata	Uscita			
	Linea	Microfono	Cuffia	Nastro
Microfono a bassa impedenza (150 Ohms)	93 dB	43 dB	97 dB	74 dB
Linea	42 dB	-8 dB	46 dB	23 dB
Monitor	—	—	9 dB	—

Entrate

Entrata	Impedenza		
	Utilizzato con	Effettivo (Interno)	Livello impulso entrata
Microfono	16-600 Ohms	900 Ohms	-15 dBV
Linea	10 kOhms	66 kOhms	a >+26 dBV
Monitor	1 kOhms	25 kOhms	+21 dBV

Uscite

Uscita	Impedenza		
	Utilizzato con	Effettivo (Interno)	Livello impulso uscita
Microfono	Qualsiasi entrata mic a bassa impedenza	0,5 Ohms	-31 dBV (28 mV) minimo
Nastro	>10 kOhms	1 kOhm	-2 dBV (800 mV)
Cuffie	8-200 Ohms, raccomandati 200 Ohms	500 Ohms	+6 dBV (2,0 V)
Linea	600 Ohms	100 Ohms	+19 dBm (6,9 V) minimo

Distorsione armonica totale (controlli centrati [5], +4 dBm all'uscita linea)

≤0,25%, da 50 a 20 kHz

Ronzio e rumore

Rumore di entrata equivalente	-128,5 dBV
Ronzio e rumore di entrata equivalente	-128,5 dBV
Rumore di uscita (da 300 Hz a 20 kHz; controlli canali in senso antiorario)		
Senso antiorario centrale	-82 dBV
Senso orario centrale	-71 dBV
Ronzio e rumore di uscita (da 20 Hz a 20 kHz; controlli canale in senso antiorario)		
Senso antiorario centrale	-74 dBV
Senso orario centrale	-70 dBV

Scarto del modo comune

65 dB minimo con entrata di -20 dBV a 100 Hz

Polarità

Morsetto 2 di entrate ed uscite sbilanciate che sono in fase con collegamento a punta di entrate ed uscite sbilanciate

Attivazione del canale di entrata

Tempo di allacciamento	4 msec
Tempo di tenuta	0,4 sec (modificabile a 1,0 sec)
Tempo di caduta	0,5 sec

Fuori-attenuazione

13 dB, fissa (modificabile a infinito) (miscelatore singolo; l'attenuazione aumenta con il collegamento di più miscelatori)

Protezione da sovraccarico e riduzione

Uscite di riduzione, anche per periodi prolungati, non causano danno; entrate di microfono non sono danneggiate da segnali fino a 3 V; le entrate linea e monitor non sono danneggiate da segnali fino a 20 V

Filtri di Basso Frazionamento

Attenuazione di 6 dB/ottava al di sotto di 170 Hz

Limitatore

Soglia sonora	...	+16 dBm (modificabile a +8, +4, 0 dBm)
Tempo di allacciamento	3 sec
Tempo di recupero	350 msec
Indicatore	..	Si accende quando si verifica una limitazione

Misuratore

Calibratura del misuratore VU 0 VU = +4 dBm
(modificabile a +8 dBm)

Misuratore punte massime:

Tempo di alzata costante tempo di 2,0 msec
(fase di 0,9 msec/LED)

Tempo di caduta costante tempo di 180 msec
(fase di 83 msec/LED)

Oscillatore di tono

1 kHz, +/- 10%, THD <0,5%

Potenza combinata

Circuito aperto a 14 Vdc, resistenza di serie a 1kOhms, interruttori di entrata solo in posizione microfono (modificabili internamente a 48 Vdc, resistenza di serie a 4,5 kOhms)

Voltaggio di funzionamento

Funzionamento AC: stimato da 100 a 120 Vac nominale, completamente funzionante da 80 a 132 Vac (FP410E); stimato 230 Vac nominale, completamente funzionante da 160 a 264 Vac (FP410EE), 50/60 Hz, 8 W

Funzionamento DC: 18 Vdc nominale a 25 mA, tipico senza segnale, 33 mA, tipico a uscita 0 VU (+4 dBm) con un carico di 600 Ohms; minimo di 6 Vdc; durata batterie di circa 12 ore con batterie alcaline ad uscita +4 dBm in utilizzo continuo a temperatura ambiente; due batterie a 9 volt (tipo NEDA 1604A)

Gamma temperatura

Funzionamento da -18 a 57 gradi C (0 a 135 F)
Immagazzinaggio da -29 a 71 gradi C (-20 a 160 F)

Dimensioni generali

44,5 mm. di altezza x 368 mm. di larghezza x 210 mm. di profondità (1 3/4 x 14 1/2 x 8 1/4 pollici) senza includere i supporti

Peso netto

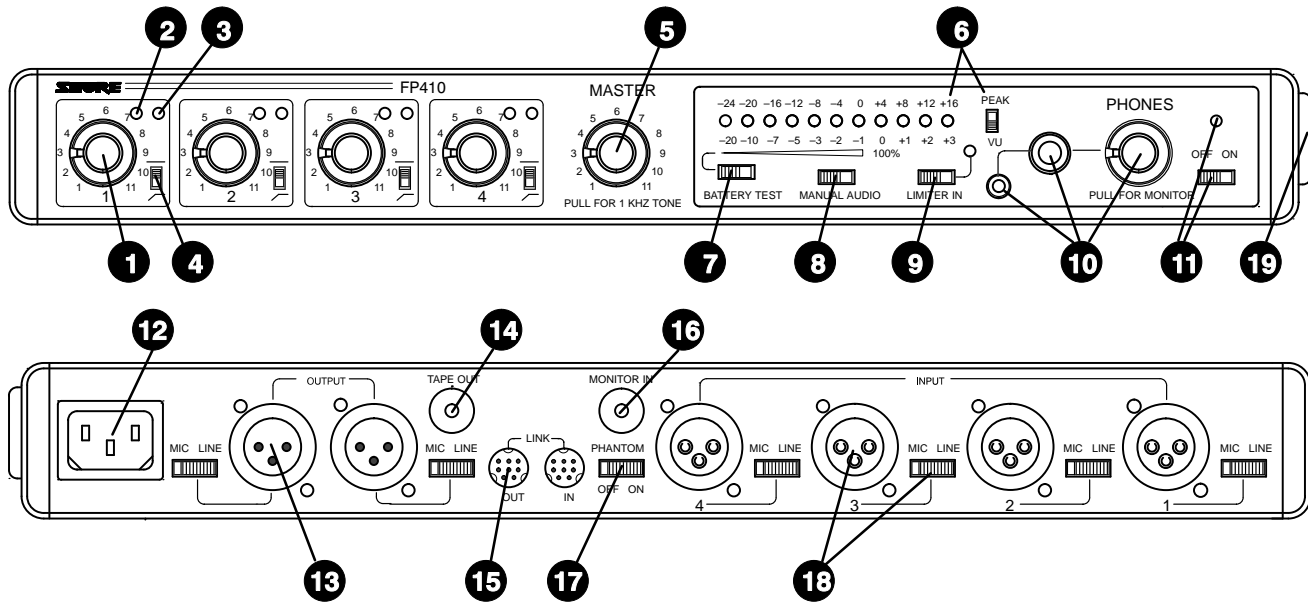
2,27 Kg. (5 libbre)

Certificazione

Conforme alle norme VDE per la sicurezza DIN VDE 0860/05.89, regolato con CENELEC HD 195 S6.

Dichiarazione di conformità

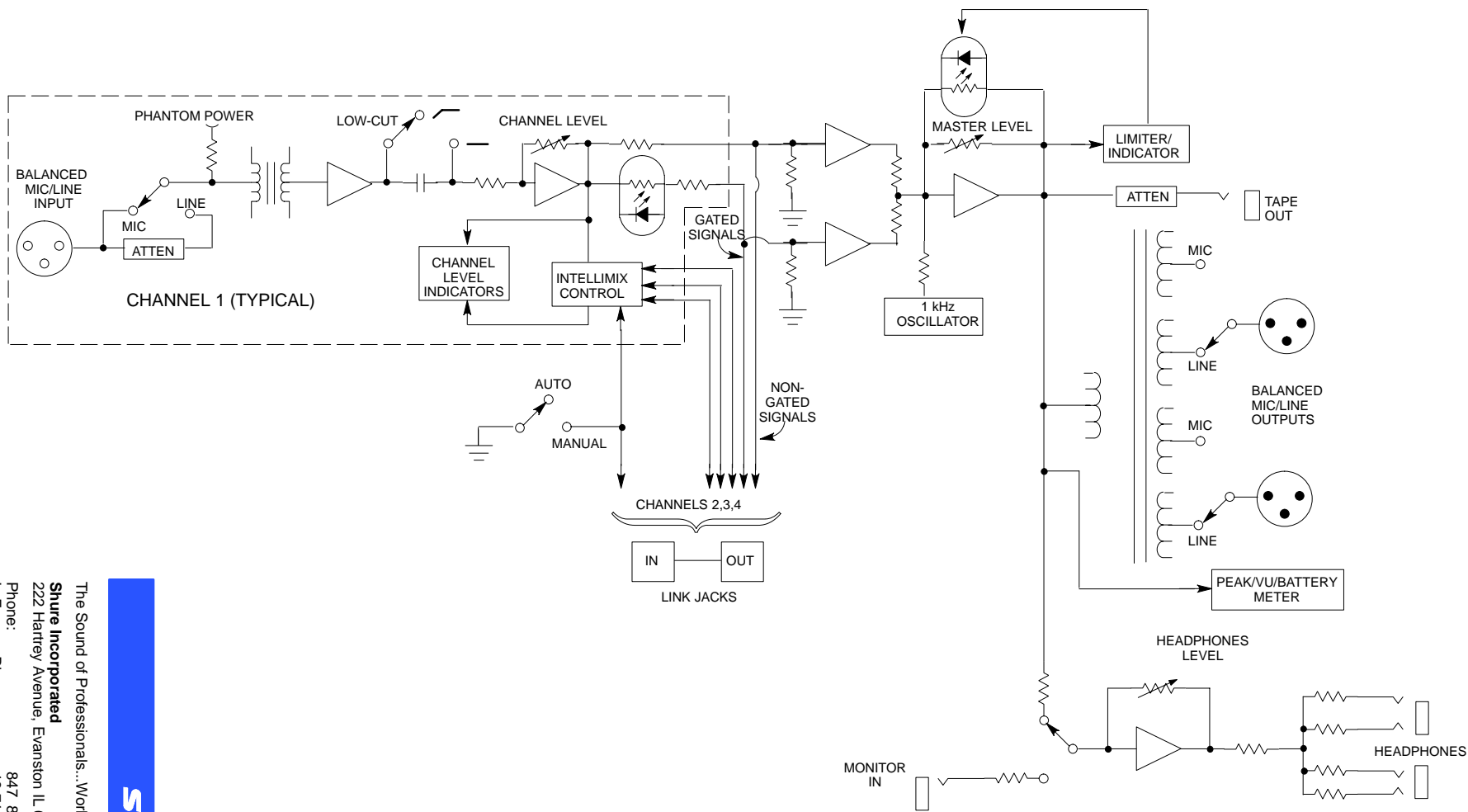
Questo documento certifica che il prodotto Automatic Microphone Mixer, FP410E, è conforme alle norme e regole presentate in vfg 243/1992. La Zentralamt für Zulassungen im Fernmeldewesen è stata notificata che questo dispositivo viene venduto sul mercato ed ha ricevuto il diritto di verificare il dispositivo o il sistema per determinarne la conformità alle specifiche.



(1)

METER	LIMITER	OFF-	HOLD	LAST	PHANTOM
0 VU	THRESHOLD	ATTEN	TIME	LOCK-ON	POWER
+4	▲ +16 ▲	13 dB	0.4 SEC	IN	+14 V
▲	▼ +8 ▲	▲	▲	▲	▲
+8	▲ +4 ▼	∞	1.0 SEC	OUT	+48 V
	▼ 0 ▼				

(2)



FP410 BLOCK DIAGRAM



The Sound of Professionals... Worldwide®

Shure Incorporated
 222 Hartrey Avenue, Evanston IL 60202-3696
 Phone: 847 866-2200 FAX: 847 866-2279
 In Europe, Phone: 49-7131-72140 FAX: 49-7131-721414
 In Asia, Phone: 852-2893-4290 FAX: 852-2893-4055
 Internationally, Phone: 847 866-2200 FAX: 847 866-2585