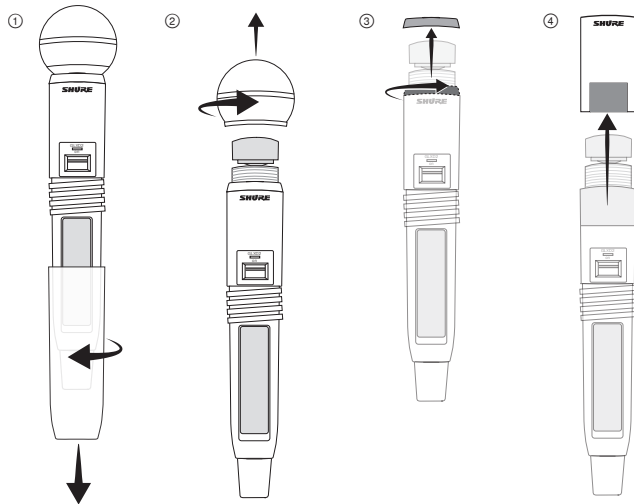
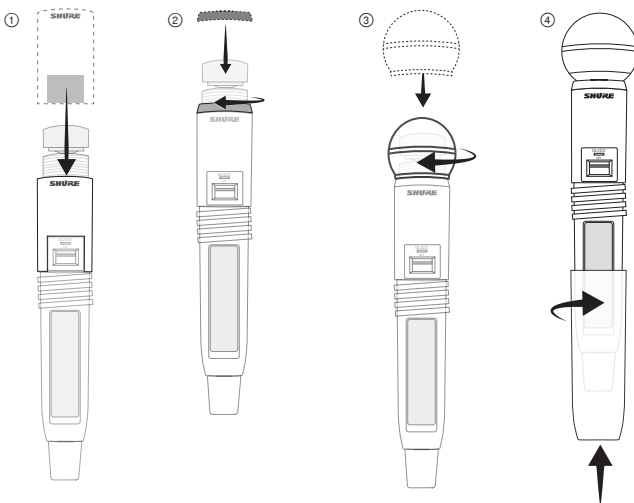


## Removing the Microphone Handle



1. Unscrew and remove the battery cover.
2. Unscrew the grille and carefully remove it so that it does not scrape against the microphone assembly underneath.
3. Remove the lock ring using the same procedure as removing the grille.
4. Slide the cover off the microphone.

## Installing the Custom Handle



1. Slide the new cover onto the top end of the microphone.
2. Carefully slide the lock ring over the microphone assembly and tighten clockwise.
3. Gently guide the grille over the microphone assembly and tighten clockwise.
4. Install the new battery cover on the microphone and rotate clockwise to tighten.

**Warning:** Please immediately cease using this custom microphone handle if it becomes cracked, chipped, or otherwise physically damaged.