

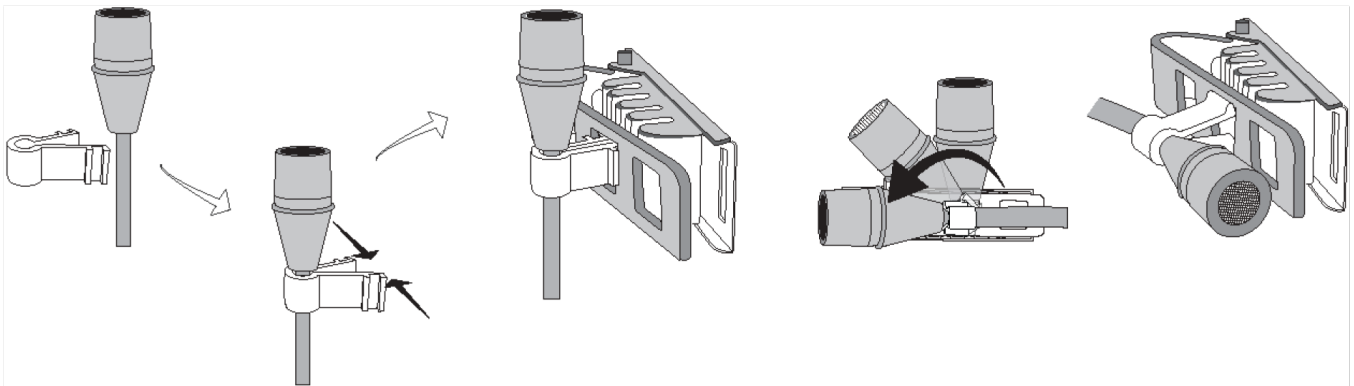
---

## MX150-TC -- Multi-Position Tie Clip

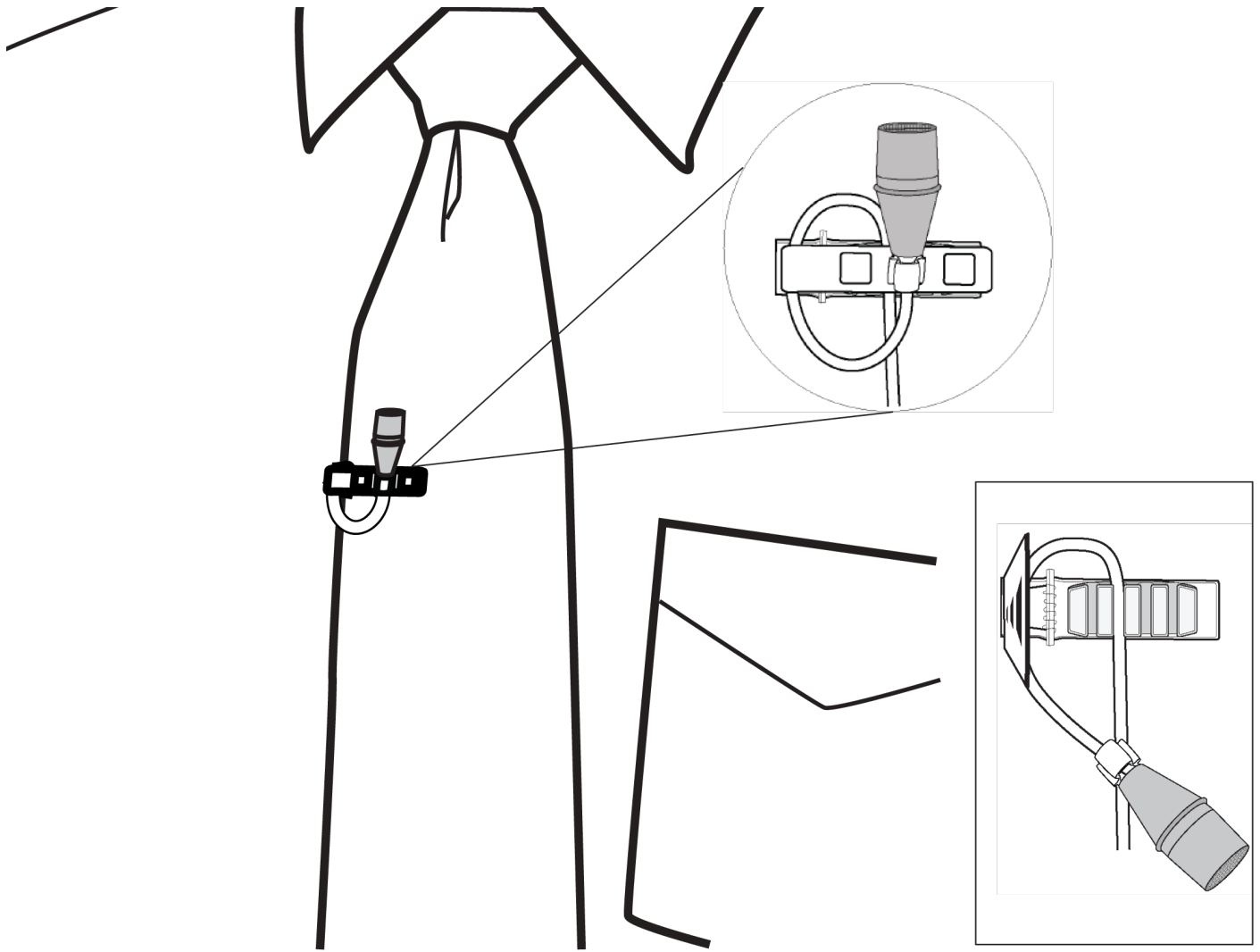
---

### Routing and Positioning

#### Tie Clip Assembly

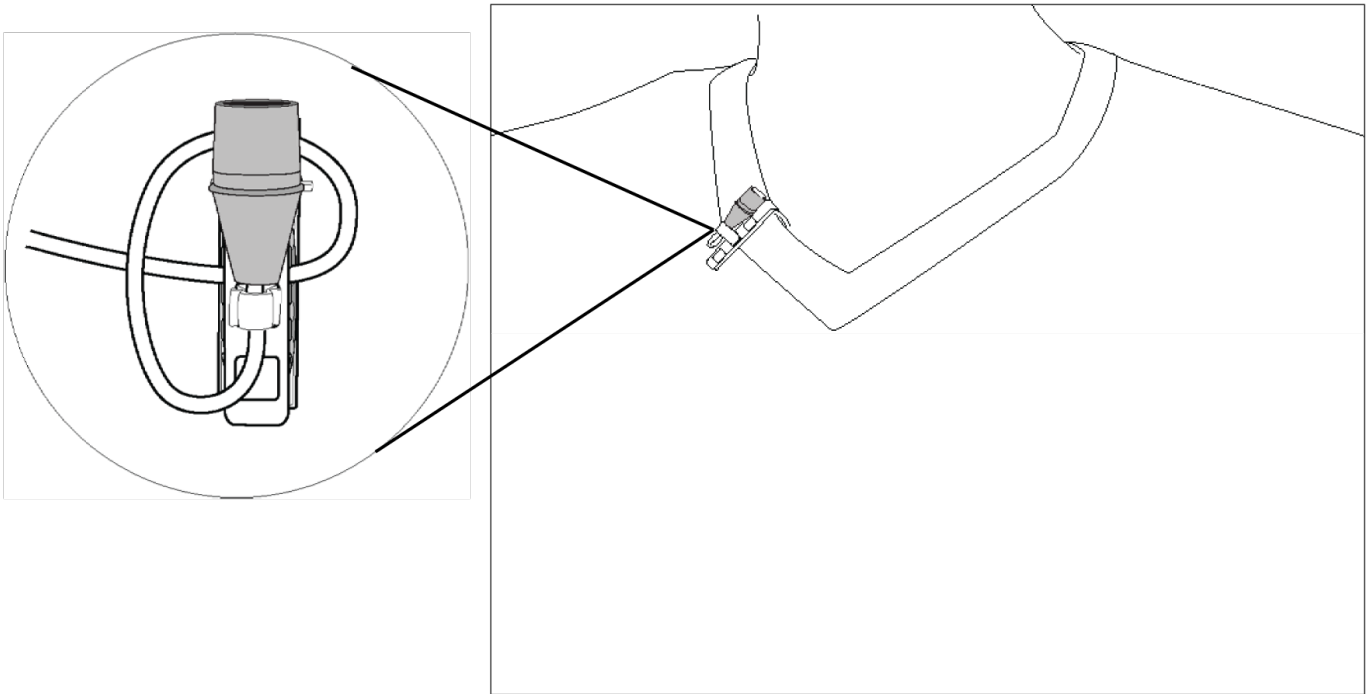


# Single Lavalier



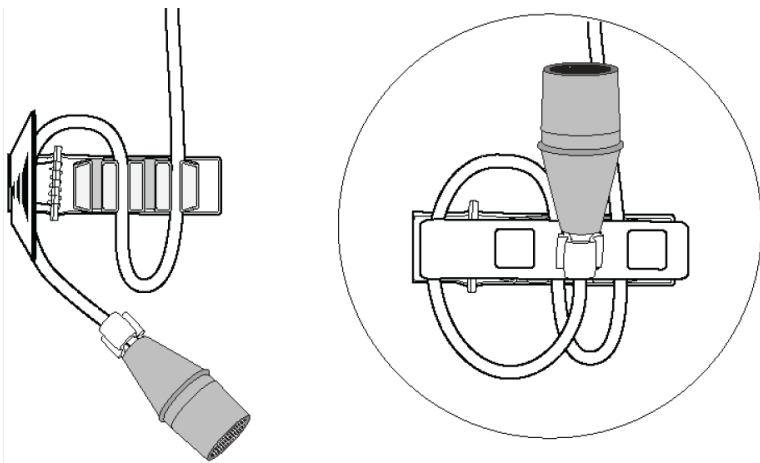
Standard positioning for ties or dress shirts

Horizontal



For shirt collars or necklines

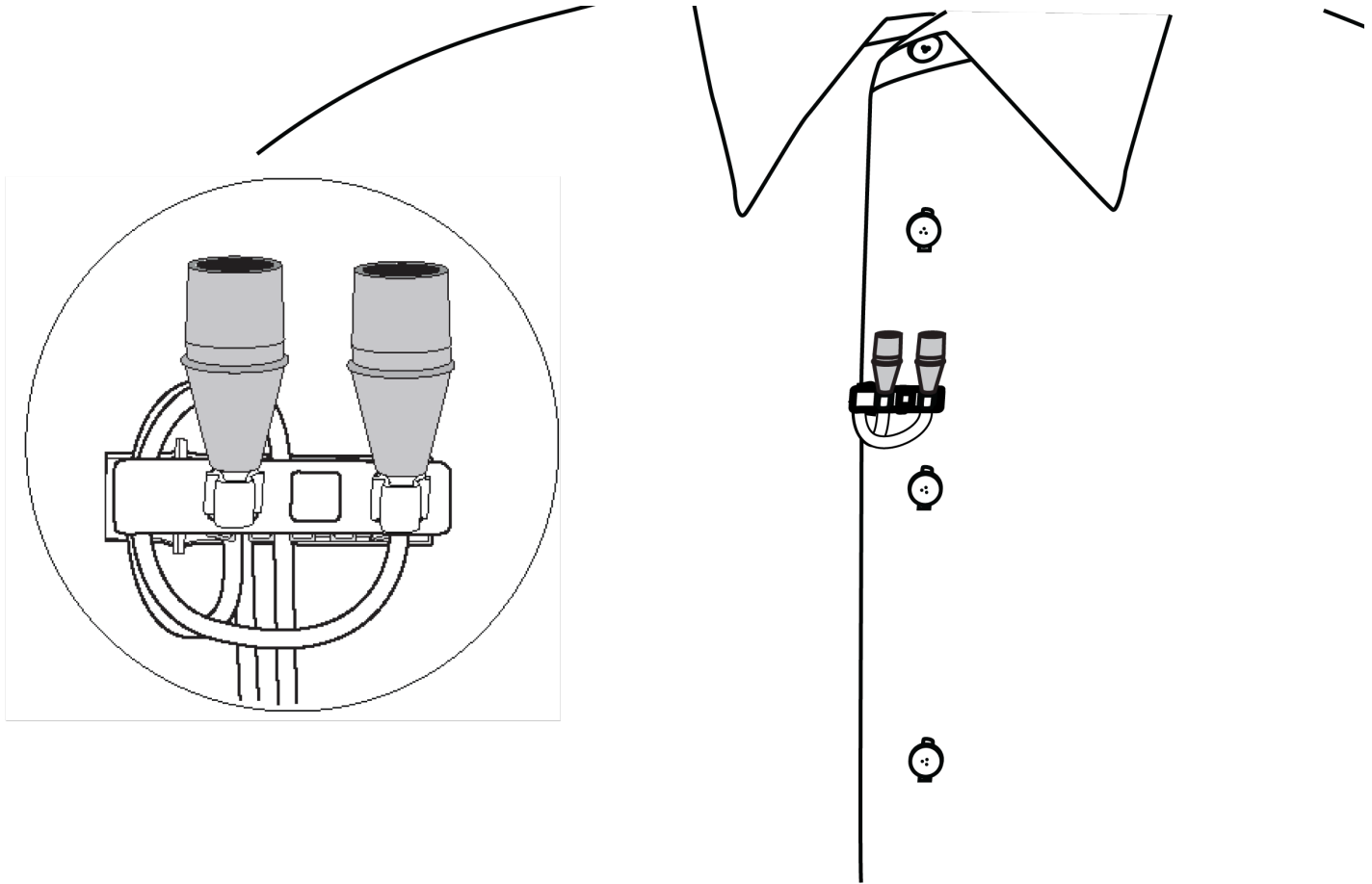
Vertical



The cable exits the top of the clip to route over the shoulder

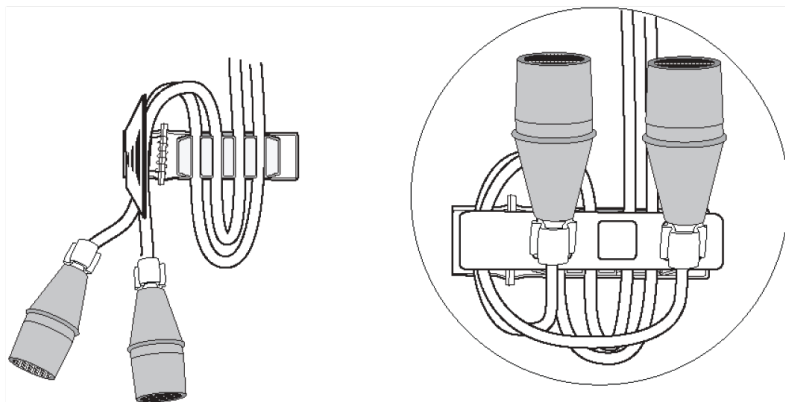
Shoulder Exit

# Dual Lavalier



Standard positioning for ties or dress shirts

## Horizontal



The cables exit the top of the clip to route over the shoulder

## Shoulder Exit

## Cable Loop

Route the cable in the clip with a loop to reduce cable noise.