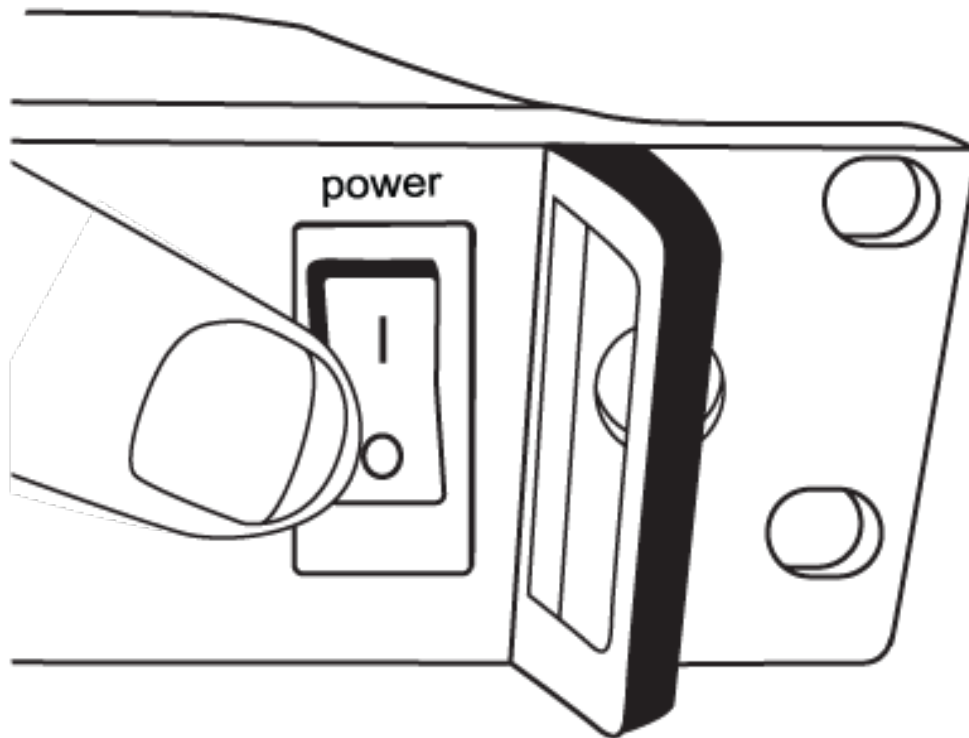
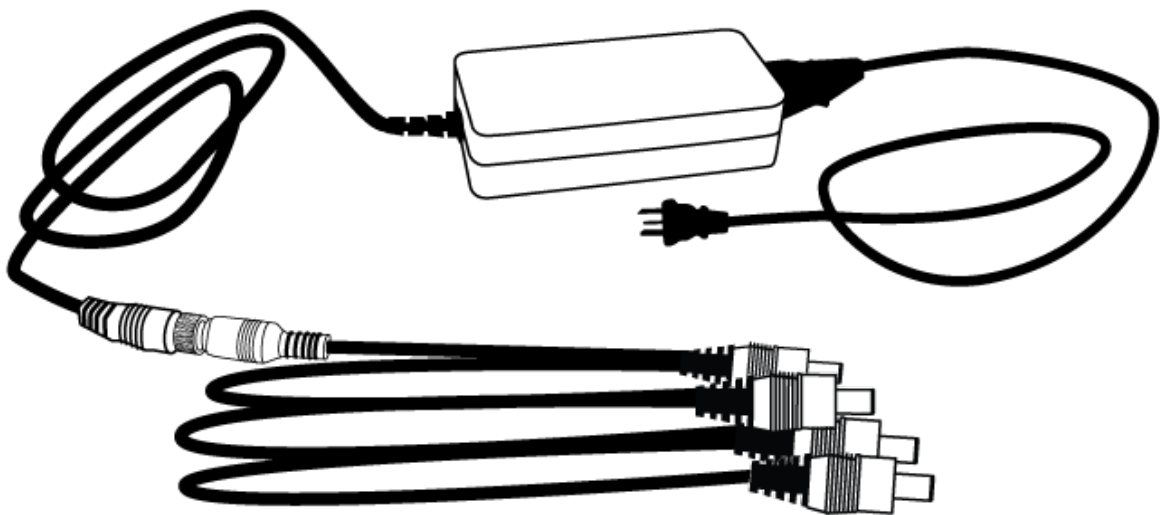
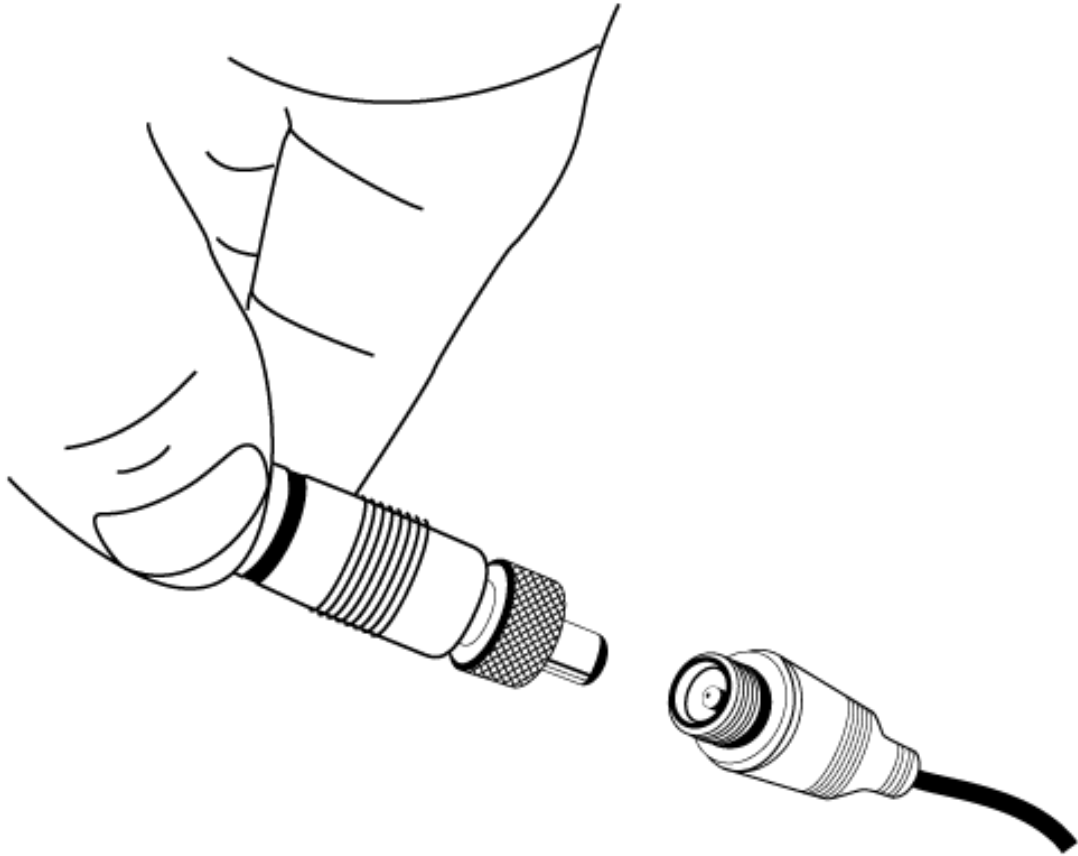
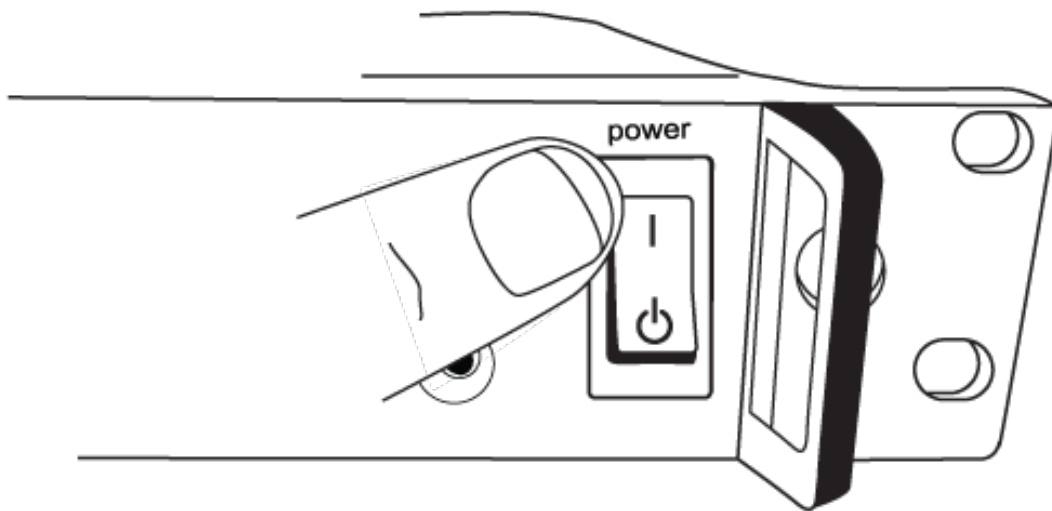
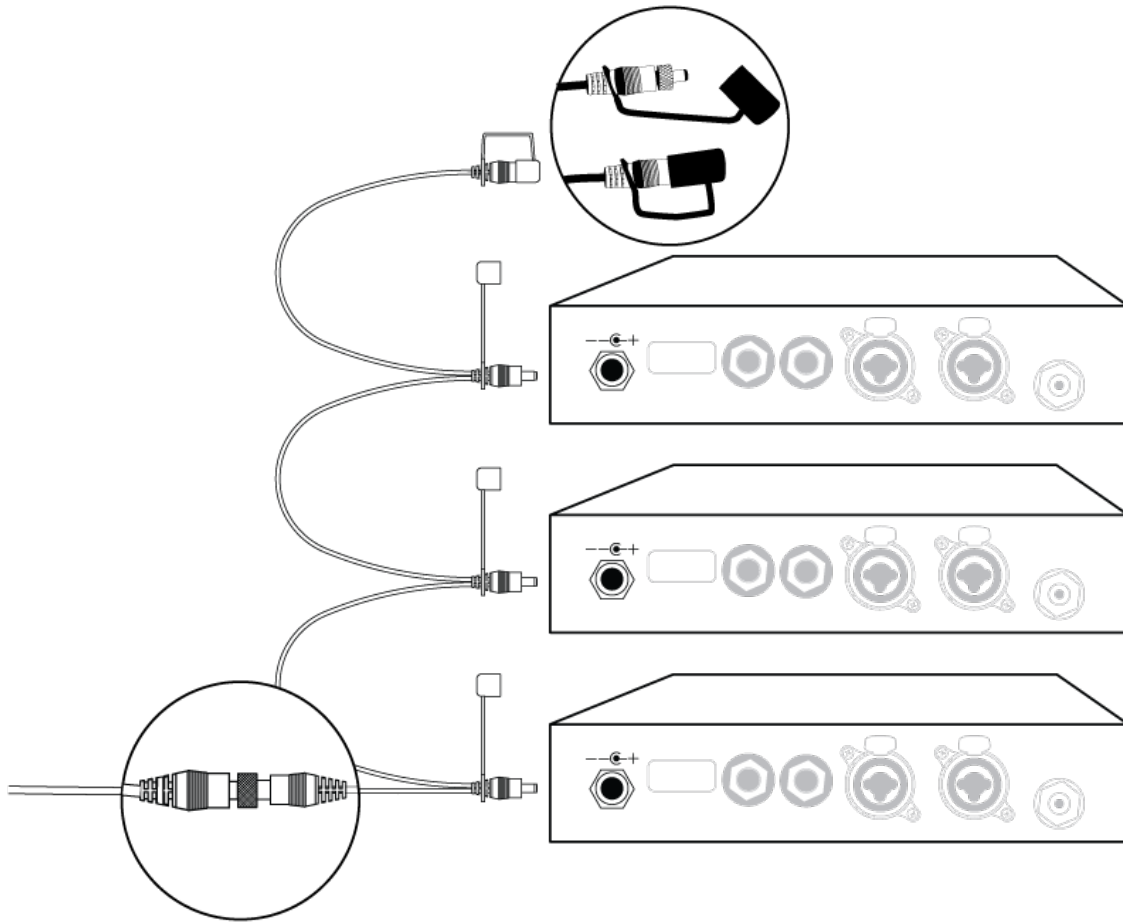


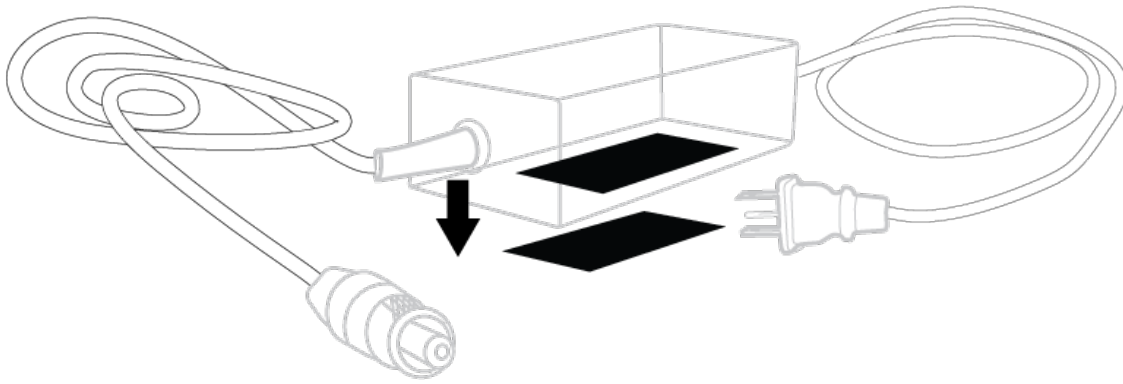
PS124 PS124L -- Power Supply

Installation



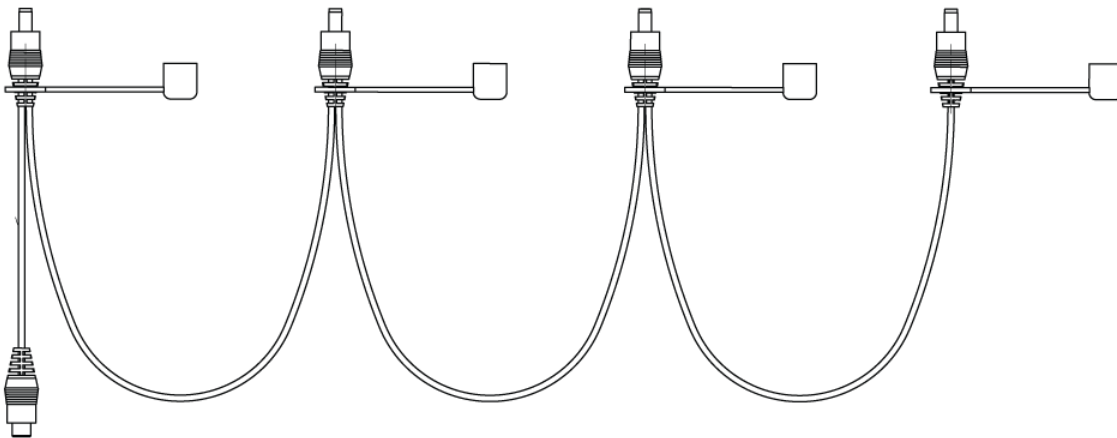


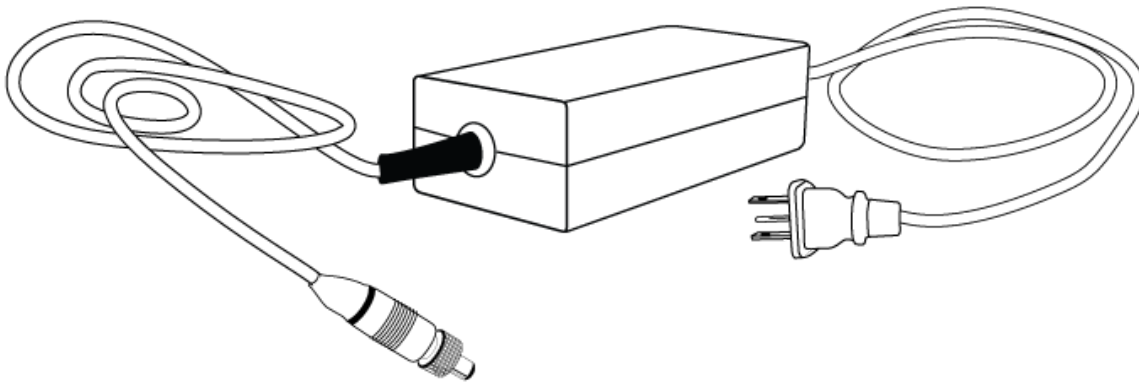




PS124

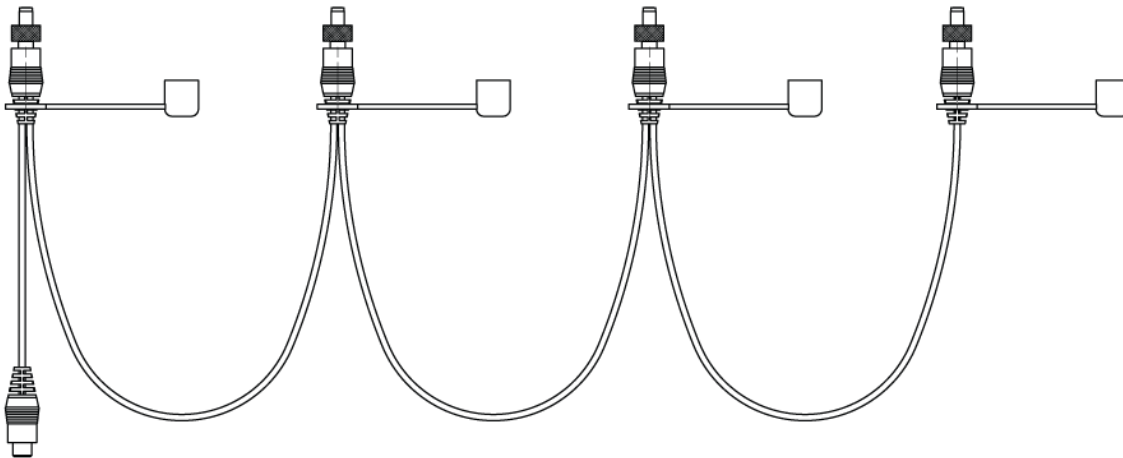
- PG
- PGX
- SLX
- PSM200
- PGXD

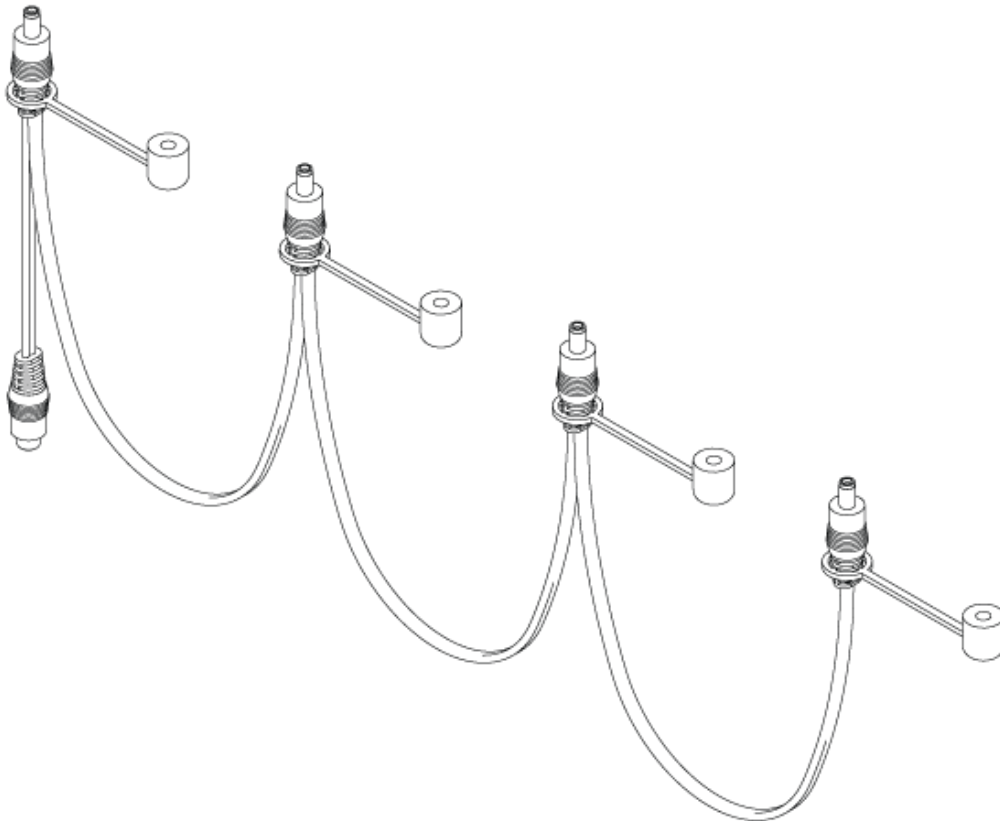
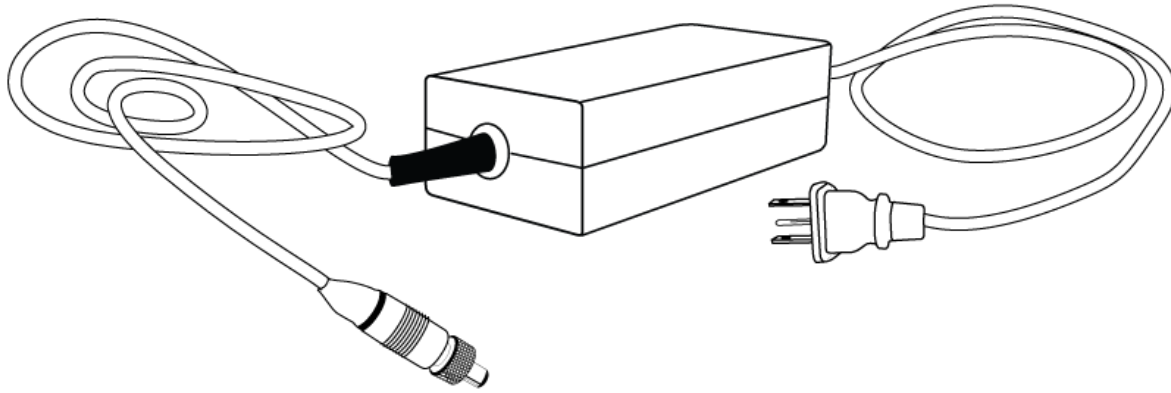




PS124L

- ULX
- PSM900





Certifications

The CE Declaration of Conformity can be obtained from: www.shure.com/europe/compliance

Authorized European representative:

Shure Europe GmbH

Headquarters Europe, Middle East & Africa

Department: EMEA Approval

Jakob-Dieffenbacher-Str. 12

75031 Eppingen, Germany

Phone: +49-7262-92 49 0

Fax: +49-7262-92 49 11 4

Email: info@shure.de