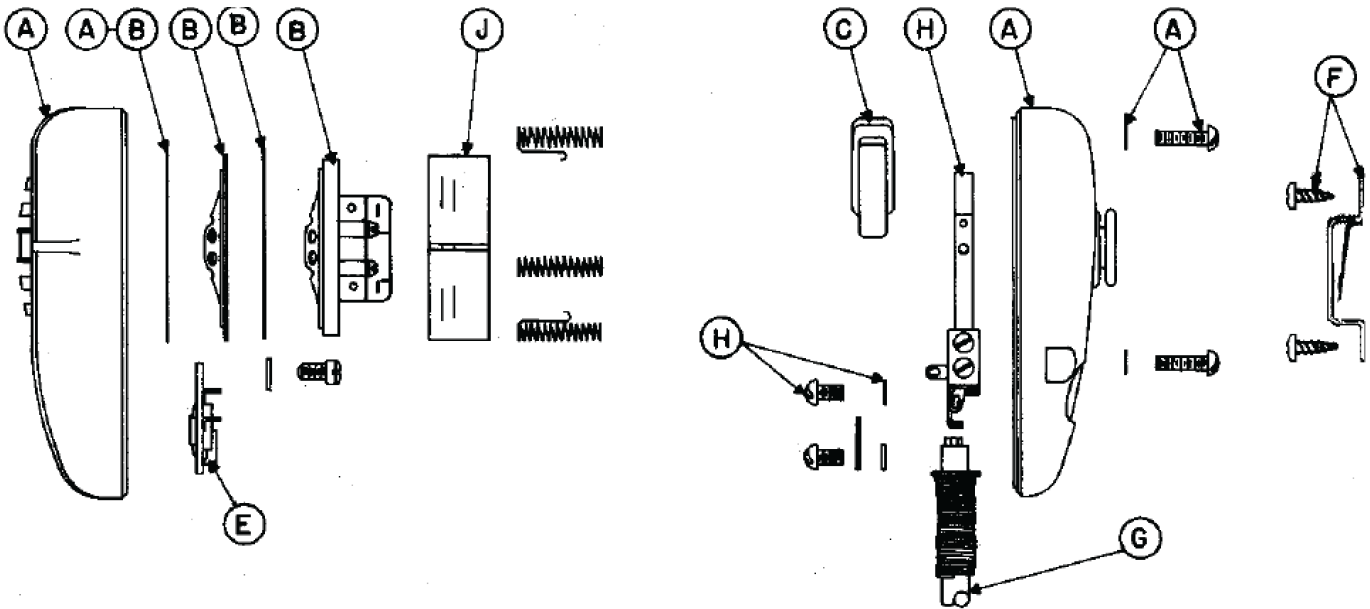


RK6MB -- Replacement Parts

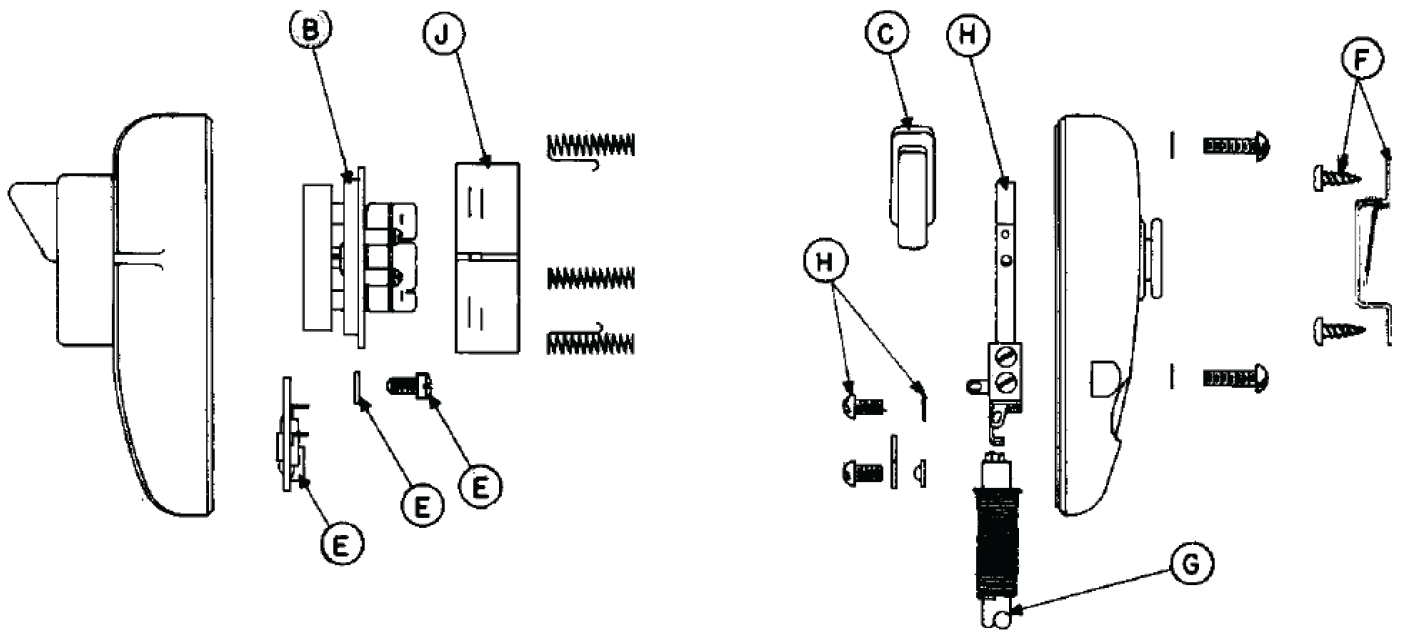
Replacement Parts for Models 104A, 104B, 404B, 404C, 405K, 405T, 414A, 414B, 414C, 418A, 419B, 488A, 488B, 488C, and 488T Microphones



Item	Description	Microphone Models				
		404B	404C	405K	405T	418A
A	Case Set	RK1C	—	—	RK1C	RK1C
B	Cartridge Assembly	R5E	R5F	R5D	R5E	—
F	Mounting Brackets/Screws*	RK6MB	RK6MB	RK6MB	RK6MB	RK6MB
G	Cable	C14C	C12C	C11C	C15C	—
H	Switch Assembly	RK7S	RK7S	—	—	—

See drawing for identification of parts by item letters.

* - 3 brackets with screws in each kit.

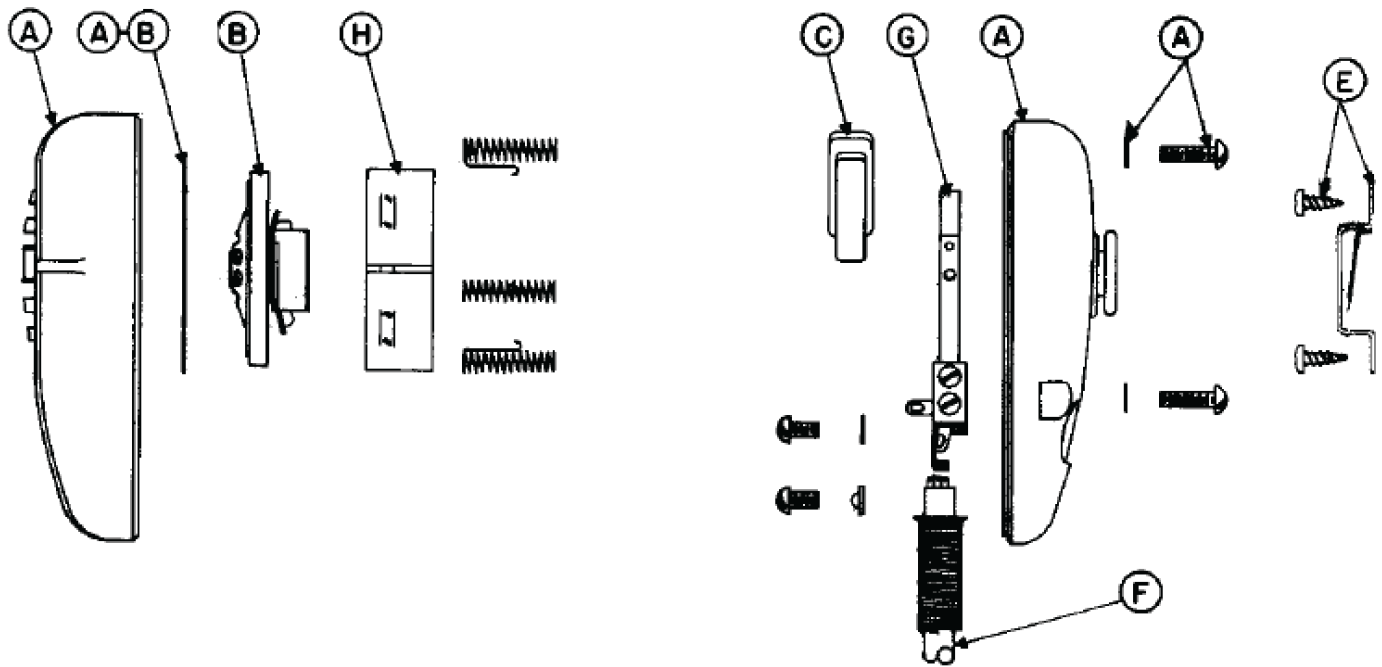


Item	Description	Microphone Models			
		488A	488B	488C	488T**
B	Cartridge Assembly	—	—	—	R88T
F	Mounting Brackets/Screws*	RK6MB	RK6MB	RK6MB	RK6MB
G	Cable	C12C	C14C	C15C	C22C
H	Switch Assembly	RK7S	RK7S	—	—

See drawing for identification of parts by item letters.

* - 3 brackets with screws in each kit.

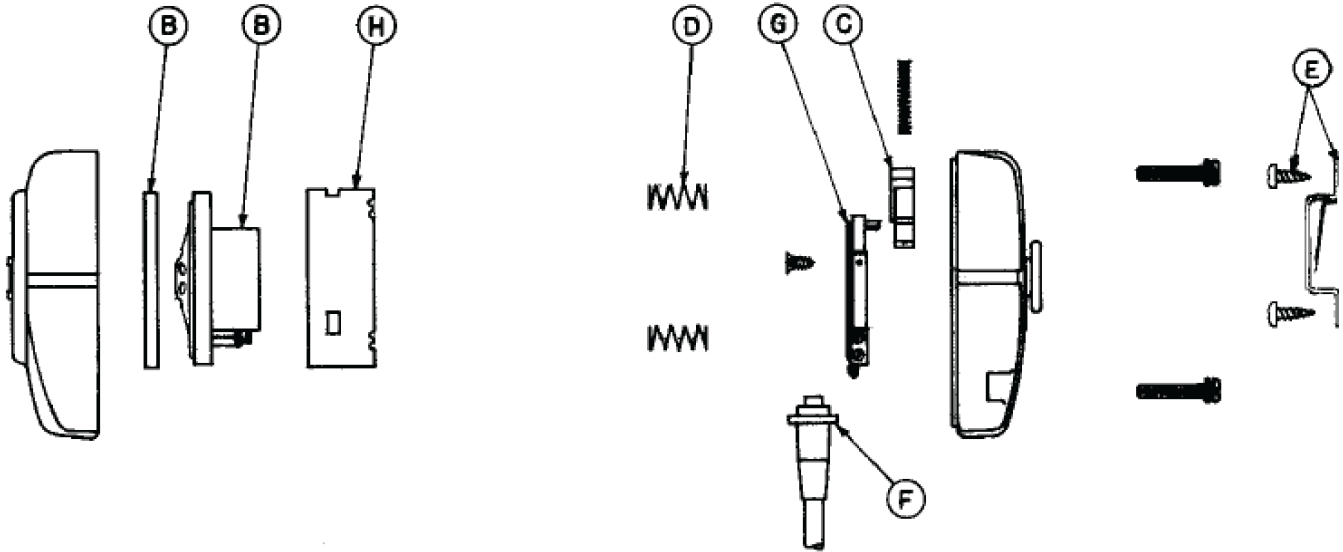
** - Model 488T is FAA certified for aircraft use and is within the FAA TSO-C58 requirements. To maintain this FAA certification any repairs for the Model 488T must be performed by Shure Incorporated or an FAA approved service facility.



Item	Description	Microphone Models	
		104A	104B
A	Case Set	RK1C	RK1C
B	Cartridge Assembly	R10B	R10B
E	Mounting Brackets/Screws*	RK6MB	RK6MB
F	Cable	C15C	C15C

See drawing for identification of parts by item letters.

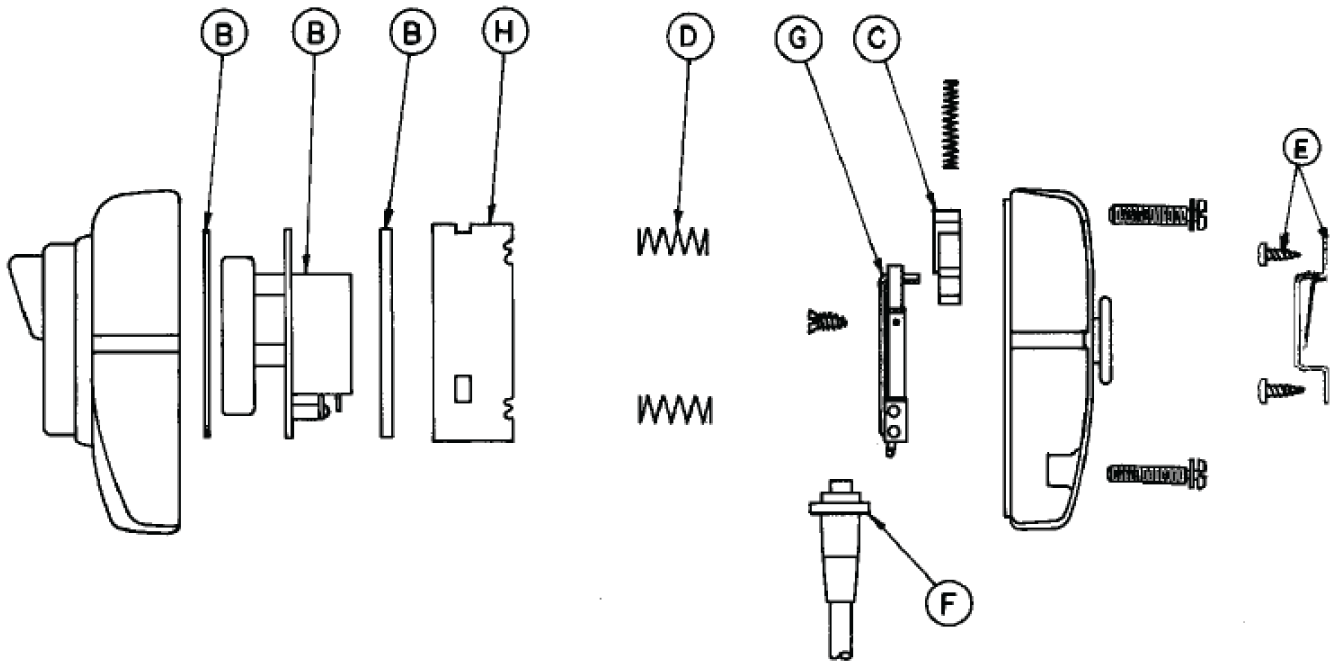
* - 3 brackets with screws in each kit.



Item	Description	Microphone Models		
		414A	414B	414C
B	Cartridge Assembly	R14A	R14B	—
E	Mounting Brackets/Screws*	RK6MB	RK6MB	RK6MB
F	Cable	—	C25C	—

See drawing for identification of parts by item letters.

* - 3 brackets with screws in each kit.



Item	Description	Microphone Models	
		419A	419B
B	Cartridge Assembly	—	R19B
E	Mounting Brackets/Screws*	RK6MB	RK6MB
F	Cable	—	C25C

See drawing for identification of parts by item letters.

* - 3 brackets with screws in each kit.