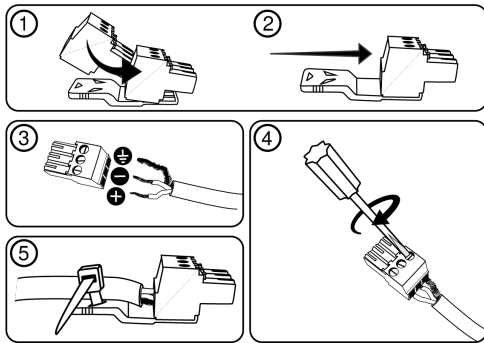


HKCA -- Hardware Kit and Connector Assembly

Connector and Strain Relief Assembly

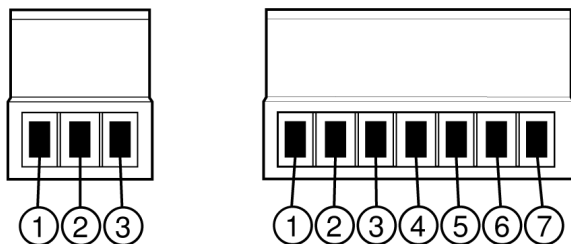
Attach the strain relief tabs to the connector to alleviate tension on the cable and prevent accidental disconnection. Use two relief tabs for the 7-pin connectors.



1. Slide the connector onto the tracks of the relief tab.
2. Slide forward until there is an audible click and the connector sits flat on the tab.
3. Strip and prepare the audio cable.
4. Insert each wire to the appropriate slot and screw down.
5. Wrap the zip-tie around the cable and into the relief tab.

To Remove: Gently pull the connector up and slide it backwards to avoid breaking the tab.

Connector Terminals



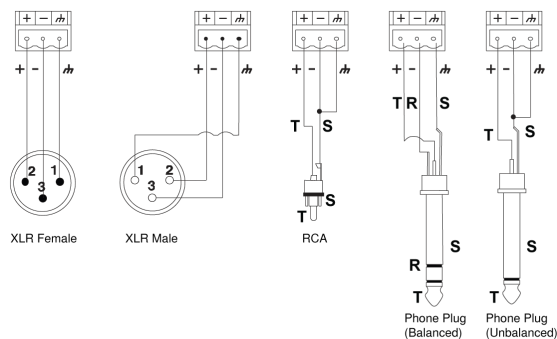
3-Pin and 7-Pin Connectors

- ① Audio +
- ② Audio -
- ③ Audio ground

- ④ Logic gate out
- ⑤ Logic mute in
- ⑥ Logic override in
- ⑦ Logic ground

Audio Cable Wiring

Reference the diagram to correctly wire the cable to the connector:



Audio Cable Wiring

Included Parts

Part Number	Description	Country of Origin	Quantity		
			SCM820	MXWANI8	MXWANI4
30F8060C	Screws	USA	4	4	4
65A8234	Washers	USA	4	4	4
80A498	Screwdriver	Korea	1	1	1
95B20079	3-Pin Block Connector for Outputs (orange)	USA	10	8	4
95B20078	Strain Relief (orange)	USA	10	8	4
95A20080	7-Pin Block Connector for Inputs (black)	USA	8	0	0

Part Number	Description	Country of Origin	Quantity		
			SCM820	MXWANI8	MXWANI4
95A20079	3-Pin Block Connector for Inputs (black)	USA	1	8	4
95A20078	Strain Relief (black)	USA	17	8	4
80A583	Cable Tie	USA	27	16	8