

SFG-2 -- Stylus Force Gauge

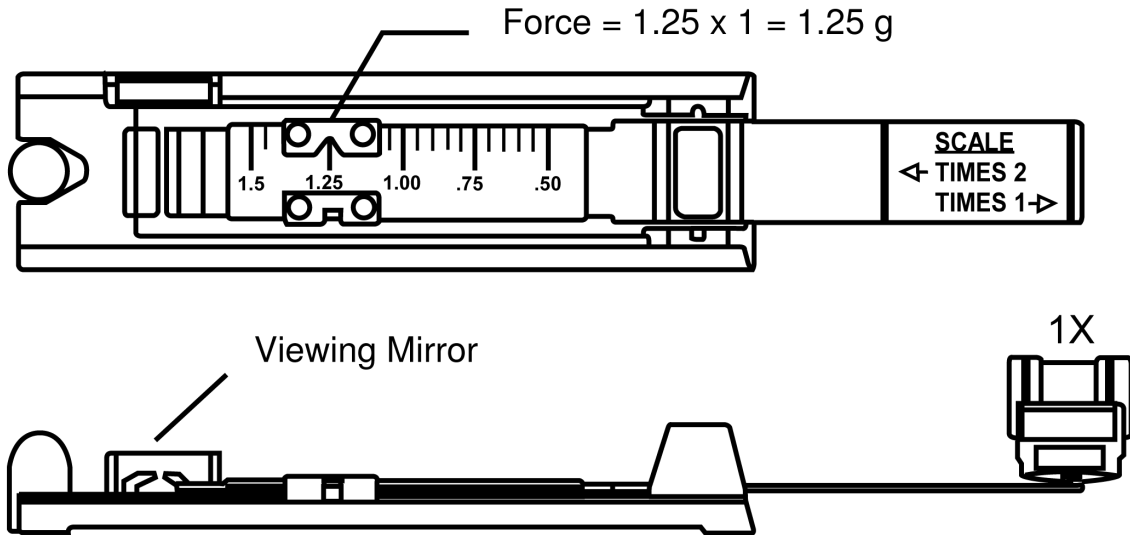
General Description



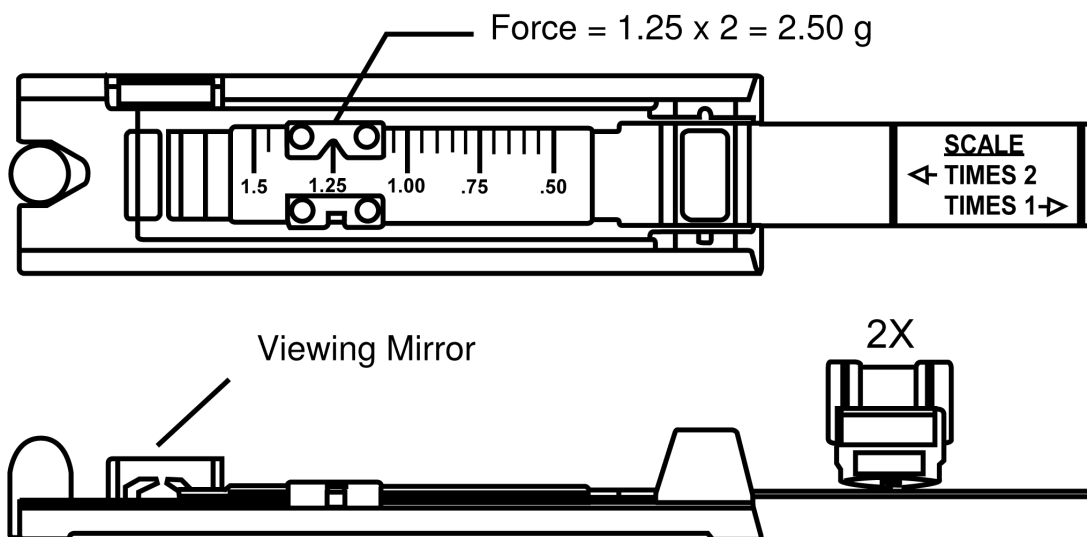
The Shure Model SFG-2 Stylus Tracking Force Gauge is a highly accurate beam balance that is designed for measuring stylus tracking forces from 0.5 to 3.0 grams in .05 gram increments. Its rolling bearing pin pivots are engineered for minimal friction. Each SFG-2 Tracking Force Gauge is factory calibrated.

Instructions for Use

1. Ensure that your turntable is on a level surface and that its platter is level.
2. Place the SFG-2 on your turntable platter so that the turntable spindle fits into the vee notch of the SFG-2, as pictured above. For better stability, you may instead place the SFG-2 on top of an LP record. Temporarily set anti-skating controls on your turntable or tonearm to zero.
3. Position the sliding weight on the SFG-2 at the tracking force that you would like to set for your tonearm (measured in grams). For forces over 1.50 grams, set the weight to half the desired force.
4. Carefully lower the tonearm and cartridge so that the stylus rests in one of the grooves on the lever arm. If you dialed in the force desired, use the groove labelled "TIMES 1"; if you dialed in half the desired force, use the "TIMES 2" groove, as illustrated below.



Using the "Times 1" Groove



Using the "Times 2" Groove

5. Carefully lift the stylus out of the groove and adjust your tonearm's counterweight to reduce or increase the tracking force as necessary. Adjust the tracking force until the white pointers, visible in the mirror, are edge to edge.
6. When finished, reset any anti-skate adjustments according to your tonearm or turntable manufacturer's instructions.

LIMITED WARRANTY

Shure Incorporated ("Shure") hereby warrants that this product will be free in normal use of any defects in materials and workmanship for a period of two (2) years from the date of purchase for all cartridge and housing assembly parts and for a period of two years from the date of purchase for all transmitter parts. At its option Shure will repair or replace the defective product and promptly return it to you, or refund the purchase price. You should retain proof of purchase to validate the purchase date and return it with any warranty claim.

If you believe this product is defective within the warranty period, carefully repack the unit, insure it and return it postage prepaid to: Shure Incorporated, Attention: Service Department, 5800 W. Touhy Avenue, Niles, IL 60714-4608 U.S.A. Outside of the United States, return the product to your dealer or Authorized Service Center.

This warranty does not apply in cases of abuse or misuse of the product, use contrary to Shure's instruction, ordinary wear and tear, an act of God or unauthorized repair. All implied WARRANTIES OF MERCHANTABILITY or FITNESS FOR A PARTICULAR PURPOSE are hereby disclaimed and Shure hereby disclaims liability for incidental, special, or consequential damages resulting from the use or unavailability of this product.

Some states do not allow limitations on how long an implied warranty lasts, or the exclusion or limitation of incidental or consequential damages, so the above limitation may not apply to you. This warranty gives you specific legal rights, and you may have other rights which vary from state to state.

THIS WARRANTY SUPERSEDES ALL OTHER WARRANTIES THAT ARE ASSOCIATED OR INCLUDED WITH THIS PRODUCT.