



GENERAL

Designed to provide very clean and natural sound reproduction while presenting a slim, neat appearance, the Model SM60 is also a very rugged and versatile microphone. The built-in wind and pop filter assures very effective control of breath noise and "popping" when the microphone is used close, and removes the need for add-on windscreens for outdoor use. The performance, small size, and ruggedness of the SM60 make it an ideal choice for on-camera or on-stage use by vocalists and M.C.'s, for studio and remote interviews, news, sports, and a variety of similar applications.

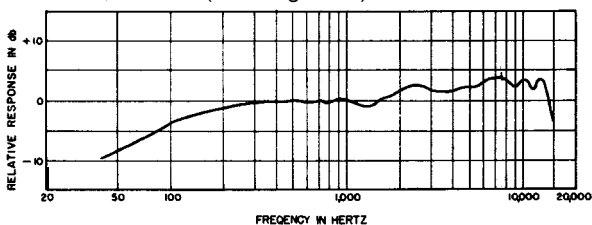
Microphone Features:

- Compact size, advanced styling, excellent handling feel.
- Smooth, natural sound from wide, slightly tailored frequency response.
- Built-in wind and "pop" filter to minimize breath and wind noise.
- Rugged-will retain its performance and handsome appearance even under severe field or stage use.
- Versatility-appearance and size suitable for the most glamorous application, in the hand or on a stand-yet rugged enough for strenuous field and location use.

SPECIFICATIONS

Type
Dynamic

Frequency Response
45 to 15,000 Hz (See Figure 1)

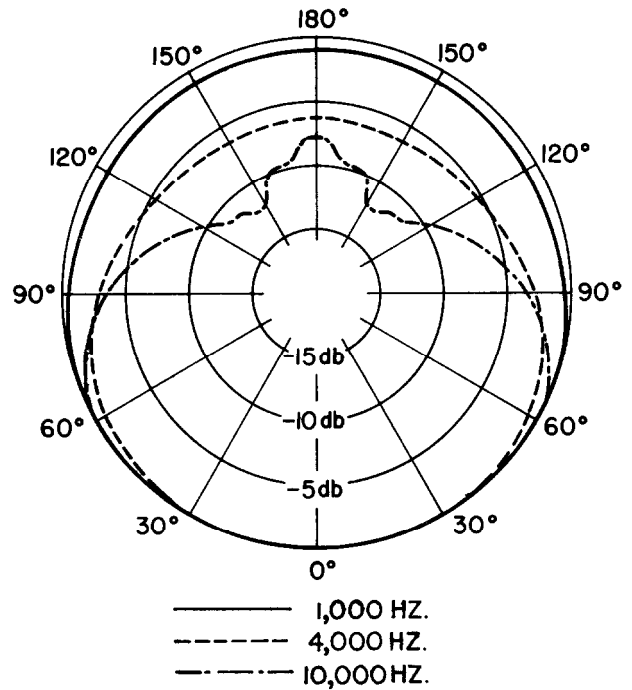


TYPICAL FREQUENCY RESPONSE
FIGURE 1



Polar Pattern

Omnidirectional (See Figure 2)



TYPICAL POLAR PATTERN
FIGURE 2

Impedance

Microphone rating impedance is 150 ohms (200 ohms actual) for connection to microphone inputs rated at 19 to 300 ohms.

Output Level (at 1,000 Hz)

Open circuit voltage -82.0 dB (.079 mV)*
Power level -61.0 dB**

*0 dB = 1 volt per microbar.
**0 dB = 1 milliwatt per 10 microbars.

Hum Pickup (typical)

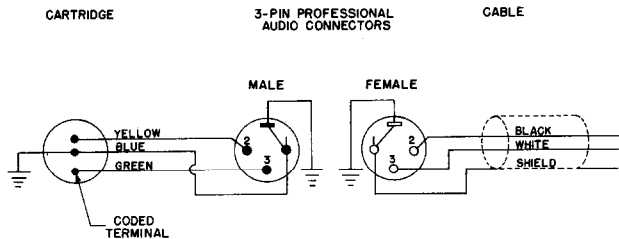
27 dB equivalent SPL in a 1 millioersted field

Phasing

Positive pressure on diaphragm produces positive voltage on pin 2 of connector with respect to pin 3 (see Figure 3)

Cable

6.1m (20 ft) 2-conductor shielded broadcast type



INTERNAL CONNECTIONS

FIGURE 3

Connector

Professional three-pin male audio connector on microphone designed to mate with Cannon XL series, Switchcraft A3 (Q.G.) series, or equivalent connector on cable.

Finish

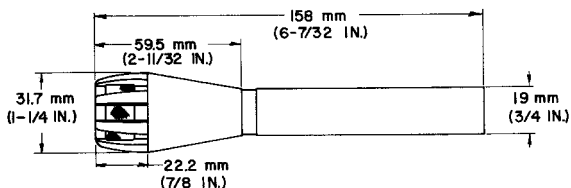
Champagne enamel

Swivel Adapter

Snap-in positive-action, adjustable from 0° to 90°, with standard 5/8"-27 thread

Dimensions

See Figure 4



OVERALL DIMENSIONS

FIGURE 4

Net Weight (less cable)

170 grams (6 oz)

Packaged Weight

907 grams (2 lb)

ARCHITECTS' SPECIFICATIONS

The microphone shall be the Shure Model SM60 or equivalent. The microphone shall be a moving coil (dynamic) type with a frequency range of 45 to 15,000 Hz. The unit shall have an omnidirectional horizontal polar characteristic. The microphone shall have a rating impedance of 150 ohms for connection to microphone inputs rated at 19 to 300 ohms.

The microphone output shall be:

150 ohm impedance -61.0 dB
(0 dB = 1 milliwatt per 10 microbars)

The microphone shall be provided with a swivel adapter adjustable through 90° from vertical to horizontal and a 6.1m (20 ft) 2-conductor shielded cable equipped with a professional three-pin audio connector designed to mate with Cannon XL series, Switchcraft A3 (Q.G.) series or equivalent connector. The microphone swivel adapter will mount on a stand having 5/8"-27 thread.

The overall dimensions shall be 158 mm (6-7/32") in length and 31.7 mm (1 1/4") in diameter.

FURNISHED ACCESSORY

Swivel AdapterA57D

REPLACEMENT PARTS

Dynamic Cartridge R60
Grille AssemblyRK158G
Plug ElementRK152P
Cable C50

OPTIONAL ACCESSORIES

Desk StandS33P, S39A
Line Matching TransformerA95 Series

GUARANTEE

This Shure product is guaranteed in normal use to be free from electrical and mechanical defects for a period of one year from date of purchase. Please retain proof of purchase date. This guarantee includes all parts and labor. This guarantee is in lieu of any and all other guarantees or warranties, express or implied, and there shall be no recovery for any consequential or incidental damages.

SHIPPING INSTRUCTIONS

Carefully repack the unit and return it prepaid to:
Shure Brothers Incorporated
Attention: Service Department
1501 West Shure Drive
Arlington Heights, Illinois 60004

If outside the United States, return the unit to your dealer or Authorized Shure Service Center for repair. The unit will be returned to you prepaid.