



GENERAL

The Shure Model SM76 Dynamic Omnidirectional Microphone is designed specifically in size and performance for studio and remote use in TV, radio, and professional recording.

Model SM76 Features:

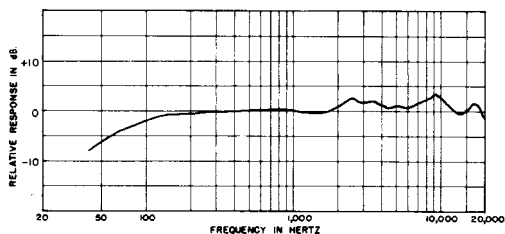
- Smooth extended frequency response from 45 to 20,000 Hz
- Omnidirectional pickup pattern for increased off-axis pickup, minimal proximity effect
- Slender design, lightweight
- Versatility-for use in the hand or on a stand-for use indoors or outdoors
- Dependability- under all operating conditions
- Ruggedness-will operate for years without deviation from original standards

The SM76 meets exacting requirements for maximum quality and minimum size. The microphone is supplied with an adjustable swivel adapter, permitting the microphone to be tilted through 90° from vertical to horizontal.

SPECIFICATIONS

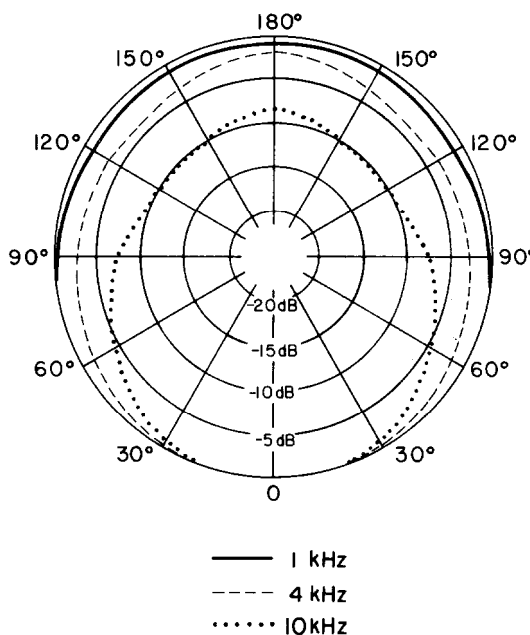
Type
Dynamic

Frequency Response
45 to 20,000 Hz (see Figure 1)



TYPICAL FREQUENCY RESPONSE
FIGURE 1

Polar Pattern
Omnidirectional (see Figure 2)



TYPICAL POLAR PATTERNS
FIGURE 2

Impedance

Dual. Microphone rating impedance is 38 ohms (48 ohms actual) and 150 ohms (235 ohms actual) for connection to microphone inputs rated at 19 to 300 ohms. Wired for 150 ohms as supplied. See Impedance Changing.

Output Level (at 1,000 Hz)

	IMPEDANCE	
	38 ohms	150 ohms
Open Circuit Voltage*	-88.0 dB (0.04 mV)	-81.5 dB (0.08 mV)
Power Level**	-61.0 dB	-61.0 dB

*0 dB = 1 volt per microbar
 **0 dB = 1 milliwatt per 10 microbars

Hum Pickup (typical at 60 Hz)
30 dB equivalent SPL in a 1 millioersted field

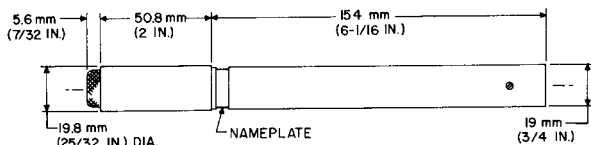
Connector
Professional three-pin audio connector on microphone designed to mate with Cannon XL series, Switchcraft A3 (Q.G.) series, or equivalent connector

Finish
Dark gray enamel

Cable
6.1m (20 ft) 2-conductor shielded with professional three-socket audio connector on microphone end

Swivel Adapter
Snap-in positive-action, adjustable from 0° to 90°, with standard 5/8"-27 thread

Dimensions
See Figure 3



OVERALL DIMENSIONS
FIGURE 3

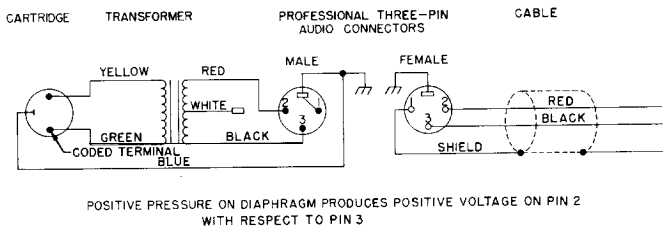
Net Weight (less cable)
198 grams (7 oz)

Packaged Weight
964 grams (2 lb, 2 oz)

IMPEDANCE CHANGING

The impedance of the SM76 may be changed to 38 ohms as follows (see Figures 3 and 4):

1. Remove insert from receptacle end of microphone by first turning setscrew inward (counterclockwise).
2. Pull out 3-prong insert from receptacle.
3. Disconnect RED lead from Pin 2.
4. Solder WHITE lead to Pin 2.
5. Insulate end of RED lead with tape.
6. Reassemble insert into receptacle and tighten setscrew by turning outward (clockwise).



INTERNAL CONNECTIONS
FIGURE 4

ARCHITECTS SPECIFICATIONS

The microphone shall be a moving coil (dynamic) type with a frequency response of 45 to 20,000 Hz. The unit shall have an omnidirectional polar characteristic. The microphone shall be dual impedance with rated impedances of 38 ohms and 150 ohms for connection to microphone inputs rated at 19 to 300 ohms.

The microphone output shall be -61.0 dB with 0 dB equal to 1 milliwatt per 10 microbars.

The microphone shall be provided with a detachable 6.1 m (20 ft.) two-conductor shielded cable with a professional three-socket audio connector* at the microphone end. The microphone shall also be provided with a swivel adapter, adjustable through 90° from vertical to horizontal, and suitable for mounting on a stand having a 5/8"-27 thread.

The overall dimensions of the microphone shall be 210 mm (8-9/32 in.) in length and 19.8 mm (25/32 in.) in diameter.

The microphone shall be the Shure Model SM76 or equivalent.

* Designed to mate with Cannon XL series, Switchcraft A3 (Q.G.) series, or equivalent connector

FURNISHED ACCESSORY

Swivel Adapter A57E

REPLACEMENT PARTS

Cartridge 99A344
Head Assembly* 90D994
Cable C20D
Plug Element 90A1984
Case Assembly 90A2824

* Contains cartridge, cartridge case, and grille

OPTIONAL ACCESSORIES

Desk Stand S37A, S39A
Line Matching Transformer A95 Series
Floor Stand MS-10C
Baby Boom BB-44

GUARANTEE

This Shure product is guaranteed in normal use to be free from electrical and mechanical defects for a period of one year from date of purchase. Please retain proof of purchase date. This guarantee includes all parts and labor. This guarantee is in lieu of any and all other guarantees or warranties, express or implied, and there shall be no recovery for any consequential or incidental damages.

SHIPPING INSTRUCTIONS

Carefully repack the unit, have it insured, and return it prepaid to:

Shure Brothers Incorporated
Attention: Service Department
222 Hartrey Avenue
Evanston, Illinois 60204

If outside the United States, return the unit to your dealer or Authorized Shure Service Center for repair. The unit will be returned to you prepaid.