

General Description

The Shure UA221 is a bi-directional splitter/combiner which can be used to route the RF signal from a single antenna to two inputs, or to connect two antennas to a single input. The UA221 Antenna Splitter/Combiner Kit includes:

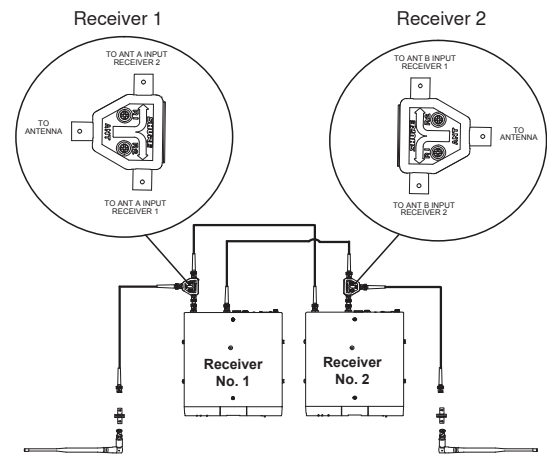
- (2) Single-input, dual-output passive antenna splitters
- (4) Coaxial cables
- (2) BNC male-to-male adapters
- (2) BNC bulkhead adapters

UA221 splitters are intended for use with Shure Wireless Systems. Use Shure 1/2 wave antennas and Shure 50 Ω low-loss antenna cables when configuring the wireless system.

Installing the UA221 Splitters

Use two UA221 Splitters and the supplied BNC male-to-male adapters and coaxial cables to split the RF signal from a single pair of antennas to the antenna inputs of two receivers.

Note: Antennas must be compatible with the operating frequency range of the receiver.



UA221 Connections

Specifications

Frequency Range

UA221Z	1000–2000 MHz
--------	---------------

Voltage Standing Wave Ratio (VSWR)

2:0

Impedance

50 Ω

Isolation

20 dB

Insertion Loss

2 dB (3 dB splitter loss not included)

Dimensions

64 x 48 x 22 mm (H x W x D)

Weight

45.3 g (1.6oz.)

Accessories

Furnished Accessories

Furnished Parts

0.5 m (2 ft.) Coaxial Antenna Cable (4)	UA802
BNC Bulkhead Adapters, lockwasher, nut (2)	95A8647
BNC Male-to-Male Adapter (2)	95A8738