

## General Description

The Shure UA860V is a passive, ground-reference omnidirectional VHF antenna for use with VHF wireless systems.

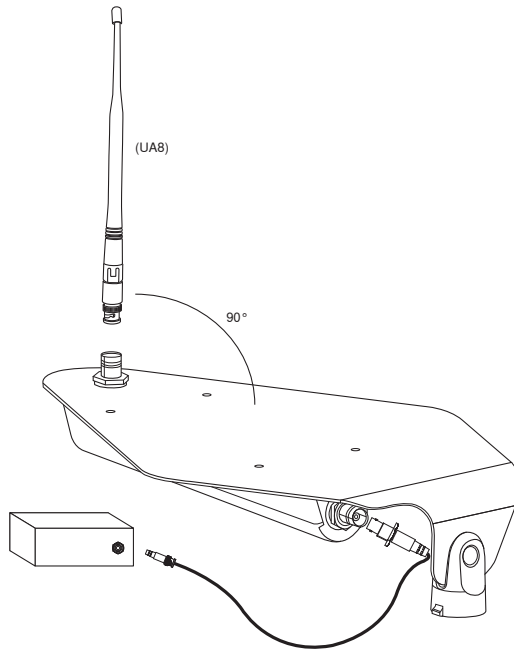
## Features

- Greatly improves reception of wireless signal

- Omnidirectional dipole reception pattern
- Integrated microphone stand adapter
- Includes UA8-174-216 antenna, thread adapter, and a 3m (10ft) coaxial antenna cable

## Installation

- Choose a location for installing the antenna that follows the proper guidelines for cabling and antenna placement.
- Connect the provided UA8 antenna to the top plate of the UA860V.
- Connect the UA860V to the receiver or antenna distribution system.
- Mount the UA860V to a microphone stand. For best performance, keep the antenna upright and the grounding plate horizontal.



UA860V Installation

## Cable Maintenance

To maintain top performance for antenna cables:

- Avoid sharp bends or kinks in the cables.
- Do not deform cables with makeshift clamps, such as bending a nail over the cable.
- Do not use in permanent outdoor installations.
- Do not expose to extreme moisture.

## Selecting Antenna Cables

Use 50 ohm low-loss coaxial cable, such as RG-8U. Shure offers pre-terminated antenna cables ranging from 6 to 100 feet.

## Antenna Placement

Use the following guidelines when mounting antennas:

- Receivers, amplifiers, and other accessories must be rated for use within the same frequency range as the antenna.
- Mount antennas at least one wavelength (1.75 m) apart.
- Keep antennas away from metal objects.
- Position antennas so there is nothing obstructing a line of sight to the transmitter (including the audience).
- Place antennas as close as possible to transmitter, such as to the side of the stage (instead of a front of house location).

- For cable runs exceeding 50 feet (15 meters), an in-line amplifier (Shure UA834) might be necessary to compensate for signal loss.

**Important:** Always perform a "walk around" test to verify coverage before using a wireless system during a speech or performance. Experiment with antenna placement to find the optimum location. If necessary, mark "trouble spots" and ask presenters or performers to avoid those areas.

## Find More Information Online

For more information, visit <http://www.shure.com>

---

## Specifications

**RF Frequency Range**

174 to 216 MHz

**Reception Pattern**

Omnidirectional, Dipole

**Voltage Standing Wave Ratio (VSWR)**referenced to 50  $\Omega$ 

&lt;2:1

**Connector**

Female, BNC

**Dimensions**

284 mm x 39 mmdia.

**Net Weight**

without cable

275 g (9.72 oz.)

---

## Accessories

**Furnished Accessories**

10 ft. BNC-BNC Coaxial Cable	PA725
5/8" to 3/8" Thread Adapter	31A1856

---

## Certifications

This product meets the Essential Requirements of all relevant European directives and is eligible for CE marking.

The CE Declaration of Conformity can be obtained from:  
[www.shure.com/europe/compliance](http://www.shure.com/europe/compliance)

Authorized European representative:  
 Shure Europe GmbH  
 Headquarters Europe, Middle East & Africa  
 Department: EMEA Approval  
 Jakob-Dieffenbacher-Str. 12  
 75031 Eppingen, Germany  
 Phone: +49-7262-92 49 0  
 Fax: +49-7262-92 49 11 4  
 Email: [info@shure.de](mailto:info@shure.de)