

**UNIDIRECTIONAL DYNAMIC HEAD-WORN MICROPHONE**



**GENERAL**

The VR230B combines an efficient "open-air" head-  
phone with a wide-frequency-range, close-talking  
dynamic microphone. The headset-microphone com-  
bination is very lightweight and durable, and extremely  
comfortable.

The VR230B microphone is particularly useful for  
voice processing and computer voice recognition. Its  
close-talking characteristics and *unidirectional pickup*  
pattern reduce unwanted background noise, permitting  
its use in noisy environments. The microphone  
characteristics are tightly controlled resulting in con-  
sistent response and output, while the receiver  
response is especially tailored to enhance voice in-  
telligibility.

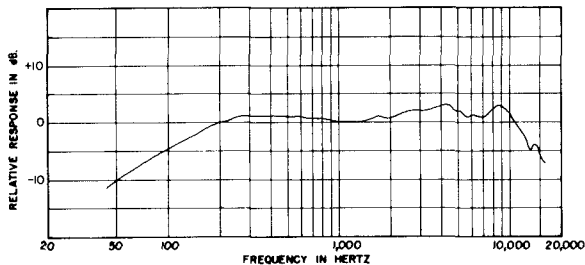
The headband easily adjusts to fit any head size or  
hairstyle, and the microphone boom length and car-  
tridge position are fully adaptable to any facial  
conformation. The VR230B's light weight reduces user  
fatigue even when worn for long sessions.

**SPECIFICATIONS**

**MICROPHONE**

**Type**

Dynamic, Close-Talking

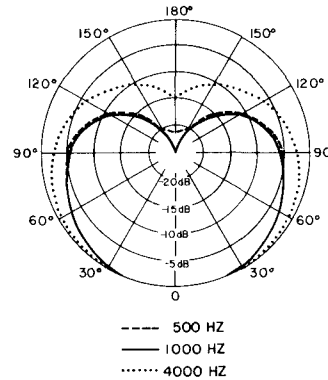


TYPICAL MICROPHONE FREQUENCY RESPONSE  
**FIGURE 1**

**Frequency Response** (at 8 mm [5/16 in.])  
50 to 15,000 Hz (see Figure 1)

**Polar Pattern**

Cardioid (unidirectional) response – uniform with fre-  
quency, symmetrical about axis (see Figure 2)



TYPICAL POLAR PATTERN  
**FIGURE 2**

**Impedance**

Microphone rating impedance is 150 ohms (200 ohms  
actual) for connection to microphone inputs rated at  
19 to 300 ohms

**Output Level** (close-talked at 1,000 Hz)

Open Circuit Voltage . . . . . – 47.0 dB (4.5 mV)  
0 dB = 1 volt per 100 microbars

Power Level . . . . . – 66.0 dB  
0 dB = 1 milliwatt per 10 microbars

**Hum Sensitivity** (typical)

38.4 dB equivalent SPL in millioersted field

**Phasing**

Positive pressure on diaphragm produces positive  
voltage on red cable lead

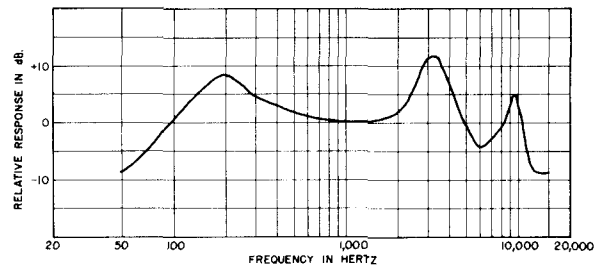
**RECEIVER**

**Type**

Dynamic, open air, left side only

**Frequency Response**

100 to 10,000 Hz, tailored for voice intelligibility (see  
Figure 3)



TYPICAL RECEIVER FREQUENCY RESPONSE  
**FIGURE 3**

**Impedance**

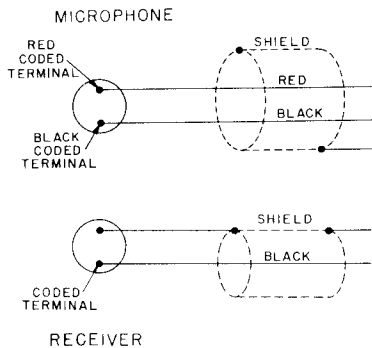
8 ohms at 1,000 Hz

**Phasing**

Positive voltage on cable conductor produces positive pressure

**Output Level (at 1,000 Hz)**

94 dB SPL at ear with 1 mW input



INTERNAL CONNECTIONS  
**FIGURE 4**

**GENERAL**

**Cable**

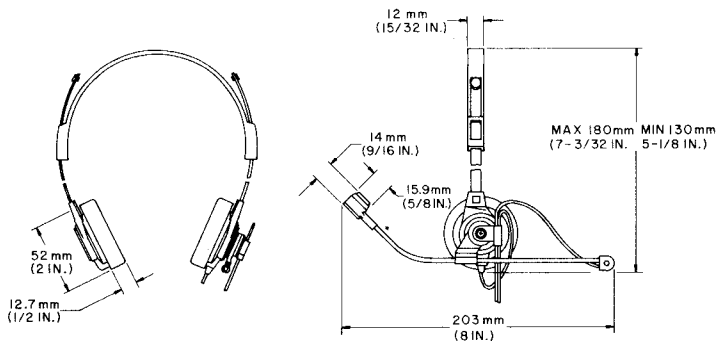
2.4m (8 ft) attached, two single-conductor shielded cables

**Headset**

Stainless steel and thermoplastic with foam earpads

**Dimensions**

See Figure 5



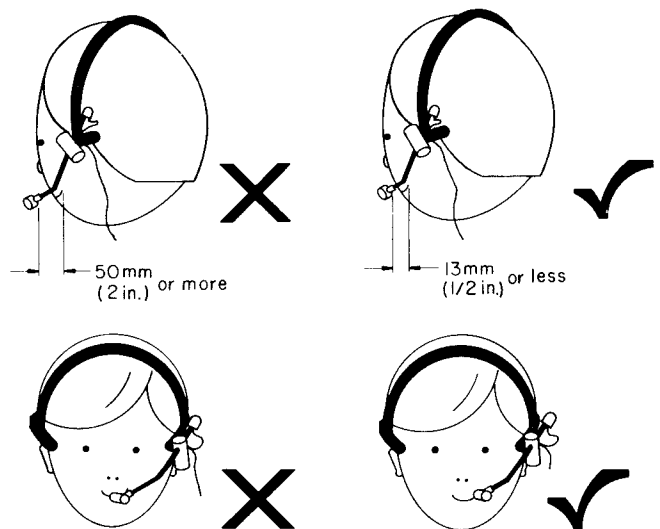
OVERALL DIMENSIONS  
**FIGURE 5**

**Net Weight**

90 grams (3.17 oz)

**USING THE MICROPHONE**

Snap the microphone boom into the rotating holder below the left earpiece. Put on the headset and adjust the earpads to the most comfortable position. (Remember that this headset is designed only for use with the microphone on the left side.) Slide and twist the microphone boom, and rotate its holder, until the microphone is located as close as possible to the left corner of the mouth (not directly in front). See Figure 6 for optimum microphone position.



LOCATE MICROPHONE AT CORNER OF MOUTH  
**FIGURE 6**

**GUARANTEE**

This Shure product is guaranteed in normal use to be free from electrical and mechanical defects for a period of one year from date of purchase. Please retain proof of purchase date. This guarantee includes all parts and labor. This guarantee is in lieu of any and all other guarantees or warranties, express or implied, and there shall be no recovery for any consequential or incidental damages.

**SHIPPING INSTRUCTIONS**

Carefully repack the unit, have it insured, and return it prepaid to:

Shure Brothers Incorporated  
Attention: Service Department  
222 Hartrey Avenue  
Evanston, Illinois 60202-3696

If outside the United States, return the unit to your dealer or Authorized Shure Service Center for repair. The unit will be returned to you prepaid.