



WA504

Universal Mounting Bracket

Shure online user guide for WA504 universal mounting bracket.
Version: 3.0 (2023-C)

Table of Contents

	General Description	3
WA504 Universal Mounting Bracket	3	

WA504

Universal Mounting Bracket

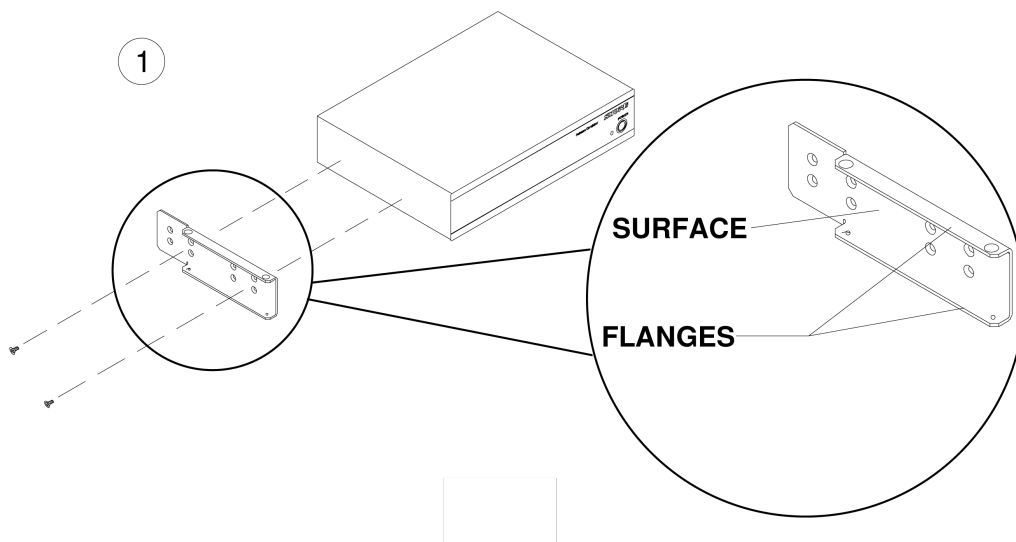
General Description

The WA504 is a universal mounting bracket used to connect two Shure products with different chassis configurations. It is a C-channel bracket with flanges that accommodates a variety of Shure mixers, transmitters and receivers.

To connect two Shure devices using the WA504, proceed as follows:

Position the bracket so it is flush to the side of the device with the side-mount chassis and install the supplied mounting screws, as in Step 1 below.

Connect the device with the top mount chassis to the bracket flanges using the supplied mounting screws, being sure both devices are facing the same direction, as in Step 2 below.



2

