
WA619 -- Battery Contact Cover

WA619 A/B/C Battery Contact Cover for ADX2 Transmitters

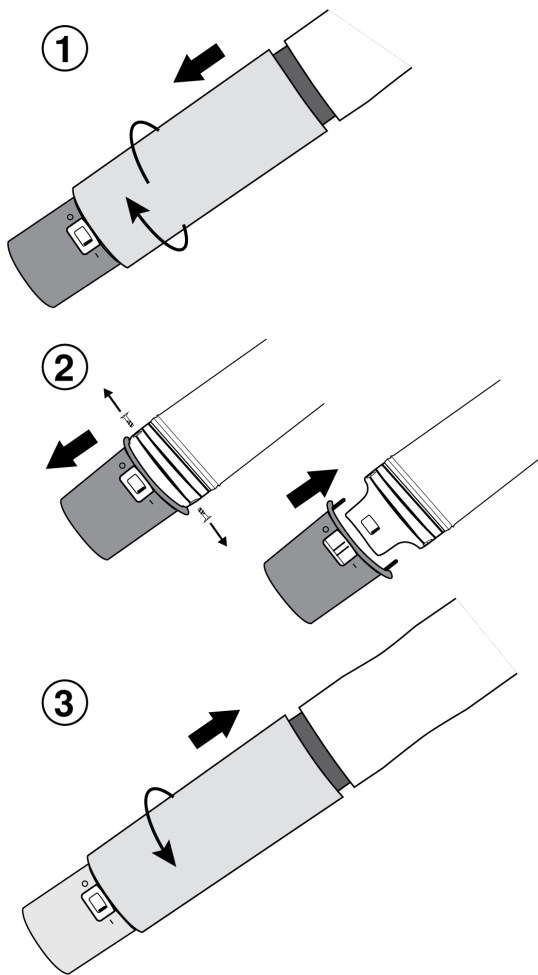
Use battery contact covers to prevent reflections from the battery contacts during broadcasts or live performances.

Choose the battery cover model that matches the frequency range of your transmitter:

Model Variation	Frequency Range
WA619A	470-636 MHz
WA619B	606-810 MHz
WA619C	750-960 MHz

Important: Cover installation must be performed by Shure service for transmitters in the JB band and G62 band.

1. Remove the transmitter handle.
2. Remove both screws securing the cover with a TR8 Tamper-Resistant TORX screwdriver.
3. Gently pull the cover to remove.
4. Align the antenna contacts and slide the battery cover into place.
5. Gently tighten the screws to secure the cover and replace the transmitter handle.**Note:** Only use screws provided by Shure.



Note: WA619 antenna covers are only compatible with ADX2 transmitters.